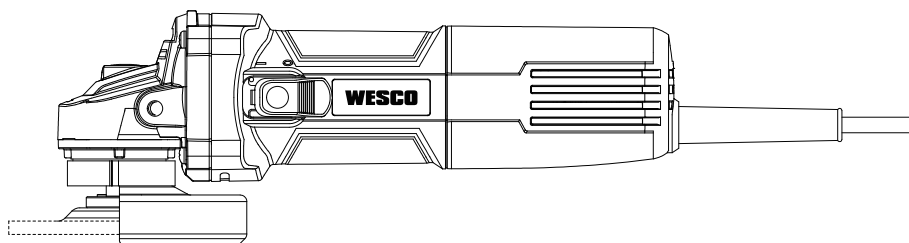


WESCO

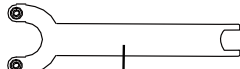
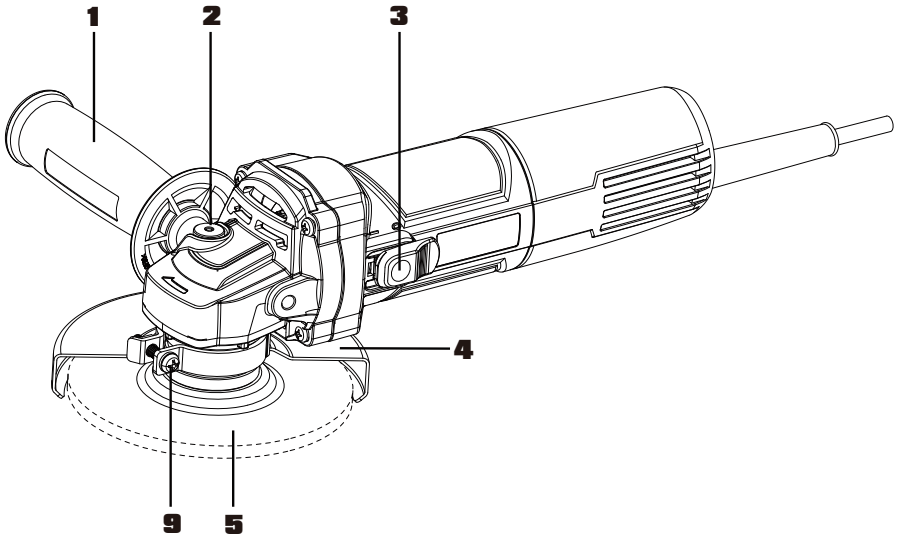


WS4750.1



• Angle grinder	EN	P06
• Winkelschleifer	DE	P13
• Meuleuse d'angle	FR	P20
• Smerigliatrice angolare	IT	P27
• Amoladora angular	ES	P34
• Ъглов шлайф	BG	P41

Original instructions	EN
Originalbetriebsanleitung	DE
Notice originale	FR
Istruzioni originali	IT
Manual original	ES
Оригинални инструкции	BG



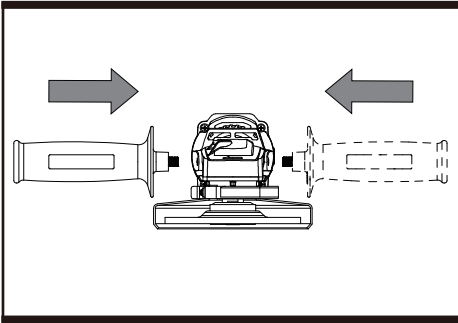


Fig.A

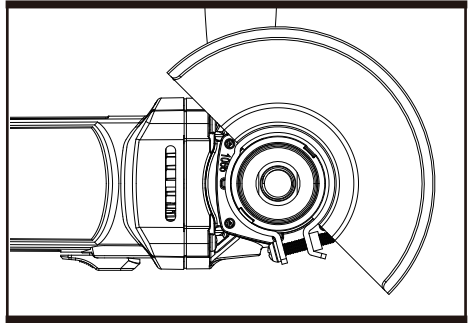


Fig.B1

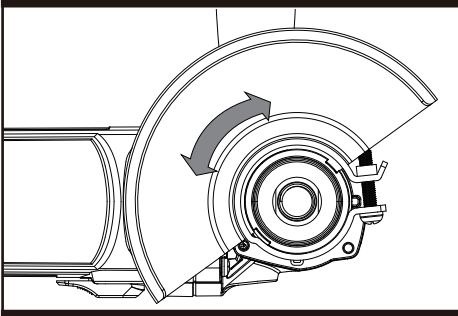


Fig.B2

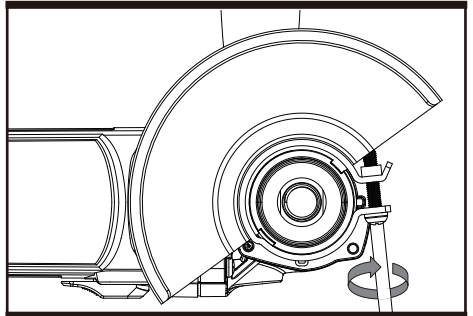


Fig.B3

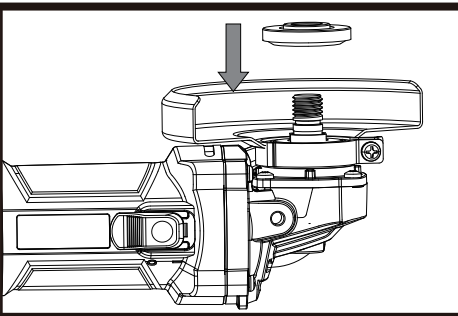


Fig.C1

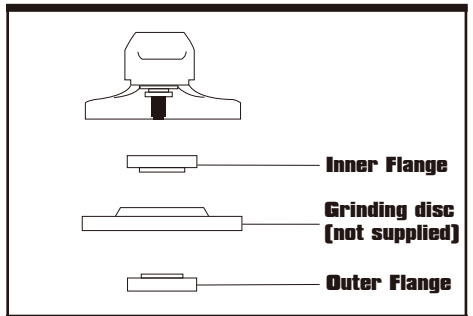


Fig.C2

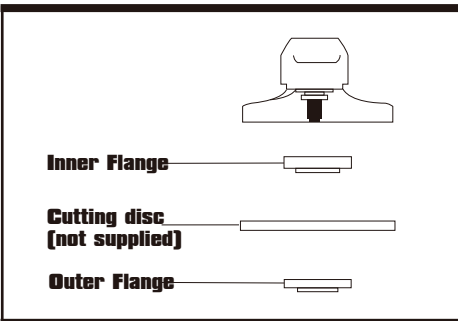


Fig.C3

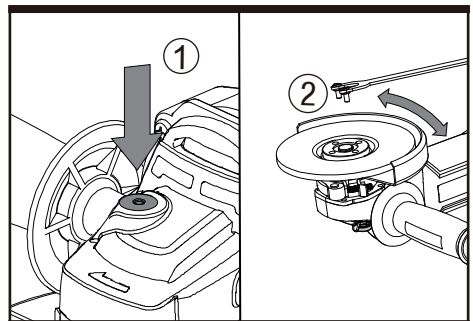


Fig.C4

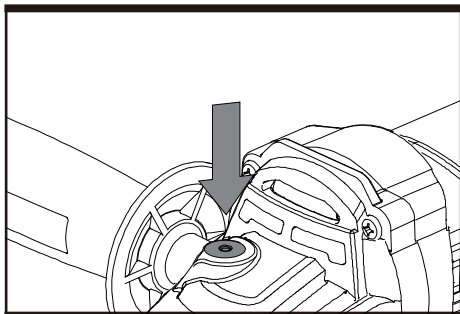


Fig.D

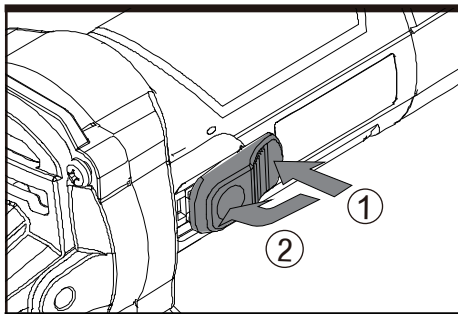


Fig.E

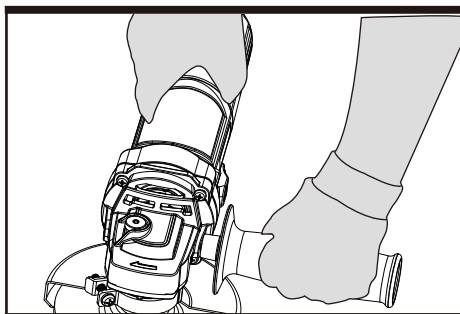


Fig.F

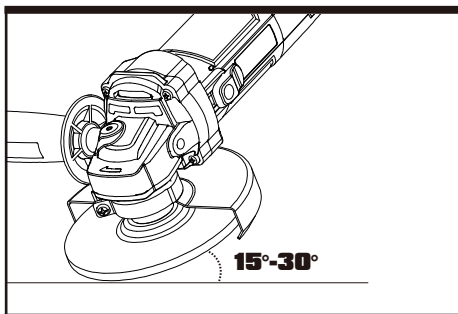


Fig.G

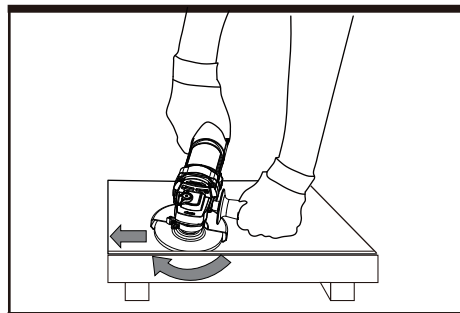


Fig.H

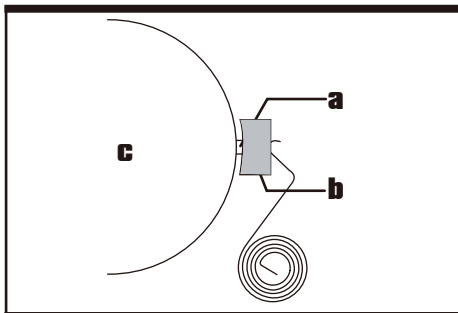


Fig.I

COMPONENT LIST

1. Auxiliary handle
2. Spindle locking button
3. On/Off switch
4. Wheel guard for grinding
5. Grinding disc *
6. Outer flange
7. Inner flange
8. Spanner
9. Clamping screw

* Not all the accessories illustrated or described are included in standard delivery.

TECHNICAL DATA

Type WS4750.1(47- designation of machinery, representative of angle grinder)

Rated voltage	220-240V~50/60Hz
Rated power	900W
Rated speed	12000 /min
Disc size	125 mm
Disc bore	22.2 mm
Spindle thread	M14
Protection class	□/II
Machine weight	1.8 kg

NOISE INFORMATION

A weighted sound pressure

A weighted sound power

$K_{pA} & K_{WA}$

Wear ear protection 

L_{pA} : 85 dB(A)

L_{WA} : 96 dB(A)

3.0dB(A)

VIBRATION INFORMATION

Vibration total values (triax vector sum) determined according to EN 60745:

surface grinding or abrasive cutting off	Vibration emission value $a_{h,AG} = 6.5 \text{ m/s}^2$
	Uncertainty $K = 1.5 \text{ m/s}^2$

– The declared vibration total value has been measured in accordance with a standard test method and may be used for comparing one tool with another;

– The declared vibration total value may also be used in a preliminary assessment of exposure.



WARNING: The vibration emission value during actual use of the power tool can differ from the declared value depending on the ways in which the tool is used dependant on the following examples and other variations on how the tool is used:

How the tool is used and the materials being cut.

The tool being in good condition and well maintained

The use the correct accessory for the tool and ensuring it is sharp and in good condition.

The tightness of the grip on the handles and if any anti vibration accessories are used.

And the tool is being used as intended by its design and these instructions.

This tool may cause hand-arm vibration syndrome if its use is not adequately managed.



WARNING: To be accurate, an estimation of exposure level in the actual conditions of use should also take account of all parts of the operating cycle such as the times when the tool is switched off and when it is running idle but not actually doing the job. This may significantly reduce the exposure level over the total working period.

Help to minimize your vibration exposure risk.

Maintain this tool in accordance with these instructions and keep well lubricated (where appropriate).

If the tool is to be used regularly then invest in anti vibration accessories.

Plan your work schedule to spread any high vibration tool use across a number of days.

ACCESSORIES

Auxiliary handle

Wheel guard for grinding

Spanner

1
1
1

We recommend that you purchase your accessories from the same store that sold you the tool. Use good quality accessories marked with a well-known brand name. Choose the type according to the work you intend to undertake. Refer to the accessory packaging for further details. Store personnel can assist you and offer advice.

PRODUCT SAFETY GENERAL POWER TOOL SAFETY WARNINGS



WARNING! Read all safety warnings and all instructions. Failure to follow the warnings and instructions may result in electric shock, fire and/or serious injury.

Save all warnings and instructions for future reference.

The term "power tool" in the warnings refers to your mains-operated (corded) power tool or battery-operated (cordless) power tool.

1. WORK AREA SAFETY

- Keep work area clean and well lit.** Cluttered or dark areas invite accidents.
- Do not operate power tools in explosive atmospheres, such as in the presence of flammable liquids, gases or dust.** Power tools create sparks which may ignite the dust or fumes.
- Keep children and bystanders away while operating a power tool.** Distractions can cause you to lose control.

2. ELECTRICAL SAFETY

- Power tool plugs must match the outlet. Never modify the plug in any way. Do not use any adapter plugs with earthed (grounded) power tools.** Unmodified plugs and matching outlets will reduce risk of electric shock.
- Avoid body contact with earthed or grounded surfaces, such as pipes, radiators, ranges and refrigerators.** There is an increased risk of electric shock if your body is earthed or grounded.
- Do not expose power tools to rain or wet conditions.** Water entering a power tool will increase the risk of electric shock.
- Do not abuse the cord. Never use the cord for carrying, pulling or unplugging the power tool. Keep cord away from heat, oil, sharp edges or moving parts. Damaged or entangled cords increase the risk of electric shock.**
- When operating a power tool outdoors, use an extension cord suitable for outdoor use.** Use of a cord suitable for outdoor use reduces the risk of electric shock.

- If operating a power tool in a damp location is unavoidable, use a residual current device (RCD) protected supply.** Use of an RCD reduces the risk of electric shock.

3. PERSONAL SAFETY

- Stay alert, watch what you are doing and use common sense when operating a power tool. Do not use a power tool while you are tired or under the influence of drugs, alcohol or medication.** A moment of inattention while operating power tools may result in serious personal injury.
- Use personal protective equipment. Always wear eye protection.** Protective equipment such as dust mask, non-skid safety shoes, hard hat, or hearing protection used for appropriate conditions will reduce personal injuries.
- Prevent unintentional starting. Ensure the switch is in the off-position before connecting to power source and/or battery pack, picking up or carrying the tool. Carrying power tools with your finger on the switch or energising power tools that have the switch on invites accidents.**
- Remove any adjusting key or wrench before turning the power tool on.** A wrench or a key left attached to a rotating part of the power tool may result in personal injury.
- Do not overreach. Keep proper footing and balance at all times.** This enables better control of the power tool in unexpected situations.
- Dress properly. Do not wear loose clothing or jewellery. Keep your hair, clothing and gloves away from moving parts.** Loose clothes, jewellery or long hair can be caught in moving parts.
- If devices are provided for the connection of dust extraction and collection facilities, ensure these are connected and properly used.** Use of dust collection can reduce dust-related hazards.

4. POWER TOOL USE AND CARE

- Do not force the power tool. Use the correct power tool for your application.** The correct power tool will do the job better and safer at the rate for which it was designed.
- Do not use the power tool if the switch does not turn it on and off.** Any power tool that cannot be controlled with the switch is dangerous and must be repaired.
- Disconnect the plug from the power source and/or the**

battery pack from the power tool before making any adjustments, changing accessories, or storing power tools. Such preventive safety measures reduce the risk of starting the power tool accidentally.

- d) Store idle power tools out of the reach of children and do not allow persons unfamiliar with the power tool or these instructions to operate the power tool. Power tools are dangerous in the hands of untrained users.
 - e) Maintain power tools. Check for misalignment or binding of moving parts, breakage of parts and any other condition that may affect the power tool's operation. If damaged, have the power tool repaired before use. Many accidents are caused by poorly maintained power tools.
 - f) Keep cutting tools sharp and clean. Properly maintained cutting tools with sharp cutting edges are less likely to bind and are easier to control.
 - g) Use the power tool, accessories and tool bits etc. in accordance with these instructions, taking into account the working conditions and the work to be performed. Use of the power tool for operations different from those intended could result in a hazardous situation.
5. SERVICE
- a) Have your power tool serviced by a qualified repair person using only identical replacement parts. This will ensure that the safety of the power tool is maintained.

SAFETY INSTRUCTIONS FOR ALL OPERATIONS

SAFETY WARNINGS COMMON FOR GRINDING OR ABRASIVE CUTTING-OFF OPERATIONS

- a) This power tool is intended to function as a grinder or cut-off tool. Read all safety warnings, instructions, illustrations and specifications provided with this power tool. Failure to follow all instructions listed below may result in electric shock, fire and/or serious injury.
- b) Operations such as sanding, wire brushing, polishing are not recommended to be performed with this power tool. Operations for which the power tool was not designed may create a hazard and cause personal injury.
- c) Do not use accessories which are not specifically designed and recommended by the tool manufacturer. Just because the accessory can be attached to your power tool, it does not assure safe operation.
- d) The rated speed of the accessory must be at least equal to the maximum speed marked on the power tool. Accessories running faster than their rated speed can break and fly apart.
- e) The outside diameter and the thickness of your accessory must be within the capacity rating of your power tool. Incorrectly sized accessories cannot be adequately guarded or controlled.
- f) Threaded mounting of accessories must match the grinder spindle thread. For accessories mounted by flanges, the arbour hole of the accessory must fit the locating diameter of the flange. Accessories that do not match the mounting hardware of the power tool will run out of balance, vibrate excessively and may cause loss of control.
- g) Do not use a damaged accessory. Before each use inspect the accessory such as abrasive wheels for chips and cracks, backing pad for cracks, tear or excess wear,

wire brush for loose or cracked wires. If power tool or accessory is dropped, inspect for damage or install an undamaged accessory. After inspecting and installing an accessory, position yourself and bystanders away from the plane of the rotating accessory and run the power tool at maximum no-load speed for one minute. Damaged accessories will normally break apart during this test time.

- h) Wear personal protective equipment. Depending on application, use face shield, safety goggles or safety glasses. As appropriate, wear dust mask, hearing protectors, gloves and workshop apron capable of stopping small abrasive or workpiece fragments. The eye protection must be capable of stopping flying debris generated by various operations. The dust mask or respirator must be capable of filtering particles generated by your operation. Prolonged exposure to high intensity noise may cause hearing loss.
- i) Keep bystanders a safe distance away from work area. Anyone entering the work area must wear personal protective equipment. Fragments of workpiece or of a broken accessory may fly away and cause injury beyond immediate area of operation.
- j) Hold the power tool by insulated gripping surfaces only, when performing an operation where the cutting tool may contact hidden wiring. Contact with a "live" wire will also make exposed metal parts of the power tool "live" and could give the operator an electric shock.
- k) Position the cord clear of the spinning accessory. If you lose control, the cord may be cut or snagged and your hand or arm may be pulled into the spinning accessory.
- l) Never lay the power tool down until the accessory has come to a complete stop. The spinning accessory may grab the surface and pull the power tool out of your control.
- m) Do not run the power tool while carrying it at your side. Accidental contact with the spinning accessory could snag your clothing, pulling the accessory into your body.
- n) Regularly clean the power tool's air vents. The motor's fan will draw the dust inside the housing and excessive accumulation of powdered metal may cause electrical hazards.
- o) Do not operate the power tool near flammable materials. Sparks could ignite these materials.
- p) Do not use accessories that require liquid coolants. Using water or other liquid coolants may result in electrocution or shock.
- q) Your hand must hold on the handle when you are working. Always use the auxiliary handles supplied with the tool. Loss of control can cause personal injury.

FURTHER SAFETY INSTRUCTIONS FOR ALL OPERATIONS

KICKBACK AND RELATED WARNINGS

Kickback is a sudden reaction to a pinched or snagged rotating wheel, backing pad, brush or any other accessory. Pinching or snagging causes rapid stalling of the rotating accessory which in turn causes the uncontrolled power tool to be forced in the direction opposite of the accessory's rotation at the point of the binding.

For example, if an abrasive wheel is snagged or pinched by the workpiece, the edge of the wheel that is entering into the pinch point can dig into the surface of the material causing the wheel to climb out or kick out. The wheel may either jump toward or

away from the operator, depending on direction of the wheel's movement at the point of pinching. Abrasive wheels may also break under these conditions. Kickback is the result of power tool misuse and/or incorrect operating procedures or conditions and can be avoided by taking proper precautions as given below.

- a) **Maintain a firm grip on the power tool and position your body and arm to allow you to resist kickback forces.** Always use auxiliary handle, if provided, for maximum control over kickback or torque reaction during start-up. *The operator can control torque reactions or kickback forces, if proper precautions are taken.*
- b) **Never place your hand near the rotating accessory.** *Accessory may kickback over your hand.*
- c) **Do not position your body in the area where power tool will move if kickback occurs.** *Kickback will propel the tool in direction opposite to the wheel's movement at the point of snagging.*
- d) **Use special care when working corners, sharp edges etc.** Avoid bouncing and snagging the accessory. *Corners, sharp edges or bouncing have a tendency to snag the rotating accessory and cause loss of control or kickback.*
- e) **Do not attach a saw chain woodcarving blade or toothed saw blade.** *Such blades create frequent kickback and loss of control.*

ADDITIONAL SAFETY INSTRUCTIONS FOR GRINDING AND CUTTING-OFF OPERATIONS

SAFETY WARNINGS SPECIFIC FOR GRINDING AND ABRASIVE CUTTING-OFF OPERATIONS:

- a) **Use only wheel types that are recommended for your power tool and the specific guard designed for the selected wheel.** *Wheels for which the power tool was not designed cannot be adequately guarded and are unsafe.*
- b) **The grinding surface of centre depressed wheels must be mounted below the plane of the guard lip.** *An improperly mounted wheel that projects through the plane of the guard lip cannot be adequately protected.*
- c) **The guard must be securely attached to the power tool and positioned for maximum safety, so the least amount of wheel is exposed towards the operator.** *The guard helps to protect the operator from broken wheel fragments, accidental contact with wheel and sparks that could ignite clothing.*
- d) **Wheels must be used only for recommended applications.** For example: **do not grind with the side of cut-off wheel.** *Abrasive cut-off wheels are intended for peripheral grinding, side forces applied to these wheels may cause them to shatter.*
- e) **Always use undamaged wheel flanges that are of correct size and shape for your selected wheel.** *Proper wheel flanges support the wheel thus reducing the possibility of wheel breakage. Flanges for cut-off wheels may be different from grinding wheel flanges.*
- f) **Do not use worn down wheels from larger power tools.** *Wheel intended for larger power tool is not suitable for the higher speed of a smaller tool and may burst.*

ADDITIONAL SAFETY WARNINGS SPECIFIC FOR ABRASIVE CUTTING-OFF OPERATIONS

- a) **Do not "jam" the cut-off wheel or apply excessive pressure. Do not attempt to make an excessive depth of cut.** *Overstressing the wheel increases the loading and susceptibility to twisting or binding of the wheel in the cut and the possibility of kickback or wheel breakage.*
- b) **Do not position your body in line with and behind the rotating wheel.** *When the wheel, at the point of operation, is moving away from your body, the possible kickback may propel the spinning wheel and the power tool directly at you.*
- c) **When wheel is binding or when interrupting a cut for any reason, switch off the power tool and hold the power tool motionless until the wheel comes to a complete stop. Never attempt to remove the cut-off wheel from the cut while the wheel is in motion otherwise kickback may occur.** *Investigate and take corrective action to eliminate the cause of wheel binding.*
- d) **Do not restart the cutting operation in the workpiece. Let the wheel reach full speed and carefully re-enter the cut.** *The wheel may bind, walk up or kickback if the power tool is restarted in the workpiece.*
- e) **Support panels or any oversized workpiece to minimize the risk of wheel pinching and kickback.** *Large workpieces tend to sag under their own weight. Supports must be placed under the workpiece near the line of cut and near the edge of the workpiece on both sides of the wheel.*
- f) **Use extra caution when making a "pocket cut" into existing walls or other blind areas.** *The protruding wheel may cut gas or water pipes, electrical wiring or objects that can cause kickback.*

SYMBOLS



To reduce the risk of injury, user must read instruction manual



Warning



Double insulation



Wear ear protection



Wear eye protection



Wear dust mask



Waste electrical products must not be disposed of with household waste. Please recycle where facilities exist. Check with your local authorities or retailer for recycling advice.

OPERATING INSTRUCTIONS



NOTE: Before using the tool, read the instruction book carefully.

INTENDED USE

The machine is intended for cutting, roughing and brushing metal and stone materials without using water. For cutting metal, a special protection guard for cutting (not supplied) must be used.

ASSEMBLY

1. INSTALLING AND ADJUSTING AUXILIARY HANDLE (SEE FIG. A)

You have the option of two working positions to provide the safest and most comfortable control of your angle grinder. The handle is screwed clockwise into either hole on the sides of the gear case.

NOTE: This handle should be used at all times to maintain complete control of the tool.

2. INSTALLING AND ADJUSTING THE WHEEL GUARD (SEE FIG. B1-B3)



WARNING: For work with grinding or cutting discs, the wheel guard must be mounted.

- Wheel Guard for Grinding

Align the projection on the guard with the indentation on the gear box. Put the Wheel Guard for Grinding down firmly.

Loosen the clamping screw, if necessary.

Place the wheel guard with coded projection into the coded groove on the spindle collar of the machine head and rotate to the required position (working position).

Tighten clamping screw.

NOTE: The closed side of the wheel guard must always point to the operator.

3. FITTING THE DISCS (NOT SUPPLIED) (SEE FIG. C1-C4)

Screw on the inner flange.

Pay attention to the dimensions of the grinding disc. The mounting hole diameter must fit the inner flange without play.

Do not use reducers or adapters.

When using a diamond cutting disc, take care that the direction-of-rotation arrow on the diamond cutting disc and the direction of rotation of the machine (direction-of-rotation arrow on the machine head) agree.

Place the disc on the tool spindle and inner flange. Ensure it is correctly located. Fit the threaded outer flange making sure it is facing in the correct direction for the type of disc fitted.

Screw on the outer flange.

4. SPINDLE LOCK BUTTON (SEE FIG. D)

Must only be used when changing a disc. Never press when the disc is rotating!

OPERATION

1. ON/OFF SWITCH (SEE FIG. E)

To start the power tool, first press the back of on/off switch, then push the on/off switch forward.

To lock the on/off switch, press the on/off switch down at the front until it engages.

To switch off the power tool, release the on/off Switch or, if it is locked, briefly push down the back of the on/off Switch and then release it.

2. HAND GRIP AREAS (SEE FIG. F)

Always hold your angle grinder firmly with both hands when operating.

3. TO USE THE GRINDER (SEE FIG. G)



ATTENTION: Do not switch the grinder on whilst the disc is in contact with the workpiece. Allow the disc to reach full speed before starting to grind.

Hold your angle grinder with one hand on the main handle and other hand firmly around the auxiliary handle.

Always position the guard so that as much of the exposed disc as possible is pointing away from you.

Be prepared for a stream of sparks when the disc touches the metal.

For best tool control, material removal and minimum overloading, maintain an angle between the disc and work surface of approximately 15°-30° when grinding.

Use caution when working into corners as contact with the intersecting surface may cause the grinder to jump or twist.

When grinding is complete allow the workpiece to cool. Do not touch the hot surface.

4. CUTTING (SEE FIG. H)



WARNING! For cutting metal, always work with the wheel guard for cutting (not supplied).

When cutting, do not press, tilt or oscillate the tool.

Work with moderate feed, adapted to the material being cut.

Do not reduce the speed of running down cutting discs by applying sideward pressure.

The direction in which the cutting is performed is important.

The tool must always work in an up-grinding motion.

Therefore, never move the tool in the other direction! Otherwise, the danger exists of it being pushed uncontrolled out of the cut.

5. AUTO-STOP CARBON BRUSHES (SEE FIG. I)

Before any work on the machine itself, pull the mains plug.

When the resin insulating tip inside the carbon brush is exposed to contact the commutator, it will automatically shut off the motor.

When this occurs, both carbon brushes should be replaced. Keep the carbon brushes clean and free to slip in the holders. Both carbon brushes should be replaced at the same time. Use only identical carbon brushes.

6. OVERLOAD

Overloading will cause damage to the motor of your angle grinder.

This can happen if your angle grinder is subjected to heavy use for prolonged periods of time.

Never attempt to exert too much pressure on your angle grinder to speed up your work.

The abrasive discs operate more efficiently when light pressure is exerted, thus avoiding a drop in the speed of your angle grinder.

If your angle grinder becomes too hot, run it no load for 2-3 minutes until it has cooled to normal operation temperature.

7. POWER OUTAGE PROTECTION

When the power supply suddenly cuts off, the machine will stop.

When the power is turned on after a power outage, the machine will not start by itself, you need to release the switch and restart the machine.

WORKING HINTS FOR YOUR ANGLE GRINDER

1. Always start at no load to achieve maximum speed then start working.
2. Do not force the disc to work faster, reducing the Disc's moving speed means longer working time.
3. Always work with a 15-30 angle between disc and workpiece.

Larger angles will cut ridges into the workpiece and affect the surface finish. Move the angle grinder across and back and forth over the workpiece.

- When using a cutting disc never change the cutting angle otherwise you will stall the disc and angle grinder motor or break the disc. When cutting, only cut in the opposite direction to the disc rotation. If you cut in the same direction as the disc rotation the disc may push itself out of the cut slot.
- When cutting very hard material best results can be achieved with a diamond disc.
- When using a diamond disc it will become very hot. If this happens you will see a full ring of sparks around the rotating disc. Stop cutting and allow to cool at no load speed for 2-3 minutes.
- Always ensure the workpiece is firmly held or clamped to prevent movement.

MAINTENANCE

Remove the plug from the socket before carrying out any adjustment, servicing or maintenance.

There are no user serviceable parts in your power tool. Never use water or chemical cleaners to clean your power tool. Wipe clean with a dry cloth. Always store your power tool in a dry place. Keep the motor ventilation slots clean. Keep all working controls free of dust. Occasionally you may see sparks through the ventilation slots. This is normal and will not damage your power tool. If the supply cord is damaged, it must be replaced by the manufacturer, its service agent or similarly qualified persons in order to avoid a hazard.

ENVIRONMENTAL PROTECTION



Waste electrical products must not be disposed of with household waste. Please recycle where facilities exist. Check with your local authorities or retailer for recycling advice.

TROUBLESHOOTING

Although your new angle grinder is really very simple to operate, if you do experience problems, please check the following:

- If your grinder will not operate check the power at the main plug.
- If your grinder wheel wobbles or vibrates, check that outer flange is tight; check that the wheel is correctly located on the flange plate.
- If there is any evidence that the wheel is damaged do not use as the damaged wheel may disintegrate, remove it and replace with a new wheel. Dispose of old wheels sensibly.
- If working on aluminum or a similar soft alloy, the wheel will soon become clogged and will not grind effectively.
- If a fault cannot be rectified, return the tool to an authorized dealer or its service agent for repair.

PLUG REPLACEMENT (ONLY FOR REWIRABLE PLUG OF UK & IRELAND)

If you need to replace the fitted plug then follow the instructions below.

IMPORTANT

The wires in the mains lead are colored in accordance with the following code:

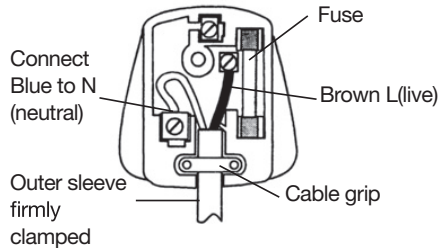
Blue = Neutral
Brown = Live

As the colors of the wires in the mains lead of this appliance may not correspond with the colored markings identifying the terminals in your plug, proceed as follows. The wire which is colored blue must be connected to the terminal which is marked with N. The wire which is colored brown must be connected to the terminal which is marked with L.

Warning!

Never connect live or neutral wires to the earth terminal of the plug. Only fit an approved BS1363/A plug and the correct rated fuse.

Note: If a moulded plug is fitted and has to be removed take great care in disposing of the plug and severed cable, it must be destroyed to prevent engaging into a socket.



DECLARATION OF CONFORMITY

We,
POSITEC Germany GmbH
Postfach 32 02 16, 50796 Cologne, Germany

Declare that the product
Description **Angle Grinder**
Type **WS4750.1 (47- designation of machinery, representative of Angle Grinder)**
Function **peripheral and lateral grinding**

Complies with the following directives,
2006/42/EC, 2011/65/EU & (EU)2015/863, 2014/30/EU

Standards conform to
EN 55014-1, EN 55014-2, EN IEC 61000-3-2, EN 61000-3-3, EN 60745-1, EN 60745-2-3

The person authorized to compile the technical file,
Name Marcel Filz
Address POSITEC Germany GmbH
Postfach 32 02 16, 50796 Cologne, Germany



2023/05/05
Allen Ding
Deputy Chief Engineer, Testing & Certification
Positec Technology (China) Co., Ltd
18, Dongwang Road, Suzhou Industrial
Park, Jiangsu 215123, P. R. China

DECLARATION OF CONFORMITY(UK)

We,
Positec Power Tools (Europe) Ltd,
PO Box 6242, Newbury, RG14 9LT, UK

On behalf of Positec declare that the product
Description **Angle Grinder**
Type **WS4750.1 (47- designation of machinery, representative of Angle Grinder)**
Function **peripheral and lateral grinding**

Complies with the following regulations:
Supply of Machinery (Safety) Regulations 2008
Electromagnetic Compatibility Regulations 2016
The Restriction of the Use of Certain Hazardous Substances in Electrical and Electronic Equipment Regulations

Standards conform to
BS EN 60745-1, BS EN 60745-2-3, BS EN 55014-1, BS EN 55014-2, BS EN IEC 61000-3-2, BS EN 61000-3-3

The person authorized to compile the technical file,
Name Jim Kirkwood
Address Positec Power Tools (Europe) Ltd,
PO Box 6242, Newbury, RG14 9LT, UK



2023/05/05
Allen Ding
Deputy Chief Engineer, Testing & Certification
Positec Technology (China) Co., Ltd
18, Dongwang Road, Suzhou Industrial
Park, Jiangsu 215123, P. R. China

KOMPONENTEN

1. Hilfsgriff
2. Spindelarretierungsknopf
3. Ein/Aus-Schalter
4. Scheibenschutz für schleifen
5. Schleifscheibe*
6. Ausßenflansch
7. Innerer flansch
8. Schlüssel
9. Klemmschraube

* Nicht alle abgebildeten oder beschriebenen Zubehörteile sind in der Standardlieferung enthalten.

TECHNISCHE DATEN

Typ WS4750.1(47- Bezeichnung der Maschine, repräsentiert die Winkelschleifer)

Nennspannung	220-240V~50/60Hz
Nennaufnahme	900W
Nenn Drehzahl	12000 /min
Scheiben	125 mm
Scheibenbohrung	22.2 mm
Schleifspindelgewinde	M14
Schutzklasse	□/II
Gewicht	1.8 kg

INFORMATIONEN ÜBER LÄRM

Gewichteter Schalldruck

Gewichtete Schalleistung

K_{PA} & K_{WA}

Tragen Sie einen Gehörschutz 

L_{PA} : 85 dB(A)

L_{WA} : 96 dB(A)

3.0dB(A)

INFORMATIONEN ÜBER VIBRATIONEN

Vibrations Gesamt Messwertermittlung gemäß EN 60745:

Planschleifen oder Trennschleifen

Vibrationsemissionswert $a_{h,AG} = 6.5 \text{ m/s}^2$

Unsicherheit $K = 1.5 \text{ m/s}^2$

- Der deklarierte Gesamtschwingungswert wurde nach Standardtestmethoden gemessen und kann verwendet werden, um ein Werkzeug mit einem anderen Werkzeug zu vergleichen.

- Der angegebene Gesamtschwingungswert kann auch für die vorläufige Expositionsabschätzung verwendet werden.



WARNUNG: Der Vibrationsemissionswert während des tatsächlichen Gebrauchs des Elektrowerkzeugs kann vom angegebenen Wert abweichen, je nachdem, wie das Werkzeug gemäß folgender Beispiele und anderweitiger Verwendungsmöglichkeiten eingesetzt wird:

Wie das Werkzeug verwendet wird und Materialien geschnitten oder angebohrt werden.

Das Werkzeug ist in gutem Zustand und gut gepflegt

Verwendung des richtigen Zubehörs für das Werkzeug und Gewährleistung seiner Schärfe und seines guten Zustands.

Die Festigkeit der Handgriffe und ob Antivibrationszubehör verwendet wird.

Und ob das verwendete Werkzeug dem Design und diesen Anweisungen entsprechend verwendet wird.

Wird dieses Werkzeug nicht anemessen gehandhabt, kann es ein Hand-Arm-Vibrationssyndrom erzeugen.



WARNUNG: Um genau zu sein, sollte eine Abschätzung des Belastungsgrades aller Arbeitsabschnitte während tatsächlicher Verwendung berücksichtigt werden, z.B. die Zeiten, wenn das Werkzeug ausgeschaltet ist, und wenn es sich im Leerlauf befindet und eigentlich nicht eingesetzt wird. Auf diese Weise kann der Belastungsgrad während der gesamten Arbeitszeit wesentlich gemindert werden. Minimieren Sie Ihr Risiko, dem Sie bei Vibrationen ausgesetzt sind.
Pflegen Sie dieses Werkzeug diesen Anweisungen entsprechend und achten Sie auf eine gute Einfettung (wo erforderlich).
Bei regelmäßiger Verwendung dieses Werkzeugs sollten Sie in Antivibrationszubehör investieren.
Machen Sie einen Arbeitsplan, um die Verwendung von hochvibrierenden Werkzeugen auf mehrere Tage zu verteilen.

ZUBEHÖRTEILE

Zusatzhandgriffe	1
Schleif-Schutzhaube	1
Schlüssel	1

Wir empfehlen Ihnen, sämtliche Zubehörteile beim selben Fachhändler zu beziehen, bei dem Sie auch Ihr Elektrowerkzeug gekauft haben. Weitere Informationen finden Sie auf der Verpackung der Zubehörteile. Auch Ihr Fachhändler berät Sie gerne.

PRODUKTSICHERHEIT ALLGEMEINE SICHERHEITSHINWEISE FÜR ELEKTROWERKZEUGE



WARNUNG! Lesen Sie alle Sicherheitshinweise und Anweisungen. Versäumnisse bei der Einhaltung der Sicherheitshinweise und Anweisungen können elektrischen Schlag, Brand und/oder schwere Verletzungen verursachen.

Bewahren Sie alle Sicherheitshinweise und Anweisungen für die Zukunft auf.

Der in den Sicherheitshinweisen verwendete Begriff „Elektrowerkzeug“ bezieht sich auf akkubetriebene Elektrowerkzeuge (ohne Netzkabel).

1. ARBEITSPLATZSICHERHEIT

- Halten Sie Ihren Arbeitsbereich sauber und gut beleuchtet. Unordnung oder unbeleuchtete Arbeitsbereiche können zu Unfällen führen.
- Arbeiten Sie mit dem Elektrowerkzeug nicht in explosionsgefährdeter Umgebung, in der sich brennbare Flüssigkeiten, Gase oder Stäube befinden. Elektrowerkzeuge erzeugen Funken, die den Staub oder die Dämpfe entzünden können.
- Halten Sie Kinder und andere Personen während der Benutzung des Elektrowerkzeugs fern. Bei Ablenkung können Sie die Kontrolle über das Gerät verlieren.

2. ELEKTRISCHE SICHERHEIT

- Der Anschlussstecker des Elektrowerkzeugs muss in die Steckdose passen. Der Stecker darf in keiner Weise verändert werden. Verwenden Sie keine Adapterstecker gemeinsam mit geschützten Elektrowerkzeugen. Unveränderte Stecker und passende Steckdosen verringern das Risiko eines elektrischen Schlags.
- Vermeiden Sie Körperkontakt mit geerdeten Oberflächen wie von Rohren, Heizungen, Herden und Kühlschränken. Es besteht ein erhöhtes Risiko durch elektrischen Schlag, wenn Ihr Körper geerdet ist.
- Halten Sie Elektrowerkzeuge von Regen oder Nässe fern. Das Eindringen von Wasser in ein Elektrowerkzeug erhöht das Risiko eines elektrischen Schlags.

- Zweckentfremden Sie das Kabel nicht, um das Elektrowerkzeug zu tragen, aufzuhängen oder um den Stecker aus der Steckdose zu ziehen. Halten Sie das Kabel fern von Hitze, Öl, scharfen Kanten oder sich bewegenden Geräteteilen. Beschädigte oder verwickelte Kabel erhöhen das Risiko eines elektrischen Schlags.
 - Wenn Sie mit einem Elektrowerkzeug im Freien arbeiten, verwenden Sie nur Verlängerungskabel, die auch für den Außenbereich geeignet sind. Die Anwendung eines für den Außenbereich geeigneten Verlängerungskabels verringert das Risiko eines elektrischen Schlags.
 - Wenn der Betrieb des Elektrowerkzeugs in feuchter Umgebung nicht vermeidbar ist, verwenden Sie einen Fehlerstromschutzschalter. Der Einsatz eines Fehlerstromschutzschalters vermindert das Risiko eines elektrischen Schlags.
- ### 3. SICHERHEIT VON PERSONEN
- Seien Sie aufmerksam, achten Sie darauf, was Sie tun, und gehen Sie mit Vernunft an die Arbeit mit einem Elektrowerkzeug. Benutzen Sie kein Elektrowerkzeug, wenn Sie müde sind oder unter dem Einfluss von Drogen, Alkohol oder Medikamenten stehen. Ein Moment der Unachtsamkeit beim Gebrauch des Elektrowerkzeugs kann zu ernsthaften Verletzungen führen.
 - Tragen Sie persönliche Schutzausrüstung und immer eine Schutzbrille. Das Tragen persönlicher Schutzausrüstung, wie Staubmaske, rutschfeste Sicherheitsschuhe, Schutzhelm oder Gehörschutz, je nach Art und Einsatz des Elektrowerkzeugs, verringert das Risiko von Verletzungen.
 - Vermeiden Sie eine unbeabsichtigte Inbetriebnahme. Vergewissern Sie sich, dass das Elektrowerkzeug ausgeschaltet ist, bevor Sie es an den Akku anschließen, es aufnehmen oder tragen. Wenn Sie beim Tragen des Elektrowerkzeugs den Finger am Schalter haben oder das Gerät eingeschaltet an die Stromversorgung anschließen, kann dies zu Unfällen führen.
 - Entfernen Sie Einstellwerkzeuge oder Schraubenschlüssel, bevor Sie das Elektrowerkzeug einschalten. Ein Werkzeug oder Schlüssel, der sich in einem drehenden Geräteteil befindet, kann zu Verletzungen führen.
 - Vermeiden Sie eine abnormale Körperhaltung. Sorgen Sie für einen sicheren Stand und halten Sie jederzeit das Gleichgewicht. Dadurch können Sie das Elektrowerkzeug in

unerwarteten Situationen besser kontrollieren.

- f) Tragen Sie geeignete Kleidung. Tragen Sie keine weite Kleidung oder Schmuck. Halten Sie Haare, Kleidung und Handschuhe fern von sich bewegenden Teilen. Lockere Kleidung, Schmuck oder lange Haare können von sich bewegenden Teilen erfasst werden.
- g) Wenn Staubabsaug- und -auffangeinrichtungen montiert werden können, vergewissern Sie sich, dass diese angeschlossen sind und richtig verwendet werden. Verwendung einer Staubabsaugung kann Gefährdungen durch Staub verringern.

4. VERWENDUNG UND BEHANDLUNG DES ELEKTROWERKZEUGES

- a) Überlasten Sie das Gerät nicht. Verwenden Sie für Ihre Arbeit das dafür bestimmte Elektrowerkzeug. Mit dem passenden Elektrowerkzeug arbeiten Sie besser und sicherer im angegebenen Leistungsbereich.
- b) Benutzen Sie kein Elektrowerkzeug, dessen Schalter defekt ist. Ein Elektrowerkzeug, das sich nicht mehr ein- oder ausschalten lässt, ist gefährlich und muss repariert werden.
- c) Entfernen Sie den Akku, bevor Sie Geräteeinstellungen vornehmen, Zubehörteile wechseln oder das Gerät weglegen. Diese Vorsichtsmaßnahme verhindert den unbeabsichtigten Start des Elektrowerkzeuges.
- d) Bewahren Sie unbenutzte Elektrowerkzeuge außerhalb der Reichweite von Kindern auf. Lassen Sie Personen das Gerät nicht benutzen, die mit diesem nicht vertraut sind oder diese Anweisungen nicht gelesen haben. Elektrowerkzeuge sind gefährlich, wenn Sie von unerfahrenen Personen benutzt werden.
- e) Pflegen Sie Elektrowerkzeuge mit Sorgfalt. Kontrollieren Sie, ob bewegliche Teile einwandfrei funktionieren und nicht klemmen, ob Teile gebrochen oder so beschädigt sind, dass die Funktion des Elektrowerkzeuges beeinträchtigt ist. Lassen Sie beschädigte Teile vor dem Einsatz des Gerätes reparieren. Viele Unfälle haben ihre Ursache in schlecht gewarteten Elektrowerkzeugen.
- f) Halten Sie Schneidwerkzeuge scharf und sauber. Sorgfältig gepflegte Schneidwerkzeuge mit scharfen, Schneidkanten verklemmen sich weniger und sind leichter zu führen.
- g) Verwenden Sie Elektrowerkzeug, Zubehör, Einsatzwerkzeuge usw. entsprechend diesen Anweisungen. Berücksichtigen Sie dabei die Arbeitsbedingungen und die auszuführende Tätigkeit. Der Gebrauch von Elektrowerkzeugen für andere als die vorgesehenen Anwendungen kann zu gefährlichen Situationen führen.

5. SERVICE

- a) Lassen Sie Ihr Elektrowerkzeug nur von qualifiziertem Fachpersonal und nur mit Original-Ersatzteilen reparieren. Damit wird sichergestellt, dass die Sicherheit des Gerätes erhalten bleibt.

SICHERHEITSHINWEISE FÜR ALLE ANWENDUNGEN

GEMEINSAME WARNHINWEISE ZUM SCHLEIFEN, TRENNSCHLEIFEN.:

- a) Dieses Elektrowerkzeug ist zu verwenden als Schleifer, Trennschleifmaschine. Beachten Sie alle Warnhinweise, Anweisungen, Darstellungen und Daten, die Sie mit dem Gerät erhalten. Wenn Sie die folgenden Anweisungen nicht beachten, kann es zu elektrischem Schlag, Feuer und/oder

schweren Verletzungen kommen.

- b) Dieses Elektrowerkzeug ist nicht geeignet zum Sandpapierschleifen, Arbeiten mit Drahtbürsten, Polieren. Verwendungen, für die das Elektrowerkzeug nicht vorgesehen ist, können Gefährdungen und Verletzungen verursachen.
- c) Verwenden Sie kein Zubehör, das vom Hersteller nicht speziell für dieses Elektrowerkzeug vorgesehen und empfohlen wurde. Nur weil Sie das Zubehör an Ihrem Elektrowerkzeug befestigen können, garantiert das keine sichere Verwendung.
- d) Die zulässige Drehzahl des Einsatzwerkzeuges muss mindestens so hoch sein wie die auf dem Elektrowerkzeug angegebene Höchstdrehzahl. Zubehör, das sich schneller als zulässig dreht, kann zerstört werden.
- e) Außendurchmesser und Dicke des Einsatzwerkzeuges müssen den Maßangaben Ihres Elektrowerkzeuges entsprechen. Falsch bemessene Einsatzwerkzeuge können nicht ausreichend abgeschirmt oder kontrolliert werden.
- f) Einsatzwerkzeuge mit Gewindeinsatz müssen genau auf das Gewinde der Schleifspindel passen. Bei Einsatzwerkzeugen, die mittels Flansch montiert werden, muss der Lochdurchmesser des Einsatzwerkzeuges zum Aufnahmedurchmesser des Flansches passen. Einsatzwerkzeuge, die nicht genau am Elektrowerkzeug befestigt werden, drehen sich ungleichmäßig, vibrieren sehr stark und können zum Verlust der Kontrolle führen.
- g) Verwenden Sie keine beschädigten Einsatzwerkzeuge. Kontrollieren Sie vor jeder Verwendung Einsatzwerkzeuge wie Schleifscheiben auf Absplittungen und Risse, Schleifteller auf Risse, Verschleiß oder starke Abnutzung. Wenn das Elektrowerkzeug oder das Einsatzwerkzeug herunterfällt, überprüfen Sie, ob es beschädigt ist, oder verwenden Sie ein unbeschädigtes Einsatzwerkzeug. Wenn Sie das Einsatzwerkzeug kontrolliert und eingesetzt haben, halten Sie und in der Nähe befindliche Personen sich außerhalb der Ebene des rotierenden Einsatzwerkzeuges und lassen Sie das Gerät eine Minute lang mit Höchstdrehzahl laufen. Beschädigte Einsatzwerkzeuge brechen meist in dieser Testzeit.
- h) Tragen Sie persönliche Schutzausrüstung. Verwenden Sie je nach Anwendung Vollgesichtsschutz, Augenschutz oder Schutzbrille. Soweit angemessen, tragen Sie Staubmaske, Gehörschutz, Schutzhandschuhe oder Spezialschürze, die kleine Schleif- und Materialpartikel von Ihnen fernhält. Die Augen sollen vor herumfliegenden Fremdkörpern geschützt werden, die bei verschiedenen Anwendungen entstehen. Staub- oder Atemschutzmaske müssen den bei der Anwendung entstehenden Staub filtern. Wenn Sie lange lautem Lärm ausgesetzt sind, können Sie einen Hörverlust erleiden.
- i) Achten Sie bei anderen Personen auf sicheren Abstand zu Ihrem Arbeitsbereich. Jeder, der den Arbeitsbereich betritt, muss persönliche Schutzausrüstung tragen. Bruchstücke des Werkstücks oder gebrochener Einsatzwerkzeuge können wegfliegen und Verletzungen auch außerhalb des direkten Arbeitsbereichs verursachen.
- j) Halten Sie das Gerät nur an den isolierten Griffflächen, wenn Sie Arbeiten ausführen, bei denen das Einsatzwerkzeug verborgene Stromleitungen. Der Kontakt mit einer spannungsführenden Leitung kann auch metallene Gerateteile unter Spannung setzen und zu einem elektrischen Schlag führen.

- k) **Halten Sie das Netzkabel von sich drehenden Einsatzwerkzeugen fern.** Wenn Sie die Kontrolle über das Gerät verlieren, kann das Netzkabel durchtrennt oder erfasst werden und Ihre Hand oder Ihr Arm in das sich drehende Einsatzwerkzeug geraten.
- l) **Legen Sie das Elektrowerkzeug niemals ab, bevor das Einsatzwerkzeug völlig zum Stillstand gekommen ist.** Das sich drehende Einsatzwerkzeug kann in Kontakt mit der Ablagefläche geraten, wodurch Sie die Kontrolle über das Elektrowerkzeug verlieren können.
- m) **Lassen Sie das Elektrowerkzeug nicht laufen, während Sie es tragen.** Ihre Kleidung kann durch zufälligen Kontakt mit dem sich drehenden Einsatzwerkzeug erfasst werden, und das Einsatzwerkzeug sich in Ihren Körper bohren.
- n) **Reinigen Sie regelmäßig die Lüftungsschlitze Ihres Elektrowerkzeugs.** Das Motorgebläse zieht Staub in das Gehäuse, und eine starke Ansammlung von Metallstaub kann elektrische Gefahren verursachen.
- o) **Verwenden Sie das Elektrowerkzeug nicht in der Nähe brennbarer Materialien.** Funken können diese Materialien entzünden.
- p) **Verwenden Sie keine Einsatzwerkzeuge, die flüssige Kühlmittel erfordern.** Die Verwendung von Wasser oder anderen flüssigen Kühlmitteln kann zu einem elektrischen Schlag führen.
- q) Ihre Hand muss den Griff während der Arbeit festhalten. Verwenden Sie immer die dem Werkzeug mitgelieferten Hilfsgriffe. Kontrollverlust kann Körperverletzungen verursachen.

WEITERE SICHERHEITSHINWEISE FÜR ALLE ANWENDUNGEN

RÜCKSCHLAG UND ENTSPRECHENDE WARNHINWEISE

Rückschlag ist die plötzliche Reaktion infolge eines hakenden oder blockierten drehenden Einsatzwerkzeugs, wie Schleifscheibe, Schleifteller, Drahtbürste usw. Verhaken oder Blockieren führt zu einem abrupten Stopp des rotierenden Einsatzwerkzeugs. Dadurch wird ein unkontrolliertes Elektrowerkzeug gegen die Drehrichtung des Einsatzwerkzeugs an der Blockierstelle beschleunigt.

Wenn z. B. eine Schleifscheibe im Werkstück hakt oder blockiert, kann sich die Kante der Schleifscheibe, die in das Werkstück eintaucht, verfangen und dadurch die Schleifscheibe ausbrechen oder einen Rückschlag verursachen. Die Schleifscheibe bewegt sich dann auf die Bedienperson zu oder von ihr weg, je nach Drehrichtung der Scheibe an der Blockierstelle. Hierbei können Schleifscheiben auch brechen.

Ein Rückschlag ist die Folge eines falschen oder fehlerhaften Gebrauchs des Elektrowerkzeugs. Er kann durch geeignete Vorsichtsmaßnahmen, wie nachfolgend beschrieben, verhindert werden.

- a) **Halten Sie das Elektrowerkzeug gut fest und bringen Sie Ihren Körper und Ihre Arme in eine Position, in der Sie die Rückschlagkräfte abfangen können.** Verwenden Sie immer den Zusatzgriff, falls vorhanden, um die größtmögliche Kontrolle über Rückschlagkräfte oder Reaktionsmomente beim Hochlauf zu haben. Die Bedienperson kann durch geeignete Vorsichtsmaßnahmen die Rückschlag- und Reaktionskräfte beherrschen.
- b) **Bringen Sie Ihre Hand nie in die Nähe sich drehender Einsatzwerkzeuge.** Das Einsatzwerkzeug kann sich beim Rückschlag über Ihre Hand bewegen.

- c) **Meiden Sie mit Ihrem Körper den Bereich, in den das Elektrowerkzeug bei einem Rückschlag bewegt wird.** Der Rückschlag treibt das Elektrowerkzeug in die Richtung entgegengesetzt zur Bewegung der Schleifscheibe an der Blockierstelle.
- d) **Arbeiten Sie besonders vorsichtig im Bereich von Ecken, scharfen Kanten usw. Verhindern Sie, dass Einsatzwerkzeuge vom Werkstück zurückprallen und verklebmen.** Das rotierende Einsatzwerkzeug neigt bei Ecken, scharfen Kanten oder wenn es abprallt, dazu, sich zu verklebmen. Dies verursacht einen Kontrollverlust oder Rückschlag.
- e) **Verwenden Sie kein Ketten- oder gezähntes Sägeblatt.** Solche Einsatzwerkzeuge verursachen häufig einen Rückschlag oder den Verlust der Kontrolle über das Elektrowerkzeug.

ZUSÄTZLICHE SICHERHEITSHINWEISE FÜR SCHLEIF- UND SCHNEID-OFF-OPERATIONEN

BESONDERE SICHERHEITSHINWEISE ZUM SCHLEIFEN UND TRENNSCHLEIFEN:

- a) **Verwenden Sie ausschließlich die für Ihr Elektrowerkzeug zugelassenen Schleifkörper und die für diese Schleifkörper vorgesehene Schutzhaube.** Schleifkörper, die nicht für das Elektrowerkzeug vorgesehen sind, können nicht ausreichend abgeschirmt werden und sind unsicher.
- b) **Gekrüpfte Schleifscheiben müssen so montiert werden, dass ihre Schleiffläche nicht über der Ebene des Schutzhaubenrandes hervorsteht.** Eine unsachgemäß montierte Schleifscheibe, die über die Ebene des Schutzhaubenrandes hinausragt, kann nicht ausreichend abgeschirmt werden.
- c) **Die Schutzhaube muss sicher am Elektrowerkzeug angebracht und so eingestellt sein, dass ein Höchstmaß an Sicherheit erreicht wird, d. h. der kleinstmögliche Teil des Schleifkörpers zeigt offen zur Bedienperson.** Die Schutzhaube hilft, die Bedienperson vor Bruchstücken, zufälligem Kontakt mit dem Schleifkörper sowie Funken, die Kleidung entzünden können, zu schützen.
- d) **Schleifkörper dürfen nur für die empfohlenen Einsatzmöglichkeiten verwendet werden.** Zum Beispiel: Schleifen Sie nie mit der Seitenfläche einer Trennscheibe. Trennscheiben sind zum Materialabtrag mit der Kante der Scheibe bestimmt. Seitliche Kräfteinwirkung auf diese Schleifkörper kann sie zerbrechen.
- e) **Verwenden Sie immer unbeschädigte Spannflansche in der richtigen Größe und Form für die von Ihnen gewählte Schleifscheibe.** Geeignete Flansche stützen die Schleifscheibe und verringern so die Gefahr eines Schleifscheibenbruchs. Flansche für Trennscheiben können sich von den Flanschen für andere Schleifscheiben unterscheiden.
- f) **Verwenden Sie keine abgenutzten Schleifscheiben von größeren Elektrowerkzeugen.** Schleifscheiben für größere Elektrowerkzeuge sind nicht für die höheren Drehzahlen von kleineren Elektrowerkzeugen ausgelegt und können brechen.

ZUSÄTZLICHE SICHERHEITSHINWEISE ZUM TRENNSCHEIFEN

- a) **Vermeiden Sie ein Blockieren der Trennscheibe oder zu hohen Anpressdruck. Führen Sie keine übermäßig tiefen Schnitte aus.** Eine Überlastung der Trennscheibe erhöht deren Beanspruchung und die Anfälligkeit zum Verkatzen oder Blockieren und damit die Möglichkeit eines Rückschlags oder Schleifkörperbruchs.
- b) **Meiden Sie den Bereich vor und hinter der rotierenden Trennscheibe.** Wenn Sie die Trennscheibe im Werkstück von sich wegbewegen, kann im Falle eines Rückschlags das Elektrowerkzeug mit der sich drehenden Scheibe direkt auf Sie zugeschleudert werden.
- c) **Falls die Trennscheibe verklemt oder Sie die Arbeit unterbrechen, schalten Sie das Gerät aus und halten Sie es ruhig, bis die Scheibe zum Stillstand gekommen ist. Versuchen Sie nie, die noch laufende Trennscheibe aus dem Schnitt zu ziehen, sonst kann ein Rückschlag erfolgen.** Ermitteln und beheben Sie die Ursache für das Verklemmen.
- d) **Schalten Sie das Elektrowerkzeug nicht wieder ein, solange es sich im Werkstück befindet. Lassen Sie die Trennscheibe erst ihre volle Drehzahl erreichen, bevor Sie den Schnitt vorsichtig fortsetzen.** Anderenfalls kann die Scheibe verhaken, aus dem Werkstück springen oder einen Rückschlag verursachen.
- e) **Stützen Sie Platten oder große Werkstücke ab, um das Risiko eines Rückschlags durch eine eingeklemmte Trennscheibe zu vermindern.** Große Werkstücke können sich unter ihrem eigenen Gewicht durchbiegen. Das Werkstück muss auf beiden Seiten abgestützt werden, und sowohl in der Nähe des Trennschnitts als auch an der Kante.
- f) **Seien Sie besonders vorsichtig bei „Taschenschnitten“ in bestehende Wände oder andere nicht einsehbare Bereiche.** Die eintauchende Trennscheibe kann beim Schneiden in Gas- oder Wasserleitungen, elektrische Leitungen oder andere Objekte einen Rückschlag verursachen.

SYMBOLE



Zur Reduzierung der Verletzungsgefahr bitte die Bedienungsanleitung durchlesen



WARNUNG



Schutzisolation



Tragen Sie einen Gehörschutz



Tragen Sie eine Schutzbrille



Tragen Sie eine Staubmaske



Elektroprodukte dürfen nicht mit dem normalen Haushaltsmüll entsorgt werden, sondern sollten nach Möglichkeit zu einer Recyclingstelle gebracht werden. Ihre zuständigen Behörden oder Ihr Fachhändler geben Ihnen hierzu gerne Auskunft.

HINWEISE ZUM BETRIEB



HINWEIS: Lesen Sie das Handbuch vor Inbetriebnahme des Werkzeuges sorgfältig durch.

BESTIMMUNGSGEMÄSSER GEBRAUCH

Das Elektrowerkzeug ist bestimmt zum Trennen, Schruppen und Bürsten von Metall- und Steinwerkstoffen ohne Verwendung von Wasser. Zum Trennen von Metall muss eine spezielle Schutzhaube zum Trennen (nicht mitgeliefert) verwendet werden.

MONTAGE

1. EINBAU UND EINSTELLEN DES ZUSATZGRIFFS (SIEHE ABB. A)

Der Handgriff vorne ist zweifach verstellbar, um Ihnen eine sichere und bequeme Arbeitsposition zu ermöglichen. Der Griff wird im Uhrzeigersinn in eines der beiden Löcher am Getriebekasten eingeschraubt.

HINWEIS: Dieser Griff sollte stets verwendet werden, um das Gerät besser kontrollieren zu können.

2. EINBAU UND EINSTELLEN DER SCHUTZABDECKUNG (SIEHE ABB. B1-B3)



WARNUNG: Für Arbeiten mit Schrupp- oder Trennscheiben muss die Schutzhaube montiert sein. - Schleif-Schutzhaube

Richten Sie die Projektion am Schutz mit der Vertiefung am Getriebe aus. Setzen Sie den Schleifscheibenschutz fest nach unten. Lockern Sie gegebenenfalls die Klemmschraube.

Platzieren Sie den Schleifscheibenschutz mit der codierten Projektion in der codierten Nut am Spindelkragen des Maschinenkopfs und drehen Sie ihn in die gewünschte Position (Arbeitsposition).

Ziehen Sie die Klemmschraube fest.

HINWEIS: Bei allen Arbeiten muss die geschlossene Seite der Schutzhaube stets zum Bediener zeigen.

3. SCHEIBEN INSTALLIEREN (NICHT MITGELIEFERT) (SIEHE ABB. C1-C4)

Schrauben Sie die innere Flanscmutter auf.

Achten Sie auf die Abmessungen der Schleifscheibe. Der Montagelochdurchmesser muss zur inneren Flanscmutter ohne Spiel passen.

Verwenden Sie keine Reduzierstücke oder Adapter.

Bei Verwendung einer Diamanttrennscheibe achten Sie darauf, dass der Richtungspfeil auf der Diamanttrennscheibe mit der Drehrichtung der Maschine (Richtungspfeil auf dem Maschinenkopf) übereinstimmt.

Legen Sie die Scheibe auf die Werkzeugspindel und die innere Flanscmutter. Stellen Sie sicher, dass sie korrekt positioniert ist. Montieren Sie die Gewindeflanscmutter und stellen Sie sicher, dass sie in die richtige Richtung für den eingesetzten Scheibentyp zeigt.

Schrauben Sie die äußere Flanscmutter auf.

4. WELLENARRETIERUNGSKNOPF (SIEHE ABB. D)

Muss nur auf Wechselscheibe verwendet werden, spielen diese Taste nicht während des Gebrauchs.

BETRIEB

1. EIN/AUS-SCHALTER (SIEHE ABB. E)

Um das Elektrowerkzeug zu starten, drücken Sie zuerst die Rückseite des Ein/Aus-Schalters und dann den Ein/Aus-Schalter nach vorne.


Um den Ein/Aus-Schalter zu verriegeln, drücken Sie den Ein/Aus-

Schalter an der Vorderseite nach unten, bis er einrastet.
Um das Elektrowerkzeug auszuschalten, lassen Sie den Ein-/Aus-Schalter los oder, falls er verriegelt ist, drücken Sie einfach auf die Rückseite des Ein-/Ausschalters und lassen Sie ihn dann los.

2. HANDGRIFFBEREICHE (SIEHE ABB. F)

Halten Sie den Winkelschleifer beim Arbeiten mit beiden Händen.

3. VERWENDUNG DES SCHLEIFERS (SIEHE ABB. G)

 **ACHTUNG:** Schalten Sie die Schleifmaschine nicht ein, während sich die Scheibe in Kontakt mit dem Werkstück befindet. Warten Sie bis die Scheibe die volle Geschwindigkeit erreicht hat, bevor Sie mit dem Schleifen beginnen.

Halten Sie Ihren Winkelschleifer mit einer Hand am Hauptgriff und der anderen Hand fest um den Hilfsgriff.


Positionieren Sie das Schutzhaube stets so, dass möglichst viel der offenen Scheibe von Ihnen weg zeigt.

Wenn die Scheibe das Metall berührt, entstehen Funken.

Halten Sie beim Schleifen einen Winkel zwischen Scheibe und Arbeitsoberfläche von mindestens 15° - 30° ein, um bestmögliche Werkzeugkontrolle, Materialabspannung und minimale Belastung zu erreichen.

Bei Arbeiten in Ecken ist besondere Vorsicht geboten, da der Kontakt mit sich überschneidenden Oberflächen dazu führen kann, dass der Schleifer springt oder sich verdreht. Lassen Sie das Werkstück nach dem Schleifen abkühlen. Berühren Sie nicht die heiße Oberfläche.

4. TRENSCHLEIFEN (SIEHE ABB. H)

 **WARNUNG!** Verwenden Sie zum Trennen von Metall immer die Schutzhaube zum Trennen. (nicht mitgeliefert).

Beim Trennschleifen Gerät nicht drücken, nicht verkanten, nicht drehen. Mit mäßigem, dem zu bearbeitenden Material angepassten Vorschub arbeiten.

Auslaufende Trennscheiben nicht durch seitliches Gegendrücken abbremsen.

Die Richtung, in der das Trennschleifen durchgeführt wird, ist von Wichtigkeit.

Die Maschine muss immer in einer aufwärts-schleifenden Bewegung arbeiten. Bewegen Sie daher niemals die Maschine in die andere Richtung! Andernfalls besteht die Gefahr, dass sie unkontrolliert aus dem Schnitt geschoben werden könnte.

5. AUTO-STOPP-KOHLSTOFFBÜRSTEN (SIEHE ABB. I)

Ziehen Sie den Netzstecker, bevor Sie Arbeiten an der Maschine selbst durchführen.

Wenn die harzisierte Spitze in der Kohlebürste dem Kommutator ausgesetzt ist, schaltet sie den Motor automatisch aus. In diesem Fall sollten zwei Kohlebürsten ausgetauscht werden. Halten Sie die Kohlebürste sauber und gleiten Sie frei auf dem Träger. Beide Kohlebürsten sollten gleichzeitig ausgetauscht werden. Verwenden Sie nur die gleiche Kohlebürste.

6. ÜBERLASTUNG

Durch Überlastung entstehen Schäden am Motor des Winkelschleifers. Das kann der Fall sein, wenn Ihr Winkelschleifer für längere Zeit einer starken Nutzung ausgesetzt ist.

Versuchen Sie unter keinen Umständen, zu viel Druck auf den Winkelschleifer auszuüben, um Ihre Arbeit zu beschleunigen.

Wenn der Winkelschleifer heiß wird, lassen Sie diesen für 2 bis 3 Minuten ohne Belastung laufen, bis sich dieser auf normale Betriebstemperatur abgekühlt hat.

7. STROMAUSFALLSCHUTZ

Wenn die Stromversorgung plötzlich ausfällt, wird die Maschine stoppen. Wenn die Stromversorgung nach einem Stromausfall wieder eingeschaltet wird, wird die Maschine nicht automatisch starten. Sie müssen den Schalter loslassen und die Maschine neu starten.

TIPPS ZUR ARBEIT MIT IHREM WERKZEUG

1. Starten Sie immer im Leerlauf und lassen Sie die Schleifmaschine erst die volle Drehzahl erreichen, ehe Sie mit dem Arbeiten beginnen.
2. Versuchen Sie nicht, die Materialabtragung durch starkes Drücken auf das Werkzeug zu erhöhen. Ein moderater Druck erhöht die Lebensdauer des Werkzeugs.
3. Der Anstellwinkel zwischen Schleifwerkzeug und Werkstück sollte immer 15-30 Grad betragen. Bei größeren Anstellwinkeln können Riefen entstehen, und die Oberfläche wird uneben.
4. Bewegen Sie den Winkelschleifer gleichmäßig hin und her. Ändern Sie beim Schneiden mit einer Trennscheibe niemals den Schnittwinkel, andernfalls kann das Blatt blockieren oder brechen, oder der Motor bleibt stehen. Wenn Arbeits- und Drehrichtung der Scheibe übereinstimmen, besteht die Gefahr, dass die Scheibe die Maschine aus der Schnitttiefe hebt.
5. Diamantscheiben sind für hartes Material gut geeignet.
6. Sie können beim Arbeiten sehr heiß werden, und es kann ein Funkenring um das ganze Werkzeug herum zu sehen sein. Unterbrechen Sie in einem solchen Fall Ihre Arbeit und lassen Sie die Scheibe 2-3 Minuten lang im Leerlauf abkühlen.
7. Das Werkstück muss sicher befestigt oder festgeklemmt werden, damit es nicht verrutschen kann.

WARTUNG

Ziehen Sie grundsätzlich den Netzstecker, bevor Sie Einstell-, Reparatur- oder Wartungstätigkeiten ausführen.

Es enthält keine Teile, die Sie warten müssen. Reinigen Sie Ihr Werkzeug niemals mit Wasser oder chemischen Lösungsmitteln. Wischen Sie es mit einem trockenen Tuch sauber. Lagern Sie Ihr Werkzeug immer an einem trockenen Platz. Sorgen Sie dafür, dass bei staubigen Arbeiten die Lüftungsöffnungen frei sind. Falls es erforderlich sein sollte, den Staub zu entfernen, trennen Sie zuerst das Elektrowerkzeug vom Stromversorgungsnetz. Verwenden Sie nichtmetallische Objekte zum Entfernen von Staub und vermeiden Sie das Beschädigen innerer Teile. Gelegentlich sind durch die Lüftungsschlitze hindurch Funken zu sehen. Dies ist normal und wird Ihr Werkzeug nicht beschädigen.

Wenn ein Ersatz von Stecker oder Anschlussleitung erforderlich ist, dann ist dies von unserer Servicestelle oder einer Elektrofachwerkstatt durchzuführen, um Sicherheitsgefährdungen zu vermeiden. Lassen Sie Reparaturen nur durch unsere Servicestelle oder durch eine Fachwerkstatt mit Originalersatzteilen durchführen.

UMWELTSCHUTZ



Elektroprodukte dürfen nicht mit dem normalen Haushaltsmüll entsorgt werden, sondern sollten nach Möglichkeit zu einer Recyclingstelle gebracht werden. Ihre zuständigen Behörden oder Ihr Fachhändler geben Ihnen hierzu gerne Auskunft.

PROBLEMLÖSUNG

Ihr Winkelschleifer ist leicht zu handhaben. Sollten Sie dennoch Schwierigkeiten haben, überprüfen Sie bitte Folgendes:

1. Se la smerigliatrice non funziona, controllare l'alimentazione sulla spina principale.
2. Wackelt oder vibriert die Schleifscheibe, prüfen Sie, ob der äußere Flansch fest ist und ob die Scheibe korrekt auf der Flanschplatte aufgebracht ist.
3. Sollte die Scheibe Beschädigungen aufweisen, darf sie nicht mehr verwendet werden. Eine beschädigte Scheibe kann abplatzen. Entfernen Sie sie und ersetzen Sie sie durch ein neues Rad. Achten Sie auf eine ordnungsgemäße Entsorgung der alten Scheibe.
4. Bei Arbeiten mit Aluminium oder anderen weichen Legierungen verstopft die Scheibe schnell und schleift nicht mehr richtig.
5. Wenn der Fehler nicht behoben werden kann, senden Sie das Werkzeug zur Reparatur an einen autorisierten Händler oder dessen Servicemitarbeiter zurück.

KONFORMITÄTSERKLÄRUNG

Wir,
POSITEC Germany GmbH
Postfach 32 02 16, 50796 Cologne, Germany

erklären hiermit, dass unser Produkt
Beschreibung **Winkelschleifer**
Typ **WS4750.1 (47- Bezeichnung der Maschine, repräsentiert die Winkelschleifer)**
Funktionen **Außenflächen und Kanten schleifen**

Den Bestimmungen der folgenden Richtlinien entspricht:
2006/42/EC, 2011/65/EU & (EU)2015/863, 2014/30/EU

Werte nach
**EN 55014-1, EN 55014-2, EN IEC 61000-3-2, EN 61000-3-3,
EN 60745-1, EN 60745-2-3**

Zur Kompilierung der technischen Datei ermächtigte Person,
Name Marcel Filz
Anschrift POSITEC Germany GmbH
Postfach 32 02 16, 50796 Cologne, Germany



2023/05/05
Allen Ding
Stellvertretender Cheffingenieur,
Prüfung und Zertifizierung
Positec Technology (China) Co., Ltd
18, Dongwang Road, Suzhou Industrial
Park, Jiangsu 215123, P. R. China

LISTE DES COMPOSANTS

1. Poignée auxiliaire
2. Bouton de verrouillage de la broche
3. Bouton on / off
4. Protecteur de meule pour le meulage
5. Disque à meuler *
6. Champ extérieur
7. Champ intérieur
8. Cle a molette
9. Vis de serrage

* Tous les accessoires illustrés ou décrits ne sont pas inclus dans la livraison standard.

CARACTERISTIQUES TECHNIQUES

Modèle WS4750.1 (47-désignations des pièces, illustration de la Meuleuse d' Angle)

Tension Nominale	220-240V~50/60Hz
Puissance absorbée	900W
Vitesse nominale	12000 /min
Diamètre du disque	125 mm
Alésage du disque	22.2 mm
Arbre fileté	M14
Classe de protection	□/II
Poids	1.8 kg

INFORMATIONS RELATIVES AU BRUIT

Niveau de pression acoustique pondéré A

Niveau de puissance acoustique pondéré A

K_{pA} & K_{WA}

Porter une protection pour les oreilles 

L_{pA} : 85 dB(A)

L_{WA} : 96 dB(A)

3.0dB(A)

INFORMATIONS RELATIVE AUX VIBRATIONS

Valeurs totales de vibrations déterminées selon l'EN60745:

Meulage superficiel	Valeur d'émission de vibrations $a_{h,AG} = 6.5 \text{ m/s}^2$
	Incertitude $K = 1.5 \text{ m/s}^2$

- La valeur totale de vibration déclarée a été mesurée conformément à une méthode d'essai standard et peut être utilisée pour comparer un outil avec un autre ;

- La valeur totale de vibration déclarée peut également être utilisée dans une évaluation préliminaire de l'exposition.



AVERTISSEMENT: La valeur d'émission de vibrations pendant l'utilisation réelle de l'outil électrique peut différer de la valeur déclarée selon la façon dont l'outil est utilisé, selon les exemples suivants et d'autres variations sur la façon dont l'outil est utilisé:

Comment l'outil est utilisé et quels matériaux sont coupés ou percés.

L'outil est en bon état et bien entretenu.

L'utilisation du bon accessoire pour l'outil et l'assurance qu'il est affûté et en bon état.

Le serrage du grip sur les poignées et le cas échéant les accessoires anti-vibrations utilisés.

Et l'outil est utilisé comme prévu dans sa conception et dans les présentes instructions.

Cet outil peut causer un syndrome de vibration du bras et de la main s'il n'est pas correctement géré.



AVERTISSEMENT: Pour être précise, une évaluation du niveau d'exposition en conditions réelles d'utilisation doit également tenir compte de toutes les parties du cycle d'utilisation telles que les moments où l'outil est éteint, et ceux où il fonctionne au ralenti mais ne réalise pas réellement de tâche. Ceci peut réduire de façon significative le niveau d'exposition et la période de fonctionnement totale.

Aider à minimiser le risque d'exposition aux vibrations.

Entretenez cet outil en accord avec les présentes instructions et maintenez-le lubrifié (si approprié).

Si l'outil doit être utilisé régulièrement, alors investissez dans des accessoires anti-vibrations.

Évitez d'utiliser des outils à des températures de 10°C ou moins.

Planifiez votre travail pour étaler toute utilisation d'outil à fortes vibrations sur plusieurs jours.

ACCESSOIRES

Poignée auxiliaire

Carte de protection pour le meulage

Clé universelle

1
1
1

Nous vous recommandons d'acheter tous les accessoires dans le magasin d'acquisition de la machine. Pour plus d'informations, se référer à l'emballage des accessoires. Le personnel du magasin est également là pour vous conseiller.

SÉCURITÉ DU PRODUIT

AVERTISSEMENTS DE SÉCURITÉ GÉNÉRAUX POUR L'OUTIL



AVERTISSEMENT! Lire tous les avertissements de sécurité et toutes les instructions. Ne pas suivre les avertissements et instructions peut donner lieu à un choc électrique, un incendie et/ou une blessure sérieuse.

Conserver tous les avertissements et toutes les instructions pour pouvoir s'y reporter ultérieurement.

Le terme «outil» dans les avertissements fait référence à votre outil électrique alimenté par le secteur (avec cordon d'alimentation) ou votre outil fonctionnant sur batterie (sans cordon d'alimentation).

1. SÉCURITÉ DE LA ZONE DE TRAVAIL

- Conserv**er la zone de travail propre et bien éclairée. Les zones en désordre ou sombres sont propices aux accidents.
- Ne pas faire fonctionner les outils électriques en atmosphère explosive, par exemple en présence de liquides inflammables, de gaz ou de poussières.** Les outils électriques produisent des étincelles qui peuvent enflammer les poussières ou les fumées.
- Maintenir les enfants et les personnes présentes à l'écart pendant l'utilisation de l'outil.** Les distractions peuvent vous faire perdre le contrôle de l'outil.

2. SÉCURITÉ ÉLECTRIQUE

- Il faut que les fiches de l'outil électrique soient adaptées au socle. Ne jamais modifier la fiche de quelque façon que ce soit. Ne pas utiliser d'adaptateurs avec des outils à branchement de terre.** Des fiches non modifiées et des socles adaptés réduiront le risque de choc électrique.
- Éviter tout contact du corps avec des surfaces reliées à la terre telles que les tuyaux, les radiateurs, les cuisinières et les réfrigérateurs.** Il existe un risque accru de choc électrique si votre corps est relié à la terre.
- Ne pas exposer les outils à la pluie ou à des conditions humides.** La pénétration d'eau à l'intérieur d'un outil augmentera le risque de choc électrique.
- Ne pas maltraiter le cordon. Ne jamais utiliser le cordon pour porter, tirer ou débrancher l'outil.** Maintenir le

cordon à l'écart de la chaleur, du lubrifiant, des arêtes ou des parties en mouvement. Des cordons endommagés ou emmêlés augmentent le risque de choc électrique.

- Lorsqu'on utilise un outil à l'extérieur, utiliser un prolongateur adapté à l'utilisation extérieure.** L'utilisation d'un cordon adapté à l'utilisation extérieure réduit le risque de choc électrique.
- Si l'usage d'un outil dans un emplacement humide est inévitable, utiliser une alimentation protégée par un dispositif à courant différentiel résiduel (DDR).** L'usage d'un DDR réduit le risque de choc électrique.

3. SÉCURITÉ DES PERSONNES

- Restez vigilant, regardez ce que vous êtes en train de faire et faites preuve de bon sens dans votre utilisation de l'outil.** Ne pas utiliser un outil lorsque vous êtes fatigué ou sous l'emprise de drogues, d'alcool ou de médicaments. Un moment d'inattention en cours d'utilisation d'un outil peut entraîner des blessures graves des personnes.
- Utiliser un équipement de sécurité. Toujours porter une protection pour les yeux.** Les équipements de sécurité tels que les masques contre les poussières, les chaussures de sécurité antidérapantes, les casques ou les protections acoustiques utilisés pour les conditions appropriées réduiront les blessures de personnes.
- Éviter tout démarrage intempestif. S'assurer que l'interrupteur est en position arrêté avant de brancher l'outil au secteur et/ou au bloc de batteries, de le ramasser ou de le porter.** Porter les outils en ayant le doigt sur l'interrupteur ou brancher des outils dont l'interrupteur est en position marche est source d'accidents.
- Retirer toute clé de réglage avant de mettre l'outil en marche.** Une clé laissée fixée sur une partie tournante de l'outil peut donner lieu à des blessures de personnes.
- Ne pas se précipiter. Garder une position et un équilibre adaptés à tout moment.** Cela permet un meilleur contrôle de l'outil dans des situations inattendues.
- S'habiller de manière adaptée. Ne pas porter de vêtements amples ou de bijoux. Garder les cheveux, les vêtements et les gants à distance des parties en mouvement.** Des vêtements amples, des bijoux ou les cheveux longs peuvent être pris dans des parties en mouvement.
- Si des dispositifs sont fournis pour le raccordement d'équipements pour l'extraction et la récupération**

des poussières, s'assurer qu'ils sont connectés et correctement utilisés. *Utiliser des collecteurs de poussière peut réduire les risques dus aux poussières.*

4. UTILISATION ET ENTRETIEN DE L'OUTIL

- a) **Ne pas forcer l'outil. Utiliser l'outil adapté à votre application.** *L'outil adapté réalisera mieux le travail et de manière plus sûre au régime pour lequel il a été construit.*
- b) **Ne pas utiliser l'outil si l'interrupteur ne permet pas de passer de l'état de marche à arrêt et vice versa.** *Tout outil qui ne peut pas être commandé par l'interrupteur est dangereux et il faut le réparer.*
- c) **Débrancher la fiche de la source d'alimentation en courant et/ou le bloc de batteries de l'outil avant tout réglage, changement d'accessoires ou avant de ranger l'outil.** *De telles mesures de sécurité préventives réduisent le risque de démarrage accidentel de l'outil.*
- d) **Conserver les outils à l'arrêt hors de la portée des enfants et ne pas permettre à des personnes ne connaissant pas l'outil ou les présentes instructions de le faire fonctionner.** *Les outils sont dangereux entre les mains d'utilisateurs novices.*
- e) **Observer la maintenance de l'outil. Vérifier qu'il n'y a pas de mauvais alignement ou de blocage des parties mobiles, des pièces cassées ou toute autre condition pouvant affecter le fonctionnement de l'outil. En cas de dommages, faire réparer l'outil avant de l'utiliser.** *De nombreux accidents sont dus à des outils mal entretenus.*
- f) **Garder affûtés et propres les outils permettant de couper.** *Des outils destinés à couper correctement entretenus avec des pièces coupantes tranchantes sont moins susceptibles de bloquer et sont plus faciles à contrôler.*
- g) **Utiliser l'outil, les accessoires et les lames etc., conformément à ces instructions, en tenant compte des conditions de travail et du travail à réaliser.** *L'utilisation de l'outil pour des opérations différentes de celles prévues pourrait donner lieu à des situations dangereuses.*

5. MAINTENANCE ET ENTRETIEN

- a) **Faire entretenir l'outil par un réparateur qualifié utilisant uniquement des pièces de rechange identiques.** *Cela assurera le maintien de la sécurité de l'outil.*

INSTRUCTIONS DE SECURITE POUR TOUT USAGE

AVERTISSEMENTS DE SECURITE COMMUNS POUR LES OPERATIONS DE TRONÇONNAGE PAR MEULAGE OU ABRASION:

- a) **Cet outil est destiné à faire office de broyeur, ou instrument de coupe.** *Lisez tous les avertissements de sécurité, instructions, illustrations et spécifications fournies avec l'outil. En ne suivant pas toutes les instructions listées ci-dessous, vous vous exposez à une possible électrocution, un incendie et/ou des blessures graves.*
- b) **Il n'est pas recommandé de réaliser les opérations telles que le ponçage, le brossage, le polissage avec cet outil électrique.** *Les opérations pour lesquelles l'outil électrique a été conçu peuvent représenter un danger et causer des blessures corporelles.*
- c) **N'utilisez pas d'accessoires qui ne soient pas conçus et recommandés spécifiquement par le fabricant de l'outil.** *Le fait que l'accessoire puisse se fixer sur votre outil électrique n'assure pas son fonctionnement en toute sécurité.*

- d) **La vitesse nominale de l'accessoire doit être supérieure ou égale à la vitesse maximale indiquée sur l'outil électrique.** *Les accessoires qui tournent plus rapidement que leur valeur nominale peuvent voler en éclats.*
- e) **Le diamètre externe et l'épaisseur de votre accessoire doivent être dans la plage de capacité nominale de votre outil électrique.** *Les accessoires mal dimensionnés ne peuvent pas être protégés ni commandés de façon adéquate.*
- f) **Le montage fileté des accessoires doit correspondre au filetage de la meule de la meuleuse.** *Pour les accessoires montés avec des brides, le trou de fixation de l'accessoire doit correspondre au diamètre de positionnement de la bride.* *Les accessoires avec trou d'arbre qui ne correspondent pas au matériel de montage de l'outil vont le déséquilibrer, créer des vibrations excessives et peuvent causer une perte de contrôle.*
- g) **N'utilisez pas un accessoire endommagé. Vérifiez, avant chaque utilisation, que les accessoires comme les disques abrasifs ne soient pas fendus ni fêlés, que les plateaux ne soient ni fissurés ni excessivement usés.** *Si l'outil électrique est tombé, inspectez les dégâts ou installez un accessoire non endommagé.* *Après inspection et installation d'un accessoire, placez-vous, ainsi que les observateurs, à l'écart du plan de rotation de l'accessoire et faites tourner l'outil électrique à vide et à pleine vitesse pendant une minute.* *Un accessoire endommagé va normalement casser pendant cette durée de test.*
- h) **Portez des équipements de protection personnels. Selon l'application, utilisez une protection de visage, des lunettes de sécurité ou un masque de sécurité.** *Selon le cas, portez un masque contre la poussière, des protections auditives, des gants et un tablier pouvant arrêter les petits fragments d'abrasif ou de la pièce.* *La protection pour les yeux doit être capable d'arrêter les débris volant générés par les différentes opérations.* *Le masque contre les poussières ou le respirateur doit être capable de filtrer les particules générées par l'utilisation.* *Une exposition prolongée à du bruit de forte intensité peut causer une perte de l'ouïe.*
- i) **Tenez les observateurs à une distance de sécurité de la zone de travail. Quiconque entrant dans la zone de travail doit porter des équipements de protection personnels.** *Des fragments de la pièce ou un accessoire cassé peuvent voler et causer des blessures dans les environs immédiates de la zone d'utilisation.*
- j) **Tenez l'outil électrique uniquement par les surfaces de prise en main isolantes lorsque vous effectuez une opération où l'accessoire de coupe peut entrer en contact avec des fils cachés.** *L'accessoire de coupe, s'il entre en contact avec un fil "sous tension", peut mettre les parties métalliques exposées de l'outil "sous tension" et électrocuter l'opérateur.*
- k) **Placez le cordon à distance de l'accessoire en rotation.** *Si vous perdez le contrôle, le cordon peut être coupé ou accroché, et votre main ou votre bras peuvent être entraînés vers l'accessoire en rotation.*
- l) **Ne posez jamais l'outil électrique tant que l'accessoire ne s'est pas complètement arrêté.** *L'accessoire en rotation peut accrocher une surface et vous faire perdre le contrôle de l'outil électrique.*
- m) **Ne faites pas tourner l'outil électrique quand vous le portez sur le coté.** *Un contact accidentel avec l'accessoire en rotation peut accrocher vos vêtements, et entraîner l'accessoire vers votre corps.*
- n) **Nettoyez régulièrement le ouïe de ventilation de l'outil électrique.** *Le ventilateur du moteur attire la poussière à*

l'intérieur du boîtier et une accumulation excessive de poudre métallique peut représenter un danger électrique.

- o) N'utilisez pas l'outil électrique près de matériaux inflammables.** *Des étincelles peuvent enflammer ces matériaux.*
- p) N'utilisez pas des accessoires qui requièrent des liquides de refroidissement.** *L'utilisation d'eau ou d'un autre liquide de refroidissement peut conduire à une électrocution ou un choc électrique.*
- q) Vous devez tenir les poignées avec les mains lorsque vous travaillez.** Utilisez toujours les poignées auxiliaires fournies avec l'outil. Les pertes de contrôle peuvent causer des blessures.

INSTRUCTIONS DE SÉCURITÉS SUPPLÉMENTAIRES POUR TOUT USAGE

AVERTISSEMENTS LIÉS AUX RETOURS D'EFFORTS

Le retour d'effort est la réaction soudaine à un outil, un plateau, une brosse ou un autre accessoire en rotation et qui est pincé ou accroché. Le pincement ou l'accrochage cause un calage rapide de l'accessoire rotatif qui à son tour force l'outil électrique, devenu incontrôlable, dans le sens opposé à la rotation de l'accessoire, au niveau du point de grippage.

Par exemple, un disque abrasif est accroché ou pincé par la pièce à usiner, le bord du disque qui subit le pincement peut creuser la surface du matériau forçant le disque à sortir ou s'éjecter. Le disque peut soit sauter vers l'opérateur, soit dans le sens opposé, selon la direction de mouvement au point de pincement. Les disques abrasifs peuvent également se briser sous certaines conditions.

Le retour d'effort est le résultat d'une mauvaise utilisation de l'outil électrique et/ou de procédures ou de conditions d'utilisation incorrectes, et il peut être évité en prenant les précaution ci-dessous.

- a) Maintenez une prise en main ferme sur l'outil électrique et placez votre corps et votre bras de façon à résister aux retours d'efforts.** Utilisez toujours la poignée auxiliaire, si elle existe, pour un contrôle maximum du retour d'effort et du couple réactif au démarrage. *L'opérateur peut contrôler le couple réactif ou les retours d'effort en prenant des précautions appropriées.*
- b) Ne placez jamais votre main près de l'accessoire rotatif.** *L'accessoire peut subir un retour d'effort vers votre main.*
- c) Ne placez pas votre corps dans la zone où l'outil électrique se déplacerait en cas de retour d'effort,** *le retour d'effort propulse l'outil dans le sens opposé au mouvement du disque, au niveau du point d'accrochage.*
- d) Faites très attention lors du travail dans les angles, sur les arêtes vives etc., et évitez le rebond et l'accrochage de l'accessoire.** *Les coins, les arêtes vives et les rebonds ont tendance à bloquer l'accessoire rotatif et peuvent causer une perte de contrôle ou un retour d'effort.*
- e) N'attachez pas une lame à sculpter de tronçonneuse ou une lame de scie dentée.** *Ces lames créent des risques fréquents de rebond et de perte de contrôle.*

INSTRUCTIONS DE SÉCURITÉ SUPPLÉMENTAIRES POUR LE BROYAGE ET LA COUPE

AVERTISSEMENTS DE SÉCURITÉ SPÉCIFIQUES AUX OPÉRATIONS DE MEULAGE ET DE DÉCOUPE ABRASIVE:

- a) N'utilisez que les types de disques recommandés pour votre outil électrique, avec la protection conçue spécialement pour le disque choisi.** *Les disques pour lesquels l'outil électrique n'a pas été prévu ne peuvent pas être correctement protégés et ne sont pas sûrs.*
- b) La surface de meulage des roues centrales enfoncées doit être montée au-dessous du plan du capot de protection.** *Une roue mal montée qui est projetée à travers le plan du capot de protection ne peut pas être protégée correctement.*
- c) La protection doit être fermement fixée à l'outil électrique et placée en vue d'une sécurité maximale, de sorte que le disque soit le moins exposé possible vers l'opérateur.** *La protection aide à protéger l'opérateur contre les fragments de disque brisé et les contacts accidentels avec le disque.*
- d) Les disques doivent être utilisés seulement pour les applications recommandées. Par exemple: ne meulez pas avec le bord d'un disque de coupe.** *Les disques de coupe abrasive sont conçus pour le meulage périphérique, les forces latérales appliquées à de tels disques peuvent les casser.*
- e) Utilisez toujours des collerettes de disques non endommagées et de taille et forme correctes pour le disque choisi.** *Des collerettes de disques adaptées supportent le disque et réduisent ainsi le risque de casse. Les collerettes des disques de découpe peuvent être différentes de celles des disques à meuler.*
- f) N'utilisez pas de disques usés d'outils électriques plus gros.** *Les disques prévus pour des outils électriques plus gros ne conviennent pas pour les vitesses élevées d'outils plus petits et peuvent éclater.*

AVERTISSEMENTS DE SÉCURITÉ SUPPLÉMENTAIRES SPÉCIFIQUES AUX OPÉRATIONS DE DÉCOUPE ABRASIVE:

- a) Ne "bloquez" pas le disque de découpe et n'exercez pas de pression excessive. N'essayez pas de faire un profond coup de coupe excessive.** *Une sur-contrainte du disque augmente la charge et la susceptibilité du disque à la torsion ou aux efforts dans la coupe, ainsi que l'éventualité d'un retour d'effort ou de casse du disque.*
- b) Ne placez pas votre corps dans l'axe ni derrière le disque en rotation.** *Lorsque le disque, au point de fonctionnement, s'éloigne de votre corps, le retour d'effort possible peut propulser le disque en rotation et l'outil électrique directement vers vous.*
- c) Lorsque le disque est en contrainte ou lorsque vous arrêtez la coupe pour une raison quelconque, éteignez l'outil électrique et maintenez l'outil immobile jusqu'à ce que le disque soit à l'arrêt complet. N'essayez jamais d'enlever le disque de coupe de la coupe pendant qu'il est en mouvement sous peine de risque de retour d'effort.** *Investiguez et prenez des actions correctrices pour éliminer la cause de la contrainte au niveau du disque.*
- d) Ne redémarrez pas l'opération de coupe sur la pièce à usiner. Laissez le disque atteindre sa pleine vitesse et re-pénétrez dans la coupe avec précaution.** *Le disque peut se contraindre, se soulever ou renvoyer un retour d'effort si l'outil électrique est redémarré dans la pièce.*
- e) Soutenez les panneaux ou toute pièce de grandes dimensions, afin de minimiser le risque de pincement**

de disque et de retour d'effort. Les grandes pièces ont tendance à se plier sous leur propre poids. Les supports doivent être placés sous la pièce près de la ligne de coupe et près du bord de la pièce des deux côtés du disque.

- f) **Faites très attention quand vous faites une "découpe en poche" dans des murs existants ou d'autres zones aveugles. Le disque protubérant peut couper des tuyaux de gaz ou d'eau, des fils électriques ou des objets pouvant provoquer un retour d'effort.**

SYMBOLES



Pour réduire le risque de blessure, l'utilisateur doit lire le manuel d'instructions



Avertissement



Double isolation



Porter une protection pour les oreilles



Porter une protection pour les yeux



Porter un masque contre la poussière



Les déchets d'équipements électriques et électroniques ne doivent pas être déposés avec les ordures ménagères. Ils sont collectés pour être recyclés dans des centres spécialisés. Consultez les autorités locales ou votre revendeur pour obtenir des renseignements sur l'organisation de la collecte.

FONCTIONNEMENT



REMARQUE: Avant d'utiliser cet outil, lire attentivement le mode d'emploi.

UTILISATION CONFORME

L'appareil est conçu pour le tronçonnage, le meulage et le broissage des matériaux en métal et en pierre sans utilisation d'eau. Pour le tronçonnage de métal, utiliser un capot de protection spécialement conçu pour le tronçonnage (non fourni).

ASSEMBLAGE

1. INSTALLATION ET RÉGLAGE DE LA POIGNÉE AUXILIAIRE (VOIR FIG. A)

Pour un meilleur contrôle et un travail plus sécuritaire, la meuleuse est fournie avec une poignée auxiliaire qui peut être fixée selon deux positions. La poignée doit être vissée dans le sens des aiguilles d'une montre dans l'un des orifices situés sur le carter.

REMARQUE: Cette poignée doit être utilisée en permanence pour conserver le contrôle entier de l'outil.

2. INSTALLATION ET RÉGLAGE DU CARTER DE PROTECTION (VOIR FIG. B1-B3)



AVERTISSEMENT: Le capot de protection doit être monté pour les travaux avec des disques à ébarber et à tronçonner.

- Carter de protection pour le meulage

Richten Sie die Projektion auf dem Schutz mit der Vertiefung auf dem Getriebegehäuse aus. Setzen Sie den Schleifscheibenschutz fest nach unten.

Lösen Sie bei Bedarf die Klemmschraube.

Platzieren Sie den Schleifscheibenschutz mit codierter Projektion in der codierten Nut am Spindelkragen des Maschinenkopfs und drehen Sie ihn in die gewünschte Position (Arbeitsposition).

Ziehen Sie die Klemmschraube fest.

REMARQUE: Le côté fermé du capot de protection doit toujours être dirigé vers l'utilisateur.

3. FIXATION DES DISQUES (NON FOURNI) (VOIR FIG. C1-C4)

Schrauben Sie die Innenflansch auf.

Beachten Sie die Abmessungen der Schleifscheibe. Der Bohrungsdurchmesser muss ohne Spiel zum Innenflansch passen. Verwenden Sie keine Reduzierungen oder Adapter.

Bei Verwendung einer Diamanttrennscheibe achten Sie darauf, dass der Drehrichtungspfeil auf der Diamanttrennscheibe und die Drehrichtung der Maschine (Drehrichtungspfeil am Maschinenkopf) übereinstimmen.

Legen Sie die Scheibe auf die Werkzeugspindel und den Innenflansch. Stellen Sie sicher, dass sie korrekt positioniert ist. Setzen Sie den Gewindeaußenflansch ein und achten Sie darauf, dass er für den installierten Scheibentyp in die richtige Richtung zeigt.

Schrauben Sie den Außenflansch fest.

4. BOUTON DE VERROUILLAGE DE LA BROCHE (VOIR FIG. D)

Doit être utilisé uniquement lors du changement de disque. N'appuyez jamais lorsque le disque tourne!

FONCTIONNEMENT

1. COMMUTATEUR MARCHE/ARRÊT (VOIR FIG. E)

Pour démarrer l'outil électrique, appuyez d'abord sur l'arrière de l'interrupteur marche / arrêt, puis poussez l'interrupteur marche / arrêt vers l'avant.

Pour verrouiller l'interrupteur marche / arrêt, appuyez sur l'interrupteur marche / arrêt vers le bas jusqu'à ce qu'il s'enclenche.

Pour éteindre l'outil électrique, relâchez l'interrupteur marche / arrêt ou, s'il est verrouillé, appuyez brièvement sur l'arrière de l'interrupteur marche / arrêt, puis relâchez-le.

2. ZONES DE PRISE (VOIR FIG. F)

Toujours tenir la ponceuse à courroie fermement avec les deux mains lors du fonctionnement.

3. POUR UTILISER LA MEULEUSE (VOIR FIG. G)



ATTENTION: N'allumez pas la meuleuse pendant que le disque est en contact avec la pièce de travail. Laissez le disque atteindre sa vitesse complète avant de commencer à meuler.

Tenez votre meuleuse d'angle avec une main sur la poignée principale et une autre fermement autour de la poignée auxiliaire. Positionnez toujours la sécurité pour que le maximum du disque exposé pointe ailleurs que vers vous.

Soyez préparé pour un sillage d'effluves quand le disque entre en contact avec le métal.

Pour un meilleur contrôle de l'outil, le retrait de matériel et une surcharge minimale, maintenez un angle entre le disque et la surface de travail d'approximativement 15° - 30° quand vous meulez.

Faites attention quand vous travaillez dans des coins car le contact avec la superficie d'intersection peut faire que la meuleuse saute

ou soit déviée.

Quand le meulage est complet laissez à l'outil de travail de refroidir. Ne touchez pas la surface chaude.

4. TRONÇONNAGE (VOIR FIG. H)



AVERTISSEMENT! Pour le tronçonnage de métal, toujours utiliser le carter de protection pour le tronçonnage (non fourni).

Lors de travaux de tronçonnage, ne pas exercer de pression, ne pas incliner ni faire osciller. Travailler en appliquant une vitesse d'avance modérée adaptée au matériau.

Ne pas freiner les disques de tronçonnage qui tournent encore en exerçant une pression latérale.

L'important, c'est la direction dans laquelle on effectue le travail de tronçonnage.

L'appareil doit toujours travailler en sens opposé ; en conséquence, ne pas guider l'appareil dans l'autre sens ! Sinon, il y a risque qu'il sorte de la ligne de coupe de manière incontrôlée.

5. BROSSES À CARBONE À ARRÊT AUTOMATIQUE (VOIR FIG. I)

Avant tout travail sur la machine, débranchez la prise secteur.

Lorsque la pointe isolante en résine à l'intérieur de la brosse à carbone est exposée à entrer en contact avec le commutateur, elle arrête automatiquement le moteur. Dans ce cas, les deux brosses à charbon doivent être remplacées. Gardez les brosses à charbon propres et libres de glisser dans les supports. Les deux brosses à charbon doivent être remplacés en même temps. Utilisez uniquement des brosses à charbon identiques.

6. SURCHARGE

Une surcharge causera des dommages sur le moteur de votre meuleuse d'angle. Cela peut se produire si votre meuleuse d'angle est soumise à un usage intensif durant de longues périodes.

Ne tenez jamais d'exercer trop de pression sur votre meuleuse d'angle pour accélérer votre travail.

Les disques abrasifs fonctionnent plus efficacement lorsqu'une légère pression est exercée, en évitant ainsi une baisse de vitesse de votre meuleuse d'angle.

Si votre meuleuse d'angle devient trop chaude, faites-la fonctionner à vide pendant 2 à 3 minutes jusqu'à ce qu'elle ait refroidi à la température de fonctionnement normal.

7. STROMAUSFALLSCHUTZ

Wenn die Stromversorgung plötzlich ausfällt, wird die Maschine stoppen. Wenn die Stromversorgung nach einem Stromausfall wieder eingeschaltet wird, wird die Maschine nicht automatisch starten. Sie müssen den Schalter loslassen und die Maschine neu starten.

CONSEILS D'UTILISATION DE LA MEULEUSE D'ANGLE

1. Démarrez toujours à vide pour atteindre la vitesse maximale, puis commencez à travailler.
2. N'obligez pas le disque à travailler plus rapidement, réduire la vitesse de déplacement du disque signifie un temps de travail plus long.
3. Travaillez toujours avec un angle de 15-30° entre le disque et l'ouvrage. Des angles plus larges peuvent faire des stries sur la pièce à travailler et affecter la finition de la surface. Déplacez la meuleuse angulaire tout au long de la pièce et d'avant en arrière.

4. Lors de l'utilisation d'un disque, ne changez jamais l'angle de coupe sinon le disque et le moteur de la meuleuse angulaire risquent de caler et le disque de se casser. Pendant la coupe, coupez uniquement dans la direction opposée à la rotation du disque. Si la coupe est effectuée dans la même direction que la rotation du disque, le disque pourrait être projeté hors de son crêneau.
5. Lors de la coupe de matériaux très durs, de meilleurs résultats peuvent être obtenus avec un disque diamant.
6. Lors de l'utilisation d'un disque diamant, celui-ci deviendra très chaud. Si cela se produit, un anneau d'étincelles sera visible autour du disque rotatif. Arrêtez la coupe et faites refroidir l'outil en le faisant tourner à vide pendant 2-3 minutes.
7. Assurez-vous toujours que l'ouvrage est fermement maintenu pour empêcher tout mouvement.

ENTRETIEN

Retirez la fiche de la prise avant de procéder à un réglage, une réparation ou un entretien.

Il n'y a pas de pièces réparables par l'utilisateur dans cet outil. Ne jamais utiliser d'eau ou de nettoyants chimiques pour nettoyer l'outil. Nettoyer avec un chiffon sec. Toujours conserver l'outil motorisé dans un endroit sec. Maintenir les fentes de ventilation du moteur propres. Empêcher que les commandes de marche soient couvertes de sciure. Il est normal que des étincelles soient visibles dans les fentes de ventilation, cela n'endommagera pas l'outil motorisé.

Si l'alimentation est endommagée, elle doit être remplacée par le fabricant, son agent de maintenance ou une personne qualifiée de façon similaire, afin d'éviter tout danger.

PROTECTION DE L'ENVIRONNEMENT



Les déchets d'équipements électriques et électroniques ne doivent pas être déposés avec les ordures ménagères. Ils sont collectés pour être recyclés dans des centres spécialisés. Consultez les autorités locales ou votre

revendeur pour obtenir des renseignements sur l'organisation de la collecte.

DÉPANNAGE

Bien que votre meuleuse d'angle soit simple à utiliser, et si vous rencontrez des problèmes, vérifiez d'abord les points suivants:

1. Si votre meuleuse ne fonctionne pas, vérifiez l'alimentation à la prise principale.
2. Si le disque de la meuleuse tremble ou vibre, vérifiez que le flange extérieur est bien serré. Vérifiez également que le disque est correctement installé sur le flasque intérieur.
3. Si la meule est endommagée, n'utilisez pas votre meuleuse. Une meule ébréchée risque de se casser lors de l'utilisation – Risque de blessure.
4. Si vous meulez de l'aluminium ou tout autre alliage tendre, le disque risque d'être rapidement encrassé et de ne plus meuler correctement.
5. Si un défaut ne peut pas être corrigé, renvoyez l'outil à un revendeur agréé ou à son agent de service pour réparation.

DÉCLARATION DE CONFORMITÉ

We,
POSITEC Germany GmbH
Postfach 32 02 16, 50796 Cologne, Germany

Déclarons ce produit
Description **Meuleuse d'angle**
Modèle **WS4750.1(47- désignations des pièces, illustration de la Meuleuse d'angle)**
Fonction **Meulage périphérique et latéral**

Est conforme aux directives suivantes:
2006/42/EC, 2011/65/EU & (EU)2015/863, 2014/30/EU

Et conforme aux normes:
EN 55014-1 , EN 55014-2, EN IEC 61000-3-2, EN 61000-3-3
EN 60745-1, EN 60745-2-3

La personne autorisée à compiler le dossier technique,
Nom **Marcel Filz**
Adresse **POSITEC Germany GmbH**
Postfach 32 02 16, 50796 Cologne, Germany



2023/05/05
Allen Ding
Ingénieur en chef adjoint, Essais & Certification
Positec Technology (China) Co., Ltd
18, Dongwang Road, Suzhou Industrial
Park, Jiangsu 215123, P. R. China

ELEMENTI DELL'APPARECCHIO

1. Maniglia ausiliaria
2. Pulsante di blocco mandrino
3. Interruttore acceso/spento
4. Protezione della ruota per la macinazione
5. Disco di molatura *
6. Flangia esterna
7. Flangia interna
8. Chiave inglese
9. Vite di bloccaggio

* Non tutti gli accessori illustrati o descritti sono inclusi nella consegna standard.

DATI TECNICI

Codice WS4750.1 (47- designazione del macchinario rappresentativo del Smerigliatrice angolare)

Tensione Nominale	220-240V~50/60Hz
Potenza	900W
Velocità nominale	12000 /min
Diametro massimo disco	125 mm
Diametro interno disco	22.2 mm
Filettatura perno	M14
Classe di protezione	□/II
Peso macchina	1.8 kg

INFORMAZIONI SUL RUMORE

Pressione acustica ponderata A

Potenza acustica ponderata A

K_{PA} & K_{WA}

Indossare protezione per le orecchie 

L_{PA} : 85 dB(A)

L_{WA} : 96 dB(A)

3.0dB(A)

INFORMAZIONI SULLA VIBRAZIONE

I valori totali di vibrazione sono determinati secondo lo standard EN60745:

Vibrazione ponderata tipica	Valore emissione vibrazioni $a_{h,AG} = 6.5 \text{ m/s}^2$
	Incertezza $K = 1.5 \text{ m/s}^2$

- Il valore di vibrazione totale dichiarato è stato misurato secondo i metodi di prova standard e può essere utilizzato per confrontare un utensile o con un altro utensile;

- Il valore di vibrazione totale dichiarato può essere utilizzato anche per la valutazione preliminare dell'esposizione.



AVVERTENZA: Il valore delle vibrazioni emesse durante il reale utilizzo dello strumento possono differire dal valore dichiarato in base ai modi con cui viene usato lo strumento, ai seguenti esempi e ad altre variabili:

Come viene usato l'apparecchio e i materiali tagliati.

Le condizioni e la buona manutenzione dello strumento

L'uso dell'accessorio corretto per il taglio e la sua affilatura, nonché le sue buone condizioni.

La stretta sull'impugnatura e l'eventuale utilizzo di accessori antivibrazione.

L'adeguatezza dell'utilizzo dell'utensile rispetto a quanto previsto.

Questo strumento potrebbe causare la sindrome della vibrazione dell'avambraccio se il suo utilizzo non viene gestito correttamente



AVVERTENZA: Per essere precisi, una stima del livello di esposizione nelle attuali condizioni di utilizzo dovrebbe anche tenere conto di tutte le parti del ciclo operativo, come le volte in cui lo strumento viene spento e il tempo in cui viene lasciato girare a vuoto senza realmente fare il suo lavoro. Questo potrebbe ridurre significativamente il livello di esposizione sul periodo di lavoro totale.

Un aiuto a minimizzare il proprio rischio di esposizione alle vibrazioni.

Conservare questo strumento sempre in conformità a queste istruzioni e mantenerlo ben lubrificato (dove appropriato).

Se lo strumento deve essere usato regolarmente, investire in accessori antivibrazione.

Pianificare il programma di lavoro in modo da suddividere i lavori che implicano le maggiori vibrazioni nell'arco di più giorni.

ACCESSORI

Impugnatura supplementare

1

Cuffia di protezione per levigatura

1

Chiave

1

Si raccomanda di acquistare tutti gli accessori nello stesso negozio in cui è stato acquistato l'attrezzo. Fare riferimento alla confezione dell'accessorio per altri dettagli. Il personale del negozio può aiutarvi e consigliarvi.

SICUREZZA DEL PRODOTTO AVVISI GENERALI PER LA SICUREZZA DEGLI UTENSILI A MOTORE



ATTENZIONE! È assolutamente necessario leggere

attentamente tutte le istruzioni. Eventuali errori

nell'adempiimento delle istruzioni qui di seguito riportate potranno causare scosse elettriche, incendi e/o lesioni gravi.

Conservare tutti gli avvisi e le istruzioni per poterle consultare quando necessario.

Il termine qui di seguito utilizzato «utensile elettrico» si riferisce ad utensili elettrici alimentati dalla rete (con linea di allacciamento), nonché ad utensili elettrici alimentati a pile (senza linea di allacciamento).

1. POSTO DI LAVORO

- Mantenere pulito ed ordinato il posto di lavoro. *Il disordine e le zone di lavoro non illuminate possono essere fonte di incidenti.*
- Evitare d'impiegare l'utensile in ambienti soggetti al rischio di esplosioni nei quali si trovino liquidi, gas o polveri infiammabili. *Gli utensili elettrici producono scintille che possono far infiammare la polvere o i gas.*
- Mantenere lontani i bambini ed altre persone durante l'impiego dell'utensile elettrico. *Eventuali distrazioni potranno comportare la perdita del controllo sull'utensile.*

2. SICUREZZA ELETTRICA

- La spina per la presa di corrente dovrà essere adatta alla presa. Evitare assolutamente di apportare modifiche alla spina. Non impiegare spine adattatrici assieme ad utensili con collegamento a terra. *Le spine non modificate e le prese adatte allo scopo riducono il rischio di scosse elettriche.*
- Evitare il contatto fisico con superfici collegate a terra, come tubi, riscaldamenti, cucine elettriche e frigoriferi. *Sussiste un maggior rischio di scosse elettriche nel momento in cui il corpo è messo a massa.*
- Custodire l'utensile al riparo dalla pioggia o dall'umidità. *L'eventuale infiltrazione di acqua in un utensile elettrico va ad aumentare il rischio d'insorgenza di scosse elettriche.*

- Non usare il cavo per scopi diversi da quelli previsti al fine di trasportare o appendere l'apparecchio, oppure di togliere la spina dalla presa di corrente. *Mantenere l'utensile al riparo da fonti di calore, dall'olio, dagli spigoli da parti di strumenti in movimento. I cavi danneggiati o aggrovigliati aumentano il rischio d'insorgenza di scosse elettriche.*
- Qualora si voglia usare l'utensile all'aperto, impiegare solo ed esclusivamente cavi di prolunga omologati per l'impiego all'esterno. *L'uso di un cavo di prolunga omologato per l'impiego all'esterno riduce il rischio d'insorgenza di scosse elettriche.*
- Se si deve utilizzare l'utensile a motore in un luogo umido, utilizzare una fonte di alimentazione con protezione a corrente residua. *L'uso di un dispositivo a corrente residua riduce il rischio di folgorazioni elettriche.*

3. SICUREZZA DELLE PERSONE

- È importante concentrarsi su ciò che si sta facendo e a maneggiare con giudizio l'utensile elettrico durante le operazioni di lavoro. *Non utilizzare l'utensile in caso di stanchezza o sotto l'effetto di droghe, bevande alcoliche e medicinali. Un attimo di distrazione durante l'uso dell'utensile potrà causare lesioni gravi.*
- Indossare sempre equipaggiamento protettivo individuale, nonché guanti protettivi. *Se si avrà cura d'indossare equipaggiamento protettivo individuale come la maschera antipolvere, la calzatura antisdrucciolevole di sicurezza, il casco protettivo o la protezione dell'udito, a seconda dell'impiego previsto per l'utensile elettrico, si potrà ridurre il rischio di ferite.*
- Evitare avviamenti involontari. Controllare che l'interruttore sia nella posizione off prima di effettuare il collegamento a una sorgente di alimentazione/batteria, e prima di sollevare o trasportare l'utensile. *Il fatto di tenere il dito sopra all'interruttore o di collegare l'utensile acceso all'alimentazione di corrente potrà essere causa di incidenti.*
- Togliere gli attrezzi di regolazione o la chiave inglese prima di accendere l'utensile. *Un utensile o una chiave inglese che si trovino in una parte di strumento in rotazione potranno causare lesioni.*
- È importante non sopravvalutarsi. *Avere curadi mettersi in posizione sicura e di mantenere l'equilibrio. In tale maniera sarà possibile controllare meglio l'apparecchio in situazioni inaspettate.*

f) Indossare vestiti adeguati. Evitare di indossare vestiti lenti o gioiellati. Tenere i capelli, i vestiti ed i guanti lontani da pezzi in movimento. Vestiti lenti, gioielli o capelli lunghi potranno impigliarsi in pezzi in movimento.

g) Se sussiste la possibilità di montare dispositivi di aspirazione o di captazione della polvere, assicurarsi che gli stessi siano stati installati correttamente e vengano utilizzati senza errori. L'impiego dei suddetti dispositivi diminuisce il pericolo rappresentato dalla polvere.

4. MANEGGIO ED IMPIEGO ACCURATO DI UTENSILI ELETTRICI

a) Non sovraccaricare l'utensile. Impiegare l'utensile elettrico adatto per sbrigare il lavoro. Utilizzando l'utensile elettrico adatto si potrà lavorare meglio e con maggior sicurezza nell'ambito della gamma di potenza indicata.

b) Non utilizzare utensili elettrici con interruttori difettosi. Un utensile elettrico che non si può più accendere o spegnere è pericoloso e dovrà essere riparato.

c) Scollegare la spina dalla sorgente di alimentazione e/o la batteria dall'utensile prima di effettuare regolazione, cambiare accessori, o riporre gli utensili a motore. Tale precauzione eviterà che l'apparecchio possa essere messo in funzione inavvertitamente.

d) Custodire gli utensili elettrici non utilizzati al di fuori della portata dei bambini. Non fare usare l'apparecchio a persone che non sono abituate ad usarlo o che non abbiano letto le presenti istruzioni. Gli utensili elettrici sono pericolosi se utilizzati da persone inesperte.

e) Effettuare accuratamente la manutenzione dell'apparecchio. Verificare che le parti mobili dello strumento funzionino perfettamente e non s'inceppino, che non ci siano pezzi rotti o danneggiati al punto tale da limitare la funzione dell'apparecchio stesso. Far riparare le parti danneggiate prima d'impiegare l'apparecchio. Numerosi incidenti vengono causati da utensili elettrici la cui manutenzione è stata effettuata poco accuratamente.

f) Mantenere affilati e puliti gli utensili da taglio. Gli utensili da taglio curati con particolare attenzione e con taglienti affilati s'inceppano meno frequentemente e sono più facili da condurre.

g) Utilizzare utensili elettrici, accessori, attrezzi, ecc. in conformità con le presenti istruzioni e secondo quanto previsto per questo tipo specifico di apparecchio. Osservare le condizioni di lavoro ed il lavoro da eseguirsi durante l'impiego. L'impiego di utensili elettrici per usi diversi da quelli consentiti potrà dar luogo a situazioni di pericolo.

5. ASSISTENZA

a) Fare riparare l'apparecchio solo ed esclusivamente da personale specializzato e solo impiegando pezzi di ricambio originali. In tale maniera potrà essere salvaguardata la sicurezza dell'apparecchio.

ISTRUZIONI SULLA SICUREZZA PER OGNI TIPO DI FUNZIONAMENTO

AVVISI DI SICUREZZA COMUNI PER LE OPERAZIONI DI LEVIGATURA E TAGLIO:

a) Questo utensile può funzionare come molatrice, o come strumento per il taglio. Leggere tutti gli avvisi sulla

sicurezza, le istruzioni, le illustrazioni e le specifiche fornite con questo utensile elettrico. La mancata osservanza di queste istruzioni può esporre al rischio di folgorazioni elettriche, incendio e/o altre lesioni gravi.

b) Non si consiglia l'esecuzione di operazioni quali levigatura, pulizia con spazzola metallica, e lucidatura con questo utensile. L'esecuzione di operazioni per le quali l'utensile non è stato realizzato può esporre a rischi e lesioni personali.

c) Non utilizzare accessori che non sono stati realizzati in modo specifico e consigliati dal costruttore. Il fatto che sia possibile attaccare gli accessori sull'utensile non è garanzia di funzionamento sicuro.

d) La velocità nominale dell'accessorio deve essere almeno pari alla velocità massima dell'utensile. Accessori con velocità superiori a quella nominale possono essere proiettati via.

e) Il diametro esterno e lo spessore dell'accessorio devono essere compresi in quelli accettati dall'utensile. Non è possibile proteggere o controllare in modo adeguato accessori di dimensioni errate.

f) Accessori con filetto riportato devono essere adatti in modo preciso alla filettatura dell'alberino. Negli accessori che vengono montati tramite flangia, il diametro del foro dell'accessorio deve corrispondere al diametro di alloggiamento della flangia. Accessori che non vengono fissati in modo preciso all'elettrotensile non ruotano in modo uniforme, vibrano molto forte e possono provocare la perdita del controllo.

g) Non usare accessori danneggiati. Prima di ogni uso ispezionare l'accessorio, quali dischi abrasive per verificare la presenza di schegge e fessure, i supporti dei tamponi per controllare la presenza di fessure, usura o eccessiva usura. Se l'utensile o l'accessorio vengono fatti cadere, ispezionarli per verificare la presenza di danni, o utilizzare un accessorio non danneggiato. Dopo aver posizionato e installato un accessorio, posizionarsi e far collocare eventuali altre persone al di fuori del piano di rotazione dell'accessorio e far girare l'utensile senza carico per un minuto. Normalmente gli accessori danneggiati si rompono durante l'esecuzione di questa prova.

h) Indossare dispositivi di protezione individuali. In funzione dell'applicazione, usare una maschera per il volto, occhiali protettivi o occhiali di sicurezza. Se necessario indossare una mascherina per la polvere, dispositivi di protezione per l'udito, guanti e grembiule in grado di arrestare eventuali frammenti di piccole dimensioni. La protezione degli occhi deve essere in grado di arrestare piccolo frammenti generate dalle diverse operazioni. La mascherina antipolvere e il respiratore devono essere in grado di filtrare le particelle che si creano con il lavoro. L'esposizione prolungata a rumori molto forti può provocare la perdita dell'udito.

i) Far sostare altre persone a distanza di sicurezza dall'area di lavoro. Chi accede all'area di lavoro deve indossare un dispositivo di protezione individuale. Frammenti dell'oggetto su cui si sta lavorando o derivanti dalla eventuale rottura di un accessorio potrebbero essere proiettati via e provocare lesioni personali nell'area immediatamente attigua alla zona di lavoro.

j) Tenere l'utensile solo utilizzando le apposite superfici, in particolare durante l'esecuzione di operazioni nelle quali l'accessorio per il taglio può venire a contatto con cavi

nascosti.

- k) **Posizionare il cavo in modo che sia distante dall'accessorio rotante.** *Se si perde il controllo, il cavo potrebbe essere danneggiato o catturato e braccio e mano potrebbero essere tirati verso l'accessorio mentre è in rotazione.*
- l) **Non poggiare mai l'utensile fino a quando l'accessorio non si è arrestato completamente.** *L'accessorio, se ancora in rotazione, potrebbe far presa sulla superficie e far perdere il controllo dell'utensile.*
- m) **Non azionare l'utensile mentre lo si trasporta lateralmente.** *Il contatto accidentale con l'accessorio in rotazione potrebbe far catturare parti degli indumenti, che verrebbero trascinati all'interno dell'accessorio.*
- n) **Pulire con regolarità le aperture per la ventilazione dell'utensile.** *Le ventole del motore aspirano all'interno della scocca la polvere, e un accumulo eccessivo di polvere può esporre al rischio di folgorazioni.*
- o) **Non azionare l'utensile in prossimità di materiali infiammabili.** *Le scintille potrebbero provocare l'accensione di tali materiali.*
- p) **Non usare accessori che richiedono refrigeranti liquidi.** *L'uso di refrigeranti liquidi, quali acqua o altri liquidi, può esporre al rischio di folgorazione elettrica.*
- q) **La mano dell'utente deve essere sull'impugnatura mentre si lavora.** Usare sempre le impugnature ausiliarie in dotazione con l'apparecchio. Una perdita del controllo potrebbe causare lesioni alla persona.

ALTRE ISTRUZIONI SULLA SICUREZZA PER OGNI TIPO DI FUNZIONAMENTO

IL RISCHIO DI RIMBALZO INDIETRO E AVVISI RELATIVI

Il rimbalzo indietro è una reazione improvvisa causata dall'inceppamento di un disco, di un supporto per tampone, di un a spazzola o di un qualsiasi altro accessorio. L'inceppamento mette il disco in una condizione di stallo temporaneo e in al conseguente movimento incontrollato in direzione opposta dell'accessorio in rotazione, nel punto in cui si è verificato l'inceppamento.

Ad esempio, se un disco abrasivo si inceppa nel pezzo in lavorazione, il bordo esterno del disco che sta penetrando nel punto in cui si verifica l'inceppamento può affondare di più nella superficie del materiale, e di conseguenza il disco potrebbe saltare indietro. Il disco può saltare verso l'operatore o allontanarsi da esso, in relazione alla direzione di rotazione del disco nel punto in cui si verifica l'inceppamento. Inoltre i dischi abrasivi possono rompersi in queste condizioni.

Il rimbalzo indietro è il risultato di un uso e/o procedure errate, o di condizioni che possono essere evitate se si adottano le misure di sicurezza fornite di seguito.

- a) **Mantenere una presa salda sull'utensile e posizionare corpo e braccio in modo da opporre resistenza ad un eventuale rimbalzo.** *Utilizzare sempre le impugnature ausiliarie, se fornite, per esercitare il controllo massimo in caso di rimbalzo indietro o di reazioni all'avvio.* *L'operatore è in grado di controllare eventuali rimbalzi indietro, se si sono prese le misure adeguate.*
- b) **Non posizionare mai la propria mano in prossimità dell'accessorio in rotazione.** *Gli accessori possono rimbalzare e colpire la mano.*
- c) **Non posizionare il proprio corpo in una zona in cui probabilmente potrebbe arrivare l'utensile in caso di rimbalzo indietro.** *In caso di rimbalzo, l'utensile viene spinto*

in direzione opposta a quella del movimento del disco nel punto in cui si verifica l'inceppamento.

- d) **Prestare attenzione particolare quando si opera su angoli, bordi acuminati, ecc., evitare di avvicinare l'accessorio facendolo rimbalzare.** *Angoli, bordi acuminati hanno la tendenza a far rimbalzare l'accessorio con conseguente perdita del controllo o rimbalzo indietro.*
- e) **Non fissare una lama di sega a nastro o una lama di sega dentata.** *Questo tipo di lama crea frequenti rimbalzi all'indietro con conseguente perdita del controllo.*

ALTRE ISTRUZIONI SULLA SICUREZZA PER MOLATURA E TAGLIO

AVVISI DI SICUREZZA SPECIFICI PER LE OPERAZIONI DI SMERIGLIATURA E TAGLIO CON ABRASIONE:

- a) **Usare solo i dischi del tipo di quelli consigliati per questo utensile e la protezione specifica per il disco selezionato.** *Non è possibile proteggere in modo adeguati dischi non realizzati per questo utensile, che pertanto risultano essere poco sicuri.*
- b) **Dischi abrasivi piegati a gomito devono essere montati in modo tale che la loro superficie abrasiva non sporga oltre il piano del bordo della cuffia di protezione.** *Un disco abrasivo montato in modo non corretto che sporge dal piano del bordo della cuffia di protezione non può essere schermato sufficientemente.*
- c) **La protezione deve essere fissata bene all'utensile e posizionata in modo tale da garantire la massima sicurezza, in modo da esporre verso l'operatore una porzione ridotta del disco.** *La cuffia di protezione protegge l'operatore da frammenti, da contatto accidentale con l'utensile.*
- d) **I dischi devono essere utilizzati solo per le applicazioni specifiche per le quali sono stati realizzati.** *Ad esempio: non smerigliare con il fianco di dischi di taglio.* *I dischi abrasivi da taglio sono realizzati per smerigliare sul diametro, e le forze applicati sui lati possono farli saltare sulla superficie di lavoro.*
- e) **Utilizzare sempre flangie delle dimensioni e forma corretti per il disco selezionato.** *Le flangie idonee supportano il disco, riducendo così la possibilità di rottura del disco.* *La flangie per i dischi da taglio possono essere diverse dalle flangie per i dischi destinati alla smerigliatura.*
- f) **Non utilizzare dischi consumati, provenienti da utensili di dimensioni maggiori.** *I dischi realizzati per utensili di dimensioni maggiori non sono idonei per le velocità più elevate di utensili più piccoli e potrebbero rompersi.*

ALTRI AVVISI DI SICUREZZA SPECIFICI PER LE OPERAZIONI DI TAGLIO PER ABRASIONE

- a) **Evitare che il disco di taglio si inceppi e non applicare una pressione eccessiva.** *Evitare di fare tagli troppo profondi.* *Se si sottopone a stress eccessivo il disco, si aumentano le possibilità che il disco si pieghi con conseguente rischio di rimbalzo indietro o di rottura del disco.*
- b) **Non posizionare il proprio corpo in linea e dietro il disco.** *Quando il disco, nel punto di lavoro viene allontanato dal proprio corpo, il possibile rimbalzo può far sbatter il disco in rotazione e l'utensile direttamente sul corpo dell'operatore.*

- c) Se il disco si sta piegando o quando si interrompe il taglio per una qualsiasi ragione, spegnere e l'utensile e tenerlo fino all'arresto completo del disco. Non tentare mai di togliere il disco di taglio dal taglio mentre il disco è ancora in movimento, in caso contrario si rischia il rimbalzo all'indietro. *Eliminare le cause probabili che hanno portato alla piegatura del disco.*
- d) Non riavviare l'operazione di taglio del pezzo. Attendere che il disco sia arrivato alla velocità massima e rientrare nel taglio con attenzione. *Se l'utensile viene riavviato all'interno del taglio, il disco potrebbe piegarsi, saltare in avanti o rimbalzare indietro.*
- e) Sostenere pannelli e qualsiasi oggetto di lavorazione di grandi dimensioni per evitare che il disco si blocchi e causi un rimbalzo indietro. *Gli oggetti di grandi dimensioni tendono a piegarsi sotto il proprio peso. Collocare dei sostegni sotto l'oggetto in prossimità della linea di taglio, su entrambi i lati del disco.*
- f) Prestare particolare attenzione nella esecuzione di tagli cechi in pareti o altre parti non a vista. *Il disco potrebbe tagliare tubazioni dell'acqua o del gas, cavi elettrici o altri oggetti che potrebbero provocare il rimbalzo indietro dell'apparecchiatura.*

SIMBOLI



Per ridurre il rischio di lesioni, l'utente deve leggere il manuale di istruzioni



Attenzione



Doppio isolamento



Indossare protezione per le orecchie



Indossare protezione per gli occhi



Indossare una mascherina antipolvere



I prodotti elettrici non possono essere gettati tra i rifiuti domestici. L'apparecchio da rottamare deve essere portato al centro di riciclaggio per un corretto trattamento. Controllare con le autorità locali o con il rivenditore per localizzare il centro di riciclaggio più vicino.

ISTRUZIONI DI FUNZIONAMENTO



NOTA: Leggere scrupolosamente il manuale delle istruzioni prima di usare l'attrezzo.

USO CONFORME ALLE NORME

La macchina è idonea per troncare, sgrassare e spazzolare a secco materiali metallici e materiali pietrosi. Per la troncatura di metallo deve essere impiegata una cuffia di protezione speciale per la troncatura (non fornito).

MONTAGGIO

1. MONTAGGIO DELL'IMPUGNATURA SUPPLEMENTARE (VEDERE FIGURA. A)

È possibile scegliere, tra due posizioni di lavoro, quella che consente di controllare la smerigliatrice angolare nel modo più sicuro e comodo. Avvitare in senso orario l'impugnatura in uno dei due fori ai lati della scatola dell'ingranaggio.

NOTA: Bisognerà usare sempre questa impugnatura per mantenere il controllo completo dell'attrezzo.

2. REGOLAZIONE DELLA PROTEZIONE (VEDERE FIGURA. B1-B3)



AVVERTENZA: In caso di lavori con disco da sgrassare oppure con mole abrasive da taglio diritto è indispensabile che sia montata la calotta di protezione.

- Cuffia di protezione per levigatura

Allineare la proiezione sul dispositivo di protezione con l'incavo sulla scatola del cambio. Fissare saldamente il dispositivo di protezione per la smerigliatrice.

Allentare la vite di serraggio, se necessario.

Posizionare il dispositivo di protezione con la proiezione codificata nella scanalatura codificata sul collo dello spinotto della testa della macchina e ruotare nella posizione desiderata (posizione di lavoro). Serrare la vite di serraggio.

NOTA: Il lato chiuso della calotta di protezione deve essere rivolto sempre verso l'operatore.

3. INSERIMENTO DEI DISCHI (NON FORNITO) (VEDERE FIGURA. C1-C4)

Avvitare la flangia interna.

Prestare attenzione alle dimensioni del disco smerigliatore. Il diametro del foro di montaggio deve adattarsi alla flangia interna senza gioco.

Non utilizzare riduttori o adattatori.

Quando si utilizza un disco tagliante in diamante, prestare attenzione affinché la freccia di direzione di rotazione sul disco tagliante in diamante e la direzione di rotazione della macchina (freccia di direzione di rotazione sulla testa della macchina) siano concordi.

Posizionare il disco sull'albero utensile e sulla flangia interna. Assicurarsi che sia posizionato correttamente. Montare la flangia esterna filettata assicurandosi che sia rivolta nella direzione corretta per il tipo di disco installato. Avvitare la flangia esterna.

4. PULSANTE DI BLOCCO PERNO (VEDERE FIGURA. D)

Da utilizzare unicamente per la sostituzione del disco. Non premere mai quando il disco è in rotazione!

FUNZIONAMENTO

1. INTERRUOTTORE DI AVVIO/ARRESTO (VEDERE FIGURA. E)

Per avviare l'elettrotensile, premere prima il retro dell'interruttore on/off, poi premere l'interruttore on/off in avanti.

Per bloccare l'interruttore on / off, premere l'interruttore on / off

verso il basso nella parte anteriore fino a quando non si attiva. Per spegnere l'elettrotensile, rilasciare l'interruttore on / off, se è bloccato, premere a breve verso il basso la parte posteriore dell'interruttore on / off, poi rilasciarlo.

2. ZONE DI PRESA MANUALE (VEDERE FIGURA. F)

Durante il funzionamento, tenere sempre la smerigliatrice angolare saldamente con entrambe le mani.

3. USO DELLA SMERIGLIATRICE (VEDERE FIGURA. G)



ATTENZIONE: Non accendere la smerigliatrice mentre il disco è a contatto con il pezzo da lavorare. Attendere che il disco raggiunga la piena velocità prima di iniziare la molatura.

Tenere la smerigliatrice angolare con una mano sull'impugnatura principale e l'altra sull'impugnatura ausiliaria.

Posizionare sempre la protezione in modo da essere esposta verso l'operatore tanto quanto la porzione esposta del disco.

Attenzione alle scintille quando il disco tocca il metallo.

Per un miglior controllo dell'utensile, la rimozione del materiale e un sovraccarico minimo, durante la molatura mantenere un angolo di circa 15°-30° fra il disco e la superficie di lavoro.

Fare attenzione quando si lavora sugli angoli, dato che la superficie di intersezione può far saltare o girare la smerigliatrice.

Una volta completata la molatura far raffreddare il pezzo. Non toccare la superficie bollente.

4. TRONCARE (VEDERE FIGURA. H)



AVVERTENZA! Per la troncatura di metallo utilizzare sempre la cuffia di protezione per la troncatura (non fornito).

Durante l'operazione di troncatura, non premere, non dare angolature e non oscillare. Operare avanzando moderatamente adattandosi al tipo di materiale in lavorazione.

Non cercare di frenare dischi abrasivi in fase di arresto esercitando pressione lateralmente. Importante è la direzione in cui si esegue l'operazione di troncatura.

La macchina deve operare sempre in senso opposto a quello della rotazione. Per questo motivo, mai dirigerla nella direzione inversa! In un tal caso si viene infatti a creare il pericolo che la macchina possa sbalzare fuori dal taglio in modo incontrollato.

5. SPAZZOLE AUTO-FERMARE IN CARBONIO (VEDERE FIGURA. I)

Prima di eseguire qualsiasi operazione sulla macchina stessa, rimuovere la spina.

Quando la punta isolata in resina nella spazzola di carbone è esposta al commutatore, spegnerà automaticamente il motore.

Quando ciò accade, è necessario sostituire due spazzole di carbone. Mantenere pulita la spazzola di carbone e far scorrere liberamente sul supporto. Entrambe le spazzole di carbone devono essere sostituite contemporaneamente. Usa solo la stessa spazzola di carbone.

6. SOVRACCARICO

Il sovraccarico danneggia il motore della smerigliatrice. Il sovraccarico può essere dovuto a un uso intensivo dell'utensile per periodi prolungati. Non esercitare mai troppa pressione sull'utensile per velocizzare il lavoro. I dischi abrasivi funzionano in modo più efficiente con una pressione leggera, evitando il calo di velocità dell'utensile.

Se l'utensile diventa troppo caldo, azionarlo a vuoto per 2-3 minuti finché non raggiunge la normale temperatura operativa.

7. PROTEZIONE DA BLACKOUT

Quando l'alimentazione elettrica viene improvvisamente interrotta, la macchina si fermerà. Quando l'alimentazione viene riattivata dopo un black-out, la macchina non si avvierà da sola, è necessario rilasciare l'interruttore e riavviare la macchina.

SUGGERIMENTI OPERATIVI PER LA SMERIGLIATRICE ANGOLARE

1. Avviarla sempre senza carico per raggiungere la velocità massima, quindi cominciare la lavorazione.
2. Non forzare il disco a lavorare più velocemente; una velocità inferiore significa una maggiore durata.
3. Posizionare sempre il disco a un angolo di 15-30 gradi rispetto al pezzo da lavorare. Un angolo maggiore causerà la formazione di solchi nel pezzo e rovinerà la finitura della superficie. Spostare la smerigliatrice angolare sul pezzo da lavorare in tutte le direzioni.
4. Quando si utilizza un disco di taglio, non cambiare mai l'angolo di taglio; si rischia di bloccare il disco e il motore della smerigliatrice o di rompere il disco. Mentre si taglia, spostare il disco unicamente nella direzione opposta rispetto alla sua rotazione. Se lo si sposta nella stessa direzione della rotazione, il disco potrebbe balzare fuori dalla fessura di taglio.
5. Per tagliare del materiale molto duro, si ottengono i risultati migliori con un disco diamantato.
6. Il disco diamantato può surriscaldarsi con l'uso. In tal caso si vedrà un anello di scintille attorno al disco in rotazione. Interrompere l'operazione di taglio e attendere che il disco si raffreddi facendolo ruotare senza carico per 2-3 minuti.
7. Verificare sempre che il pezzo da lavorare sia fissato saldamente per evitare che si sposti durante la lavorazione.

MANUTENZIONE

Rimuovere la spina dalla presa di corrente prima di eseguire qualsiasi regolazione, riparazione o manutenzione.

All'interno dell'attrezzo non ci sono parti riparabili da parte dell'utente. Non usare mai acqua o detergenti chimici per pulire l'attrezzo. Pulire con un panno asciutto. Conservare sempre gli attrezzi elettrici in luoghi asciutti. Tenere pulite le aperture di ventilazione del motore. Tenere puliti dalla polvere tutti i controlli operativi. La formazione di scintille all'interno delle aperture di ventilazione, è un fenomeno normale che non crea danni all'attrezzo.

Se il cavo d'alimentazione è danneggiato, deve essere sostituito dal produttore, il suo distributore o persona egualmente qualificata per evitare pericoli.

TUTELA AMBIENTALE



I prodotti elettrici non possono essere gettati tra i rifiuti domestici. L'apparecchio da rottamare deve essere portato al centro di riciclaggio per un corretto trattamento. Controllare con le autorità locali o con il rivenditore per localizzare il centro di riciclaggio più vicino.

RISOLUZIONE GUASTI

Anche se la nuova smerigliatrice angolare è molto semplice da utilizzare, in caso di problemi controllare quanto segue:

1. Se la smerigliatrice non funziona, controllare l'alimentazione sulla spina principale.
2. Se il disco della smerigliatrice traballa o vibra, controllare che la flangia esterna sia stretta, e che il disco sia posizionato correttamente sulla parte piatta della flangia.
3. Non usare il disco se mostra segni evidenti di danni, perché potrebbe rompersi. Rimuoverlo e sostituirlo con un disco nuovo. Smaltire i vecchi dischi secondo quanto stabilito dalle norme in materia.
4. La lavorazione dell'alluminio o di leghe morbide simili, ostruisce rapidamente il disco, che non molerà efficacemente.
5. Se l'errore non può essere corretto, restituire l'utensile a un rivenditore autorizzato o al suo agente di servizio per la riparazione.

DICHIARAZIONE DI CONFORMITÀ

Noi,
POSITEC Germany GmbH
Postfach 32 02 16, 50796 Cologne, Germany

Dichiara che l'apparecchio,
Descrizione **Smerigliatrice angolare**
Codice **WS4750.1 (47-designazione del macchinario rappresentativo del Smerigliatrice angolare)**
Funzioni **Smerigliatura periferica e laterale**

È conforme alle seguenti direttive:
2006/42/EC, 2011/65/EU & (EU)2015/863, 2014/30/EU

Conforme a,
EN 55014-1, EN 55014-2, EN IEC 61000-3-2, EN 61000-3-3, EN 60745-1, EN 60745-2-3

Il responsabile autorizzato alla compilazione della documentazione tecnica,

Nome **Marcel Filz**
Indirizzo **POSITEC Germany GmbH**
Postfach 32 02 16, 50796 Cologne, Germany



2023/05/05
Allen Ding
Vice capo ingegnere, testing e certificazione
Positec Technology (China) Co., Ltd
18, Dongwang Road, Suzhou Industrial
Park, Jiangsu 215123, P. R. China

LISTA DE COMPONENTES

1. Mango auxiliar
2. Botón de bloqueo del husillo
3. Interruptor encendido / apagado
4. Protección de la rueda de moler
5. Disco de esmerilado *
6. Brida Exterior
7. Brida Interior
8. llave
9. Tornillo de sujeción

* No todos los adjuntos ilustrados o descritos están incluidos en la entrega estándar.

DATOS TÉCNICOS

Modelo WS4750.1(47- designación de maquinaria, representantes de Amoladora Angular)

Tensión nominal	220-240V~50/60Hz
Potencia	900W
Velocidad nominal	12000 /min
Diámetro de disco	125 mm
Diámetro interior del disco	22.2 mm
Filete de rosca del husillo	M14
Clase de protección	□/II
Peso	1.8 kg

INFORMACIÓN SOBRE EL RUIDO

Nivel de presión acústica ponderada

Nivel de potencia acústica ponderada

K_{PA} & K_{WA}

Utilice protección auditiva. 

L_{PA} : 85 dB(A)

L_{WA} : 96 dB(A)

3.0dB(A)

INFORMACIÓN DE VIBRACIÓN

Valores totales de vibración (suma vectorial triangular) determinados según la norma EN 60745:

Amolado de superficies o corte abrasivo	Valor de emisión de vibración $a_{h,AG} = 6.5 \text{ m/s}^2$
	Incertidumbre $K = 1.5 \text{ m/s}^2$

- El valor de emisión de ruido declarado se ha medido de acuerdo con un método de ensayo estándar y puede utilizarse para comparar una herramienta con otra.

- El valor de emisión de ruido declarado también puede utilizarse en una evaluación preliminar para su exposición.



ADVERTENCIA: El valor de emisión de vibraciones durante el uso de la herramienta podría ser distinto al valor declarado dependiendo de la forma en que se use la herramienta según las condiciones siguientes, y otras variaciones sobre el uso de la herramienta:

Cómo se utiliza la herramienta y se cortan o perforan los materiales.

Si la herramienta se encuentra en buenas condiciones de mantenimiento.

Si se utiliza el accesorio correcto para la herramienta y se garantiza que está afilado y en buenas condiciones.

Si se agarran las asas firmemente y se utilizan accesorios antivibración.

Y si la herramienta se utiliza según su diseño y estas instrucciones.

Esta herramienta podría causar síndrome de vibración del brazo y la mano si no se utiliza correctamente.



ADVERTENCIA: Para conseguir una mayor precisión, debe tenerse en cuenta una estimación del nivel de exposición en condiciones reales de todas las partes del ciclo de uso, como los tiempos durante los que la herramienta está apagado o cuando está en funcionamiento pero no está realizando ningún trabajo. Ello podría reducir notablemente el nivel de exposición sobre el periodo de carga total. Ayuda a minimizar el riesgo de exposición a la vibración.

Mantenga esta herramienta de acuerdo con estas instrucciones y bien lubricada (si es necesario).

Si la herramienta se utiliza regularmente, invierta en accesorios antivibración.

Planifique su programa de trabajo para distribuir el uso de la herramienta a lo largo de varios días.

ACCESORIOS

Empuñadura auxiliar

1

Caperuza protectora de rueda para amolar

1

Llave

1

Recomendamos que adquiera todos sus accesorios en el mismo comercio donde compró la herramienta. Elija los accesorios de acuerdo con el trabajo que pretende realizar. Consulte los estuches de los accesorios para más detalles. El personal del comercio también puede ayudar y aconsejar.

SEGURIDAD DEL PRODUCTO

ADVERTENCIA DE SEGURIDAD GENERALES SOBRE HERRAMIENTAS ELÉCTRICAS



¡ADVERTENCIA! Leer todas las instrucciones. Si no se respetan las instrucciones, existe un riesgo de descargas eléctricas, de incendio y/o de graves heridas.

Conserve todas las advertencias e instrucciones para futuras consultas.

El término "herramienta eléctrica" en todas las advertencias siguientes corresponde a la herramienta eléctrica con o sin cable.

1. ZONA DE TRABAJO

- Mantener su lugar de trabajo limpio y bien iluminado. Bancos de trabajo desordenados y lugares oscuros invitan a los accidentes.
- No utilizar herramientas eléctricas en atmósferas explosivas, como por ejemplo en presencia de líquidos inflamables, gases o polvo. Las herramientas eléctricas crean chispas que pueden encender el polvo o los vapores.
- Mantener alejados a los niños y visitantes mientras opera una herramienta eléctrica. Las distracciones pueden hacerle perder el control.

2. SEGURIDAD ELÉCTRICA

- Los enchufes de la herramienta eléctrica deben encajar perfectamente en el tomacorriente. Nunca modificar el enchufe de ninguna manera. No utilizar adaptadores con herramientas eléctricas conectadas a tierra. Los enchufes no modificados y los que encajan perfectamente en el tomacorriente reducirán el riesgo de descarga eléctrica.
- Evitar el contacto del cuerpo con superficies conectadas a tierra tales como caños, radiadores, cocinas y heladeras. Existe un riesgo creciente de descarga eléctrica si su cuerpo queda conectado a tierra.
- No exponer las herramientas eléctricas a la lluvia y no guardar en lugares húmedos. El agua que penetra en ellas aumentará el riesgo de una descarga eléctrica.
- No abusar del cable. Nunca utilizar el cable para transportar, tirar o desconectar la herramienta eléctrica. Mantener el cable alejado del calor, del aceite, de bordes agudos o piezas móviles. Los cables dañados o enredados

umentan el riesgo de descarga eléctrica.

- Cuando utilice su herramienta eléctrica al aire libre, emplear un prolongador apto para uso en exteriores. El empleo de cables para uso al aire libre reduce el riesgo de descarga eléctrica.
- Si es necesario utilizar la herramienta motorizada en un lugar muy húmedo, utilice una fuente de alimentación con dispositivo de corriente residual (RCD). El uso de un RCD reduce el riesgo de descarga eléctrica.

3. SEGURIDAD PERSONAL

- Mantenerse alerta, poner atención en lo que está haciendo y utilice el sentido común mientras opera una herramienta eléctrica. No emplear la herramienta cuando se encuentre cansado o bajo la influencia de drogas, alcohol o medicación. Un momento de falta de atención durante el manejo de herramientas eléctricas puede dar lugar a daños corporales serios.
- Utilizar equipo de seguridad. Usar siempre protección ocular. Equipo de seguridad como máscaras contra el polvo, zapatos antiderrapantes de seguridad, sombrero o protección auditiva para condiciones apropiadas reducirá daños corporales.
- Evite el arranque accidental. Asegúrese de que el interruptor se encuentra desactivado antes de enchufar la máquina o colocar la batería, al tomar la herramienta o transportarla. Transportar herramientas con el dedo en el interruptor o enchufar la herramienta cuando el interruptor está encendido invitan a los accidentes.
- Retire llaves de ajuste o llaves inglesas antes de poner la herramienta en funcionamiento. Una llave que queda unida a una pieza móvil de la herramienta puede originar daños corporales.
- No extralimitarse. Mantenerse firme y con buen equilibrio en todo momento. Esto permite un mejor control de la herramienta en situaciones inesperadas.
- Vestirse apropiadamente. No usar ropa suelta ni alhajas. Mantener su cabello, ropa y guantes alejados de las piezas móviles. La ropa suelta, las alhajas o el cabello largo pueden ser atrapados por las piezas móviles.
- Si se proporcionan dispositivos para la extracción y recolección de polvo, asegurarse de que estos estén conectados y utilizados correctamente. El uso de estos dispositivos puede reducir peligros relacionados con el polvo.

4. MANTENIMIENTO DE LA HERRAMIENTA MOTORIZADA

- a) **No forzar la herramienta eléctrica. Utilizar la herramienta eléctrica correcta para su aplicación.** *La herramienta eléctrica correcta hará el trabajo mejor y más seguro a la velocidad para la cual fue diseñada.*
- b) **No utilizar la herramienta eléctrica si el interruptor no la enciende o apaga.** *Cualquier herramienta eléctrica que no pueda ser controlada con el interruptor es peligrosa y debe ser reparada.*
- c) **Desconecte el enchufe de la toma eléctrica y/o la batería de la herramienta antes de realizar cualquier ajuste, cambiar un accesorio o guardar la herramienta.** *Tales medidas de seguridad preventivas reducen el riesgo de arranque accidental de la herramienta.*
- d) **Mantener las herramientas eléctricas que no usa fuera del alcance de los niños y no permita que personas no familiarizadas con la herramienta o con estas instrucciones maneje la herramienta eléctrica.** *Las herramientas eléctricas son peligrosas en manos de usuarios inexpertos.*
- e) **Revisar las herramientas eléctricas.** *Comprobar si hay desalineamiento o atascamiento de piezas móviles, rotura de piezas en general y cualquier otra condición que pueda afectar la operación normal de la herramienta. Si se verifican daños, recurra a un service calificado antes de volver a usar la herramienta. Las herramientas mal mantenidas causan muchos accidentes.*
- f) **Mantener las piezas de corte limpias y afiladas.** *Puesto que son menos probables de atascarse y más fáciles de controlar.*
- g) **Utilizar la herramienta eléctrica, accesorios y brocas etc., de acuerdo con estas instrucciones y de la manera prevista para el tipo particular de herramienta eléctrica, teniendo en cuenta las condiciones de trabajo y el trabajo a ser realizado.** *El uso de la herramienta eléctrica para otras operaciones distintas de lo previsto podría dar lugar a una situación peligrosa.*

5. REPARACIÓN

- a) **Permitir que el mantenimiento de su herramienta eléctrica sea efectuado por una persona calificada usando solamente piezas de recambio idénticas.** *Esto es primordial para mantener la seguridad de la herramienta eléctrica.*

INSTRUCCIONES DE SEGURIDAD PARA TODAS LAS OPERACIONES

ADVERTENCIAS DE SEGURIDAD COMUNES PARA OPERACIONES DE AMOLADURA O CORTE ABRASIVO:

- a) **Esta herramienta eléctrica ha sido diseñada para funcionar como amoladora, o herramienta de corte.** *Familiarícese con todas las advertencias e instrucciones de seguridad, ilustraciones y especificaciones proporcionadas con esta herramienta. Si no sigue las instrucciones que se presentan a continuación podrían producirse descargas eléctricas, incendios y/o serias lesiones.*
- b) **No se recomienda realizar operaciones de lijado, cepillado metálico, pulido con esta herramienta.** *Las operaciones para las que la herramienta no ha sido diseñada podrían suponer un riesgo y causar lesiones personales.*
- c) **No utilice accesorios que no hayan sido diseñados y**

- recomendados específicamente por el fabricante de la herramienta.** *El hecho de que pueda colocar un accesorio en su herramienta no implica que su uso sea seguro.*
- d) **La velocidad nominal del accesorio debe ser al menos igual a la velocidad máxima marcada en la herramienta.** *Los accesorios que funcionen por encima de su velocidad nominal podrían salir disparados.*
- e) **El diámetro exterior y el grosor del accesorio debe encontrarse dentro de la capacidad de su herramienta.** *Los accesorios del tamaño incorrecto no podrán protegerse y controlarse correctamente.*
- f) **Los útiles de fijación a rosca deberán ajustar exactamente en la rosca del husillo.** *En los útiles de fijación por brida su diámetro de encaje deberá ser compatible con el de alojamiento en la brida. Los útiles que no vayan fijados exactamente sobre la herramienta eléctrica giran descentrados, vibran mucho, y pueden hacerle perder el control sobre el aparato.*
- g) **No utilice un accesorio dañado.** *Antes de cada uso, inspeccione el accesorio en busca de defectos: las ruedas abrasivas con grietas o residuos, los paneles de apoyo con grietas, deterioros o desgaste excesivo. Si se deja caer la herramienta, inspeccione los daños o instale un accesorio nuevo. Después de inspeccionar e instalar un accesorio, colóquese usted mismo y a todos los observadores lejos del plano de rotación del accesorio y ponga la herramienta en funcionamiento a la máxima velocidad sin carga durante un minuto. Los accesorios dañados suelen romperse durante esta prueba.*
- h) **Utilice equipamiento de protección personal.** *Dependiendo de la aplicación, utilice escudos faciales, gafas de seguridad o protección ocular. Si es necesario, utilice una máscara antipolvo, protectores auditivos, guantes y delantal que permitan detener los pequeños fragmentos abrasivos. La protección ocular debe detener los residuos voladores generados por las distintas operaciones. La máscara antipolvo o el respirador deben ser capaces de filtrar partículas generadas por el uso. La exposición prolongada a ruidos de alta intensidad podría provocar problemas auditivos.*
- i) **Mantenga a los observadores a una distancia segura, alejados del área de trabajo.** *Cualquier persona que penetre en el área de trabajo debe utilizar equipamiento de protección personal. Los fragmentos de una pieza de trabajo o un accesorio roto podrían volar y causar lesiones lejos del área inmediata de uso.*
- j) **Sostenga la herramienta únicamente por medio de superficies aislantes, al realizar una operación en la que el accesorio de corte pueda entrar en contacto con cableado oculto.** *El contacto con conductores bajo tensión puede hacer que las partes metálicas del aparato le provoquen una descarga eléctrica.*
- k) **Coloque el cable lejos de los accesorios giratorios.** *Si pierde el control, el cable podría cortarse o quedar atascado, arrastrando su mano o brazo hacia el accesorio giratorio.*
- l) **No deposite la herramienta hasta que el accesorio se haya detenido por completo.** *El accesorio giratorio podría arrastrar la superficie y tirar de la herramienta fuera de su control.*
- m) **No utilice la herramienta mientras la transporta a un lado.** *El contacto accidental con el accesorio giratorio podría arrastrar su ropa, atrayendo el accesorio hacia su cuerpo.*
- n) **Limpie regularmente las ventilaciones de la herramienta.** *El ventilador del motor arrastra el polvo hacia el interior de la*

carcasa, y la acumulación excesiva de polvo metálico podría generar riesgos eléctricos.

- o) **No utilice la herramienta cerca de materiales inflamables.** Las chispas podrían prender los materiales.
- p) **No utilice accesorios que requieran refrigerantes líquidos.** El uso de agua u otros refrigerantes líquidos podría provocar una electrocución o descarga.
- q) Sostenga el asa con la mano mientras trabaja. Utilice siempre las asas auxiliarse suministradas con la herramienta. La pérdida de control podría provocar lesiones personales.

OTRAS INSTRUCCIONES DE SEGURIDAD PARA TODAS LAS OPERACIONES

ADVERTENCIAS SOBRE RETROCESO Y RELACIONADAS

El retroceso es una reacción súbita provocada por una pieza giratoria, panel de lijado, cepillo u otro accesorio atascado. El atasco causa una rápida detención de accesorio giratorio, que a su vez provoca una fuerza sin control en la herramienta, opuesta a la dirección de giro del accesorio en el punto del atasco. Por ejemplo, si una rueda de lijado queda atascada en la pieza de trabajo, el borde de la rueda que entra en la superficie del material podría producir un retroceso. La rueda podría saltar hacia el usuario o en dirección contraria, dependiendo de la dirección de movimiento de la rueda en el punto del atasco. Las ruedas de lijado podrían además romperse en estas condiciones. El retroceso es el resultado del mal uso de la herramienta y/o un procedimiento de uso o condición que pudiera evitarse tomando las precauciones siguientes.

- a) **Mantenga agarrada la herramienta con firmeza y coloque su cuerpo y sus brazos de forma que pueda resistir las fuerzas de retroceso. Utilice siempre el asa auxiliar, si existe, para mantener el máximo control del retroceso o la reacción de torsión durante el arranque.** El usuario puede controlar la reacción de torsión o las fuerzas de retroceso si se toman las precauciones adecuadas.
- b) **Nunca coloque las manos cerca del accesorio giratorio.** El accesorio podría retroceder sobre su mano.
- c) **No coloque su cuerpo en el área en el que pueda producirse un retroceso de la herramienta, la fuerza de retroceso empujará la herramienta en dirección opuesta al movimiento de la rueda en el punto del atasco.**
- d) **Tenga especial cuidado al trabajar en esquinas, bordes afilados, etc. Evite hacer rebotar el accesorio.** Las esquinas, bordes afilados o botes tienen tendencia a atascar el accesorio giratorio y causan la pérdida de control o el retroceso.
- e) **No instale una hoja de labrado de madera de cadena de sierra u hoja de sierra dentada.** Con frecuencia, dichas hojas crean fuerzas de retroceso y situaciones de pérdida de control.

INSTRUCCIONES DE SEGURIDAD ADICIONALES PARA OPERACIONES DE AMOLADURA Y CORTE

ADVERTENCIAS DE SEGURIDAD ESPECÍFICAS DE LAS OPERACIONES DE AMOLADURA Y CORTE ABRASIVO

- a) **Utilice únicamente los tipos de rueda recomendados para su herramienta y la protección específica designada para la rueda seleccionada.** Las ruedas para las que la herramienta no haya sido diseñada no quedarán correctamente protegidas y serán inseguras.
- b) **Los discos de amolar con centro deprimido deberán montarse de manera que la cara de amolado no alcance a sobresalir del reborde de la caperuza de protección.** Un disco de amolar incorrectamente montado cuya cara frontal rebase el reborde de la caperuza de protección no puede ser convenientemente protegido.
- c) **La protección debe encontrarse firmemente colocada sobre la herramienta y posicionada para su máxima seguridad, de forma que se exponga la menor cantidad de la rueda hacia el operador.** La misión de la caperuza protectora es proteger al usuario de los fragmentos que puedan desprenderse del útil, del contacto accidental con este, y de las chispas que pudieran incendiar su ropa.
- d) **Las ruedas deben utilizarse únicamente para las aplicaciones recomendadas.** Por ejemplo: no realice amoladuras con el borde de una rueda de corte. Las ruedas de corte abrasivo se fabrican para la amoladura periférica. La aplicación de fuerza lateral sobre este tipo de ruedas puede causar su vibración.
- e) **Utilice siempre bridas de rueda sin daños, del tamaño y forma correctos para la rueda seleccionada.** Las bridas de rueda adecuadas soportan la rueda y reducen la posibilidad de rotura de la rueda. Las bridas para ruedas de corte podrían ser diferentes de las bridas de rueda de amoladura.
- f) **No utilice ruedas desgastadas de herramientas más grandes.** Las ruedas diseñadas para herramientas más grandes no son adecuadas para herramientas de mayor velocidad o más pequeñas y podrían explotar.

ADVERTENCIAS DE SEGURIDAD ESPECÍFICAS ADICIONALES PARA OPERACIONES DE CORTE ABRASIVO

- a) **No “atasque” la rueda de corte ni aplique presión excesiva sobre ella.** No intente hacer un corte demasiado profundo. Si fuerza la rueda aumentará la carga y la susceptibilidad de torcedura de la rueda en el corte, aumentando la posibilidad de retroceso o rotura de la rueda.
- b) **No coloque su cuerpo alineado y detrás del plano de giro de la rueda.** Si la rueda y el punto de operación se mueven en sentido contrario a su cuerpo, la posible fuerza de retroceso podría lanzar la rueda y la herramienta directamente hacia usted.
- c) **Si la rueda está sujeta o al interrumpir un corte por cualquier razón, desactive la herramienta y sostenga la herramienta sin movimiento hasta que se detenga por completo.** No intente retirar la rueda de corte mientras se encuentre en movimiento para evitar las fuerzas de retroceso. Investigue y tome las acciones correctoras

necesarias para eliminar la causa del atasco en la rueda.

- d) **No vuelva a iniciar la operación de corte con la pieza de trabajo. Deje que la rueda alcance toda la velocidad antes de comenzar el corte.** *La rueda podría atascarse o provocar una fuerza de retroceso si vuelve a colocarse sobre la pieza de trabajo.*
- e) **Coloque paneles de apoyo o piezas de trabajo más grandes para minimizar el riesgo de atascar la rueda.** *Las piezas de trabajo grandes tienden a doblarse por su propio peso. El soporte debe colocarse bajo la pieza de trabajo, cerca de la línea de corte y del borde de la pieza de trabajo, en ambos lados de la rueda.*
- f) **Tenga especial cuidado al realizar un corte en una pared u otra zona de la que no conozca el interior.** *La rueda sobresaliente podría cortar tuberías de gas o agua, cableado eléctrico u objetos que podrían causar retrocesos.*

SÍMBOLOS



Para reducir el riesgo de lesión, lea el manual de instrucciones



Advertencia



Doble aislamiento



Utilice protección auditiva



Utilice protección ocular



Utilice una máscara antipolvo



Los residuos de equipamientos eléctricos y electrónicos no deben depositarse con las basuras domésticas. Se recogen para reciclarse en centros especializados. Consulte las autoridades locales o su revendedor para obtener informaciones sobre la organización de la recogida

INSTRUCCIONES DE FUNCIONAMIENTO



ATENCIÓN: Antes de utilizar la herramienta, lea detenidamente el manual de instrucciones.

UTILIZACIÓN REGLAMENTARIA

El aparato ha sido proyectado para tronzar, desbastar y cepillar metales y materiales de piedra sin la aportación de agua. Para tronzar metal es necesario emplear una caperuza protectora especial para tronzar (no se incluye).

ENSAMBLAJE

1. EMPUÑADURA DELANTERA AJUSTABLE (VÉASE LA FIG. A)

Tiene 2 posiciones de trabajo que permiten una gran comodidad y un mejor control de la amoladora angular. La empuñadura está enroscada en el sentido de las agujas de un reloj en cualquier agujero de los sitios a ambos lados del cabezal de la máquina.

ATENCIÓN: Este mango debe utilizarse en todo momento para mantener el control completo de la herramienta.

2. AJUSTE DEL PROTECTOR DEL DISCO (VÉASE LA FIG. B1-B3)



ADVERTENCIA: Al trabajar con discos de desbastar o tronzar debe emplearse la caperuza protectora.

- Caperuza protectora de rueda para amolar

Alinee la proyección en la protección con la indentación en la caja de engranajes. Coloque firmemente la protección de la rueda para rectificarse.

Afloje el tornillo de sujeción, si es necesario.

Coloque la protección de la rueda con la proyección codificada en la ranura codificada en el cuello del husillo de la cabeza de la máquina y gírela a la posición requerida (posición de trabajo).

Apriete el tornillo de sujeción.

ATENCIÓN: El lado cerrado de la caperuza protectora debe mostrar siempre hacia el usuario.

3. MONTAJE DEL DISCO (NO SE INCLUYE) (VÉASE LA FIG. C1-C4)

Atornille la brida interna.

Preste atención a las dimensiones del disco de rectificado. El diámetro del agujero de montaje debe ajustarse a la brida interna sin holgura.

No utilice reductores o adaptadores.

Al utilizar un disco de corte de diamante, asegúrese de que la flecha de dirección de rotación en el disco de corte de diamante y la dirección de rotación de la máquina (flecha de dirección de rotación en la cabeza de la máquina) coincidan.

Coloque el disco en el husillo de la herramienta y en la brida interna. Asegúrese de que esté correctamente ubicado. Ajuste la brida exterior roscada asegurándose de que esté orientada en la dirección correcta para el tipo de disco instalado.

Atornille la brida exterior.

4. BOTÓN DE BLOQUEO DEL DISCO (VÉASE LA FIG. D)

Debe utilizarse únicamente durante el cambio del disco. Nunca apretar cuando el disco gira.

FUNCIONAMIENTO

1. INTERRUPTOR DE ENCENDIDO/APAGADO (VÉASE LA FIG. E)

Para iniciar la herramienta eléctrica, primero presione la parte posterior del interruptor de encendido / apagado, luego presione el interruptor de encendido / apagado hacia adelante.

Para bloquear el interruptor de encendido / apagado, presione el interruptor de encendido / apagado hacia abajo en la parte delantera hasta que se enganche.

Para apagar la herramienta eléctrica, presione brevemente la parte posterior del interruptor de encendido / apagado y luego suéltelo.

2. EMPUÑADURA AUXILIAR (VÉASE LA FIG. F)

Siempre sostenga su amoladora angular firmemente con ambas manos cuando se encuentre en funcionamiento.

3. PARA UTILIZAR LA AMOLADORA (VÉASE LA FIG. G)



ATENCIÓN: No encienda la amoladora cuando el disco está en contacto con la pieza de trabajo. Permita que el disco alcance su máxima velocidad antes de comenzar a tronzar.

Sostenga la amoladora angular firmemente con una mano sobre la empuñadura principal y la otra sobre la empuñadura auxiliar. Siempre ajuste la cubierta protectora a la posición donde la mayor parte posible del disco expuesto esté apuntando lejos de usted. Está preparado para las chispas producidas cuando el disco toque el metal.

Para el mejor control de herramienta, eliminación de material y minimización de sobrecarga, mantenga un ángulo entre el disco y la superficie de trabajo de aprox. 15° -30° al tronzar.

Tenga precaución al trabajar en las esquinas ya que el contacto con la superficie de intersección puede causar que la amoladora salte o tuerza. Al terminar de tronzar deje enfriar la pieza de trabajo. No toque la superficie caliente.

4. TRONZADO (VÉASE LA FIG. H)



ADVERTENCIA! Para tronzar metal, utilice siempre la caperuzza protectora para tronzar (no se incluye).

Al tronzar, el disco no debe presionarse excesivamente ni ladearse, ni guiarse con un movimiento oscilante. Trabajar con un avance moderado y adecuado al tipo de material a trabajar.

No frene los discos tronzadores en marcha por inercia presionándolos lateralmente contra el material.

Al tronzar es importante que el sentido de avance de la máquina sea el correcto.

El aparato debe guiarse siempre a contramarcha, ¡nunca en sentido opuesto! De lo contrario existe el riesgo de que el aparato sea rechazado bruscamente.

5. CEPILLOS DE CARBONO DE PARADA AUTOMÁTICA (VÉASE LA FIG. I)

Antes de trabajar en la máquina, desconecte el enchufe de la red.

Cuando la punta aislante de resina (a) dentro del cepillo de carbón (b) se expone al contacto del conmutador (c), se apagará automáticamente el motor. Cuando ésto ocurra, se deben reemplazar ambas escobillas de carbón. Mantenga las escobillas de carbón limpias y libres de deslizarse en los soportes. Ambas escobillas de carbón deben reemplazarse al mismo tiempo. Use solo escobillas de carbón idénticas.

6. SOBRECARGA

Si sobrecarga su amoladora, podría llegar a dañar su motor. Esto podrá suceder si utilizar su amoladora para trabajos de desbaste intensivo durante periodos prolongados.

Nunca ejerza demasiada presión sobre su amoladora en un intento de acelerar la tarea.

Los discos de desbaste funcionan con mayor eficacia cuando solo se les aplica una ligera presión. De esta manera, se evita ralentizar en exceso las revoluciones de la amoladora.

Si su amoladora llegar a sobrecalentarse, hágala funcionar en vacío durante un intervalo de 2 o 3 minutos para enfriarla, hasta que vuelva a alcanzar a su temperatura normal de funcionamiento.

7. PROTECCIÓN ANTE INTERRUPCIONES DE ENERGÍA

Cuando la alimentación eléctrica se interrumpe repentinamente, la máquina se detendrá. Cuando se enciende la alimentación después de una interrupción de energía, la máquina no se iniciará por sí sola, deberá liberar el interruptor y reiniciar la máquina.

CONSEJOS DE TRABAJO PARA SU HERRAMIENTA

1. Comience siempre sin carga para alcanzar la máxima velocidad y luego comience a trabajar.
2. No fuerce el disco para trabajar más rápido; la reducción de velocidad del disco significa un funcionamiento por más tiempo.
3. Trabaje siempre con un ángulo de 15-30 entre el disco y la pieza de trabajo. Ángulos más grandes cortarán cantos en la pieza de trabajo y afectan el acabado superficial. Desplace la amoladora angular a lo largo de la pieza, una y otra vez.
4. Cuando utilice un disco de corte nunca cambie el ángulo de

corte, ya que así atascará el disco o el motor de la amoladora, o romperá el disco. Cuando efectúe cortes, hágalo sólo en dirección opuesta a la rotación del disco. Si corta en la misma dirección de rotación del disco, éste puede proyectarse fuera de la ranura de corte.

5. Cuando corte materiales muy duros, puede lograr mejores resultados con un disco de diamante.
6. Cuando emplee un disco del diamante este se recalientará mucho. Si esto sucede, verá un anillo de chispas alrededor del disco en movimiento. Suspenda el corte y deje enfriar a velocidad sin carga durante 2-3 minutos.
7. Asegúrese siempre de sostener firmemente la pieza de trabajo -con o sin abrazaderas- para prevenir el movimiento.

MANTENIMIENTO

Retire el enchufe de la toma de corriente antes de efectuar cualquier ajuste, reparación o mantenimiento.

No posee piezas en su interior que deban ser reparadas por el usuario. Nunca emplee agua o productos químicos para limpiar su herramienta. Use simplemente un paño seco. Guarde siempre su herramienta en un lugar seco. Mantenga limpias las ranuras de ventilación del motor. Mantenga todos los controles de funcionamiento libres de polvo. La observación de chispas que destellan bajo las ranuras de ventilación indica un funcionamiento normal que no dañará su herramienta.

Si el cable de alimentación está dañado deberá ser reemplazado por el fabricante, su agente de servicio o por alguna persona cualificada para evitar riesgos.

PROTECCION AMBIENTAL



Los residuos de equipamientos eléctricos y electrónicos no deben depositarse con las basuras domésticas. Se recogen para reciclarse en centros especializados. Consulte las autoridades locales o su revendedor para obtener informaciones sobre la organización de la recogida.

RESOLUCIÓN DE PROBLEMAS

Aunque su nueva amoladora angular es realmente fácil de utilizar, si experimenta algún problema, compruebe los siguientes puntos:

1. Si su molinillo no funciona, verifique la alimentación en el enchufe principal.
2. Si vibra la rueda de la amoladora, compruebe que la brida exterior esté bien colocada y que la rueda esté bien colocada en la placa de la brida.
3. Si existen evidencias de daños en la rueda, no la utilice. La rueda dañada podría desintegrarse. Extráigala y reemplácela por una rueda nueva. Deshágase las ruedas antiguas con sensatez.
4. Si trabaja con aluminio u otra aleación similar, es posible que la rueda se atasque rápidamente y no realice la amoladura con eficacia.
5. Si no se puede corregir una avería, devuelva la herramienta a un distribuidor autorizado para su reparación.

DECLARACIÓN DE CONFORMIDAD

Los que reciben,
POSITEC Germany GmbH
Postfach 32 02 16, 50796 Cologne, Germany

Declaran que el producto

Descripción **Amoladora Angular**

Modelo **WS4750.1 (47- designación denominaciones de maquinaria, representantes de Amoladora Angular)**

Función **Afilado periférico y lateral**

Cumple con las siguientes Directivas:

2006/42/EC, 2011/65/EU & (EU)2015/863, 2014/30/EU

Cumple las normativas

EN 55014-1, EN 55014-2, EN IEC 61000-3-2, EN 61000-3-3 , EN 60745-1, EN 60745-2-3

La persona autorizada para componer el archivo técnico,

Nombre Marcel Filz

Dirección POSITEC Germany GmbH

Postfach 32 02 16, 50796 Cologne, Germany



2023/05/05

Allen Ding

Ingeniero Jefe Adjunto. Pruebas y Certificación.

Positec Technology (China) Co., Ltd

18, Dongwang Road, Suzhou Industrial

Park, Jiangsu 215123, P. R. China

СПИСЪК НА КОМПОНЕНТИТЕ

1. Допълнителна дръжка
2. Бутон за заключване на шпиндела
3. Ключ за включване/изключване
4. Предпазител за шлайфане
5. Шлифовъчен диск *
6. Външен фланец
7. Вътрешен фланец
8. Гаечен ключ
9. Страничен винт

* Не всички илюстрирани или описани аксесоари са включени в стандартния комплект.

ТЕХНИЧЕСКИ ДАННИ

Модел обозначение **WS4750.1(47- обозначение на машини, представляващи ъглошлайф)**

Номинално напрежение	220-240V~50/60Hz
Номинална входна мощност	900W
Номинална скорост	12000 /min
Размер на диска	125 mm
Отвор на диска	22.2 mm
Резба на шпиндела	M14
Клас на защита	□/II
Тегло на машината	1.8 kg

ИНФОРМАЦИЯ ЗА ШУМА

Претеглено звуково налягане

Претеглена звукова мощност

K_{PA} & K_{WA}

Носете антифони 

L_{PA} : 85 dB(A)

L_{WA} : 96 dB(A)

3.0dB(A)

ИНФОРМАЦИЯ ЗА ВИБРАЦИИТЕ

Обща стойност на вибрациите (триаксиална векторна сума), определена според EN 60745:

Повърхностно шлайфане	Стойност на вибрационните емисии $a_{h,AG} = 6.5 \text{ m/s}^2$
	Неопределеност $K = 1.5 \text{ m/s}^2$

- Декларираната обща стойност на вибрациите е измерена в съответствие с метод за стандартно измерване и може да се използва за сравняване на един инструмент с друг.

- Декларираната обща стойност на вибрациите може да се използва и за предварителна оценка на експозицията.



ПРЕДУПРЕЖДЕНИЕ: Стойността на вибрационната емисия по време на реалната експлоатация на електрическия инструмент може да се различава от декларираната стойност в зависимост от начините, по които се използва инструментът според следните примери и други варианти на употреба на инструмента:

Как се използва инструментът и какви материали се режат.

Добро състояние и правилна поддръжка на инструмента.

Използване на правилните аксесоари за инструмента и поддържането му остър и в добро състояние.

Стегнат захват на ръкохватките и използване на антивибрационни аксесоари.
Употреба на инструмента според дизайна му и тези инструкции.

Този инструмент може да предизвика синдром на вибрация „ръка-рамо“, ако употребата му не се управлява адекватно.

⚠ ПРЕДУПРЕЖДЕНИЕ: За да бъдем точни, е необходимо също да се вземе предвид оценката на нивото на експозиция в реалните условия на експлоатация за всички части на работния цикъл, като например времето, през което инструментът е изключен и когато работи на празен ход без реално да извършва работа.

Това може значително да намали нивото на експозиция през общия работен период.

Как да намалите риска от експозиция на вибрации.

Грижете се за инструмента според тези инструкции и го поддържайте смазан (където е приложимо).

Ако инструментът ще се използва редовно, инвестирайте в антивибрационни аксесоари.

Планирайте работния си график, за да разпределите употребата на високовибрационни инструменти в няколко отделни дни.

АКСЕСОАРИ

Допълнителна дръжка

1

Предпазител за шлайфане

1

Гаечен ключ

1

Препоръчваме ви да закупите аксесоарите си от същия магазин, в който е продаден инструментът. За повече информация вижте опаковката на аксесоарите. Персоналът на магазина може да ви помогне и да ви даде съвет.

ОРИГИНАЛНИ ИНСТРУКЦИИ БЕЗОПАСНОСТ НА ПРОДУКТА ОБЩИ ПРЕДУПРЕЖДЕНИЯ ЗА БЕЗОПАСНОСТ ЗА ЕЛЕКТРОИНСТРУМЕНТИ

⚠ ПРЕДУПРЕЖДЕНИЕ: Прочетете всички предупреждения за безопасност и всички инструкции. Неспазването на всички посочени инструкции може да доведе до токов удар, пожар и/или сериозно нараняване.

Запазете всички предупреждения и инструкции за бъдеща справка. Терминът „електроинструмент“ в предупрежденията се отнася за вашите електроинструменти, захранвани от мрежата (с кабел) или за електроинструментите, работещи с батерия (без кабел).

1) Безопасност на работното място

a) Поддържайте работното място чисто и добре осветено. Разхвърляните или тъмни места предизвикват инциденти.

b) Не работете с електроинструменти в експлозивни атмосфери, като например при наличие на запалими течности, газове или прах.

Електроинструментите произвеждат искри, които могат да запалят прах или изпарения.

c) Децата и наблюдателите трябва да стоят настрана, докато работите с електроинструмента. Разсейването може да доведе до загуба на контрол.

2) Електрическа безопасност

a) Щепселите на електроинструментите трябва да съответстват на контактите. Никога не модифицирайте щепсела по никакъв начин. Не използвайте никакви адаптерни щепсели със заземени електроинструменти. Немодифицираните щепсели и подходящите контакти ще намалят риска от токов удар.

b) Избягвайте контакт на тялото със заземени повърхности, като тръби, радиатори, кухненски печки и хладилници. Съществува повишен риск от токов удар, ако тялото ви бъде заземено.

c) Не излагайте електроинструментите на дъжд или влажни условия. Водата, навлизаща в електроинструмента, ще увеличи риска от токов удар.

d) Не повреждайте кабела. Никога не използвайте кабела, за да носите, дърпате или изключвате електроинструмента. Дръжте кабела далеч от топлина, масло, остри ръбове или движещи се части. Повредените или заплетени кабели повишават риска от токов удар.

e) Когато работите с електроинструмент на открито, използвайте удължителен кабел, подходящ за употреба на

открито. Употребата на кабел, подходящ за употреба на открито, намалява риска от токов удар.

- f) Ако е наложително да работите с електроинструмента във влажно място, използвайте защитно захранване с дефектооткокова защита (ДТЗ).** Използването на ДТЗ намалява риска от токов удар.
- 3) Лична безопасност**
- a) Бъдете нащрек, внимавайте какво правите и използвайте здравия си разум, когато работите с електроинструмент. Не използвайте електроинструмент, когато сте изморени или под влияние на наркотици, алкохол или лекарства.** Момент невнимание при работа с електроинструмент може да доведе до сериозни наранявания.
- b) Използвайте лични предпазни средства. Винаги носете защитни очила.** Предпазните средства като прахова маска, предпазни обущи против пързалеяне, каска или антифони, използвани за подходящите условия, ще намалят нараняванията.
- c) Предотвратяване на неволно стартиране. Уверете се, че превключвателят е в позиция изкл. (off), преди свързване към източник на захранване и/ или батериен пакет, вземане или носене на инструмента.** Носенето на електроинструменти с пръст върху превключвателя или енергизирането им при натиснат превключвател може да доведе до злополуки.
- d) Отстранете всеки регулиращ ключ или гаечен ключ преди да включите инструмента.** Гаечен ключ или друг ключ, прикрепен към въртяща се част на електроинструмента, може да доведе до наранявания.
- e) Не дръжте инструмента твърде далече. Непрекъснато спазвайте подходящо положение и баланс.** Това спомага за по-доброто управление на електроинструмента в непредвидени ситуации.
- f) Носете подходящо облекло. Не носете широки дрехи или бижута. Дръжте косата и дрехите си далеч от движещите се части.** Широките дрехи, бижута или дългата коса могат да бъдат захванати от движещите се части.
- g) Ако са осигурени устройства за свързване на уреди за извличане и събиране на прах, уверете се, че те са свързани и се използват правилно.** Използването на прахоуловители може да намали опасностите, свързани с праха.
- 4) Използване и грижа за електроинструмента**
- a) Не претоварвайте**
- електроинструмента. Използвайте правилния електроинструмент за вашите нужди.** Правилният електроинструмент ще свърши работата по-добре и по-безопасно при скоростта, за която е проектиран.
- b) Не използвайте електроинструмента, ако превключвателят не го включва и изключва.** Всеки електроинструмент, който не може да се управлява с превключвателя, е опасен и трябва да бъде ремонтиран.
- c) Изключете щепсела от източника на захранване и / или извадете батерииния пакет, ако се разглобява, от електроинструмента, преди да направите каквито и да е настройки, да смените аксесоарите или да съхранявате електроинструментите.** Подобни превантивни предпазни мерки намаляват риска от включване на електроинструмента по невнимание.
- d) Съхранявайте електроинструментите на място, недостъпно за деца, и не позволявайте на лица, които не са запознати с електроинструмента или с тези инструкции, да работят с електроинструмента.** Електроинструментите са опасни в ръцете на необучени потребители.
- e) Грижете се за електроинструментите и аксесоарите. Проверявайте за неправилно подравняване или свързване на движещите се части, счупване на части и всякакви други състояния, които могат да повлияят на работата на електроинструмента. При повреда, ремонтирайте инструмента преди употреба.** Много злополуки са причинени от лошо поддържани електроинструменти.
- f) Поддържайте режещите инструменти остри и чисти.** Правилно поддържаните режещи инструменти с остри режещи ръбове е по-малко вероятно да засичат при работа и са по-лесни за управление.
- g) Използвайте електроинструментите, аксесоарите и резците според настоящите инструкции, като отчитате условията на работа и работата, която ще се извършва.** Употребата на електроинструмента за операции, различни от тези, за които е предназначен, може да доведе до опасни ситуации.
- 5) Обслужване**
- a) Вашият електроинструмент трябва да се обслужва от квалифицирано лице, което използва само оригинални резервни части.** Това ще гарантира запазването на безопасността на електроинструмента.

ИНСТРУКЦИИ ЗА БЕЗОПАСНОСТ ЗА ВСИЧКИ ОПЕРАЦИИ

ОБЩИ ИНСТРУКЦИИ ЗА БЕЗОПАСНОСТ ЗА ШЛАЙФАНЕ ИЛИ АБРАЗНО РЯЗАНЕ

- a) Този електроинструмент е предназначен да работи като ъглошлайф или като инструмент за рязане. Прочетете всички предупреждения за безопасност, инструкции, илюстрации и спецификации, предоставени с този електроинструмент. Неспазването на всички посочени инструкции може да доведе до токов удар, пожар и/или сериозно нараняване.**
- b) С този инструмент не се препоръчва извършването на операции като шлайфане, почистване с телена четка и полиране. Операциите, за които не е предназначен електроинструментът, биха могли да създадат опасност и да причинят телесни повреди.**
- c) Не използвайте аксесоари, които не са специално проектирани и препоръчани от производителя на инструмента. Това, че даден аксесоар може да бъде прикрепен към електроинструмента, не означава, че е гарантирана безопасна работа с него.**
- d) Номиналната скорост на аксесоара трябва да бъде най-малко равна на максималната скорост, отбелязана върху електроинструмента. Аксесоари, които се движат по-бързо от номиналната си скорост, може да се счупят и да отскочат.**
- e) Външният диаметър и дебелината на аксесоара трябва да бъдат в диапазона на производителността на електроинструмента. Аксесоари с неправилни размери не могат да бъдат правилно предпазени или контролирани.**
- f) Резбованото гнездо на аксесоара трябва да отговаря на резбата на шпиндела на шлифовъчното устройство. За аксесоари, които се монтират посредством фланец, отворът за оста на аксесоара трябва да съответства на диаметъра на фланеца. Аксесоари, които не съответстват на монтажните части на електроинструмента, няма да бъдат балансирани, ще вибрират много и може да доведат до загуба на контрол.**
- g) Не използвайте повредени аксесоари. Преди всяко използване проверявайте аксесоарите като например абразивен диск - за наличие на нащърбване и пукнатини. Ако изпуснете електроинструмента или аксесоара, проверете ги за повреда или инсталирайте неповреден аксесоар. След като проверите и инсталирате аксесоара, вие и**
- стоящите редом с вас лица трябва да застанете така, че да сте извън равнината на въртящия се аксесоар. Сега пуснете електроинструмента с максималната скорост на празен ход за една минута. По принцип, ако аксесоарът е повреден, той ще се счупи през това време на тестване.**
- h) Носете лично предпазно облекло. В зависимост от приложението, използвайте щит за лицето, защитни очила тип маска или защитни очила. При необходимост, носете противопрахова маска, антифони, ръкавици и работна престилка, която може да спре малките абразивни частици или късчета от заготовката. Защитата на очите трябва да може да спре летящите отпадъци, които се получават при различните операции. Противопраховата маска или респираторът трябва да могат да филтрират частиците, създадени при работата. Продължителното излагане на шум с голяма интензивност може да доведе до загуба на слуха.**
- i) Дръжте страничните лица на безопасно разстояние от работната зона. Всеки, който влиза в работната зона, трябва да е с лично защитно облекло. Фрагменти от обработвания детайл или от счупен аксесоар могат да излетят и да причинят травма и извън непосредствената зона на работа.**
- j) Дръжте електроинструмента само за изолираната повърхност за захващане, когато извършвате операция, при която режещият инструмент може да влезе в досег със скрито окабеляване или със собствения си кабел. Режещите аксесоари, влизащи в досег с проводник под напрежение, може да поставят откритите метални части на електроинструмента под напрежение и да причинят токов удар на оператора.**
- k) Дръжте захранващия кабел далеч от въртящия се аксесоар. Ако изгубите контрол, кабелът може да бъде отрязан или да се закачи, а дланта или ръката Ви може да бъде издърпана във въртящия се аксесоар.**
- l) Никога не оставяйте електроинструмента, докато аксесоарът не е спрял напълно. Въртящият се аксесоар може да се забие в повърхността и да изгубите контрол върху електроинструмента.**
- m) Не пускайте инструмента насочен срещу себе си. При неволен контакт, въртящият се аксесоар може да захале облеклото Ви и да се забие в тялото Ви.**
- n) Редовно почиствайте вентилационните отвори на електроинструмента. Вентилаторът на дивеателя вкарва прах в корпуса и прекаленото събиране на метален прах може да създаде риск от токов удар.**

- o) **Не работете с електроинструмента близо до запалими материали.** Искрите от него могат да ги запалят.
- p) **Не използвайте аксесоари, които изискват охлаждащи течности.** Използването на вода или други охлаждащи течности може да доведе до токов удар или сътресение.
- q) При работа ръката ви трябва да държи ръкохватката. Винаги използвайте допълнителните ръкохватки, доставени с инструмента. Загубата на контрол може да предизвика телесни повреди.

ДОПЪЛНИТЕЛНИ ИНСТРУКЦИИ ЗА БЕЗОПАСНОСТ ЗА ВСИЧКИ ОПЕРАЦИИ

ОБРАТЕН УДАР И ПРЕДУПРЕЖДЕНИЯ ЗА ИЗБЯГВАНЕТО МУ

Обратният удар е внезапна реакция при притискане или засядане на въртящия се диск, подложката за диска, четката или някой друг аксесоар. Притискането или засядането предизвикват внезапно спиране на въртящия се аксесоар, което от своя страна предизвиква неконтролирано движение на електроинструмента в точката на свързване в посока, обратна на въртенето на аксесоара.

Например ако абразивен диск бъде притиснат от заготовката или заседне, ръбът на диска, който влиза в точката на притискане, може да се вреже в повърхността на материала, като предизвика падане или отскачане на диска. Дискът може да отскочи по посока или настрани от оператора в зависимост от посоката на движение на диска в точката на притискане. При тези обстоятелства абразивните дискове могат също така да се счупят. Обратният удар е резултат от използване на електроинструмента не по предназначение и/или от неправилни работни процедури или условия и може да бъде предотвратен чрез вземане на споменатите по-долу предпазни мерки.

- a) **Хванете здраво електроинструмента и застанете така, че тялото и ръката ви да могат да противостоят на силите на обратния удар.** Винаги използвайте допълнителната ръкохватка, ако има такава, за максимален контрол на обратния удар или реактивния въртящ момент по време на пускането на инструмента. Операторът може да контролира реактивния въртящ момент и силите на обратния удар, ако вземе подходящите предпазни мерки.
- b) **Никога не поставяйте ръката си близо до въртящия се аксесоар.** Аксесоарът може да даде откат към ръката ви.
- c) **Не заставяйте в зоната, в която би се придвижил електроинструментът при**

евентуален обратен удар. Обратният удар ще придвижи инструмента в посока, обратна на движението на диска в точката на зацепване.

- d) **Внимавайте много, когато обработвате ъгли, остри ръбове и т.н. Избягвайте подскачане или засядане на аксесоара.** Ъглите, острите ръбове или подскачачето имат тенденцията да зацепват въртящия се аксесоар и да предизвикват загуба на контрол или обратен удар.
- e) **Не слагайте нож за верижен трион за рязане на дърво или нож за нарязване на трион.** Такива ножове често предизвикват обратен удар и загуба на контрол.

ДОПЪЛНИТЕЛНИ ИНСТРУКЦИИ ЗА БЕЗОПАСНОСТ ЗА ОПЕРАЦИИ ПО ШЛАЙФАНЕ И РЯЗАНЕ

ПРЕДУПРЕЖДЕНИЯ ЗА БЕЗОПАСНОСТ, СПЕЦИФИЧНИ ЗА ОПЕРАЦИИ ПО ШЛАЙФАНЕ И АБРАЗИВНО РЯЗАНЕ:

- a) **Използвайте само видовете дискове, препоръчани за вашия електроинструмент, и специалното защитно приспособление, приспособено за избрания диск.** Дискове, за които електроинструментът не е проектиран, не могат да бъдат адекватно обезопасени и са опасни.
- b) **Шлайфащата повърхност на дисковете с плосък център трябва да бъде монтирана под равнината на ръба на предпазното устройство.** Неправилно монтиран диск, който стърчи извън равнината на ръба на предпазното устройство, не може да бъде адекватно защитен.
- c) **Защитното приспособление трябва да бъде надеждно закрепено към електрическия инструмент за максимална безопасност, така че малка част от колелото да е изложена срещу оператора.** Защитното приспособление предпазва оператора от отхвъркнали части при счупване на диска, от неволен контакт с диска и от искри, които биха могли да подпалят облеклото му.
- d) **Дискът трябва да се използва само за препоръчаното приложение.** Например: не шлайфайте със страната на режещия диск. Абразивните режещи колела са предназначени за периферно шлайфане, прилагането на странични сили към тези дискове може да ги счупи.
- e) **Винаги използвайте неповредени фланци за диска, с точния размер**

и форма за избрания от вас диск.

Подходящите фланци на диска го поддържат като по този начин намаляват възможността от счупване на диска. Фланците за режещите дискове трябва да са различни от фланците за шлайфащите дискове.

- f) Не използвайте износени дискове от по-големи електрически инструменти.** Дисковете, предназначени за по-големи електроинструменти, не са подходящи за по-голямата скорост на малкия инструмент и може да се пукнат.

ДОПЪЛНИТЕЛНИ ИНСТРУКЦИИ ЗА БЕЗОПАСНОСТ ПРИ РЯЗАНЕ

ДОПЪЛНИТЕЛНИ ПРЕДУПРЕЖДЕНИЯ ЗА БЕЗОПАСНОСТ, СПЕЦИФИЧНИ ЗА ОПЕРАЦИИ ПО АБРАЗивно РЯЗАНЕ:

- a) Не притискайте режещия диск и не прилагайте прекален натиск. Не се опитвайте да режете прекалено дълбоко.** Претоварването на колелото увеличава натоварването и податливостта му на усукване или на засядане в среза, а оттам и възможността за обратен удар или счупване на диска.
- b) Не заставяйте на една линия с въртящия се диск или зад него.** Когато дискът в точката на работа се отдалечава от тялото ви, възможният обратен удар може да тласне въртящия се диск и електроинструмента направо срещу вас.
- c) Когато дискът заседне или рязането бъде прекратено по някаква друга причина, изключете инструмента и го дръжте, без да го движите, докато дискът не спре напълно. Никога не се опитвайте да махнете режещия диск от среза, докато дискът още се върти, защото може да се получи обратен удар.** Проверете и предприемете корективни мерки за премахване на причината за засядане на диска.
- d) Не рестартирайте рязането, докато дискът е в заготовката. Оставете дискът да достигне максималната си скорост и внимателно отново вкарайте диска в разреза.** Дискът може да заседне, да отскочи нагоре или да се получи обратен удар, ако електроинструментът се рестартира в заготовката.
- e) Осигурете поддръжка за панелите и извънгабаритните заготовки, за да намалите риска от притискането на диска и обратен удар.** Големите заготовки могат да се огънат под собствената си тежест. Под детайла, близо до линията на рязане и до ръба на заготовката от двете страни на диска, трябва да се поставят подпори.

- f) Бъдете особено внимателни, когато изрязвате отвори в съществуващи стени или други зони с отсъствие на видимост.** Издаденият диск може да пререже тръби за газ или вода, електрически проводници или обекти, които могат да предизвикат обратен удар.

СИМВОЛИ



За да се намали риска от нараняване, потребителят трябва да прочете ръководството с инструкции



Предупреждение



Двойна изолация



Носете антифони



Ете защитни очила



Носете прахова маск



Излезлите от употреба електрически продукти не бива да бъдат изхвърляни заедно с битовите отпадъци. Моля, използвайте рециклиращи съоръжения там, където има такива. Информация за рециклирането можете да получите от местните власти или от съответния търговец на дребно.

РАБОТНИ ИНСТРУКЦИИ



ЗАБЕЛЕЖКА: Преди да използвате инструмента, прочетете внимателно инструкцията за употреба.

ПРЕДНАЗНАЧЕНИЕ

Машината е предназначена за рязане, грубо обработване на метални и камени материали без използване на вода. За рязане на метал трябва да се използва специален предпазител за рязане (аксесоар).

МОНТАЖ

1. МОНТИРАНЕ НА СПОМАГАТЕЛНАТА РЪКОХВАТКА (ВЖ. ФИГ. А)

Можете да използвате две позиции на работа за най-безопасно и най-удобно управление на ъглошлайфа. Дръжката се завинтва по посока на часовниковата стрелка в един от двата отвора отстраня на скоростната кутия.

ЗАБЕЛЕЖКА: Тази ръкохватка трябва да се използва по всяко време, за да се поддържа пълен контрол върху инструмента.

2. РЕГУЛИРАНЕ НА ПРЕДПАЗИТЕЛЯ (ВЖ. ФИГ. В1-В3)



ВНИМАНИЕ: Монтирайте предпазителя, когато работите с шлайфащи или режещи дискове.

- Предпазител за шлайфация диск

Нагласете проекцията на защитата със зъбите на кутията на предавката. Затегнете здраво защитната капачка за шлифование.

Ослабете затягащия винт при нужда.

Поставете защитната капачка на коелото с кодираната проекция в кодираната жлебчеста част на ядрото на машината и я завъртете на необходимата позиция (работна позиция). Затегнете затягащия винт.

ЗАБЕЛЕЖКА: Затворената част на предпазителя трябва винаги да сочи към оператора.

3. ПОСТАВЯНЕ НА ДИСКОВЕТЕ (НЕ СА В КОМПЛЕКТА) (ВЖ. ФИГ. С1-С4)

Завинтете вътрешния фланец.

Обърнете внимание на размерите на шлифовалния диск. Диаметърът на монтажната дупка трябва да съвпада с вътрешния фланец, без да има зазор.

Не използвайте редуктори или адаптери.

Когато използвате алмазен диск за рязане, обърнете внимание, че посоката на стрелката за въртене на диска за рязане на алмазите и посоката на въртене на машината (посока на стрелката за въртене на ядрото на машината) съвпадат.

Поставете диска на вретеното на инструмента и вътрешния фланец. Уверете се, че е правилно поставен. Поставете винтовият външен фланец, като се уверите, че е обърнат в правилната посока за типа диск, който сте поставили.

Завинтете външния фланец.

4. БУТОН ЗА ЗАКЛЮЧВАНЕ НА ШПИНДЕЛА (ВЖ. ФИГ. D)

Може да се използва само при смяна на диска. Никога не го натискайте, докато дискът се върти.

РАБОТА

1. БУТОН ВКЛ./ИЗКЛ. (ВЖ. ФИГ. E)

За да стартирате електроинструмента, първо натиснете задната част на бутона за вкл./изкл., след това натиснете бутона за вкл./изкл. напред.

За да заключите бутона за вкл./изкл. натиснете бутона за вкл./изкл. надолу в предната част, докато се зацели.

За да изключите електроинструмента, освободете бутона вкл./изкл. или, ако е заключен, натиснете за кратко надолу задната част на бутона вкл./изкл. и след това я освободете.

2. ЗОНА НА РЪКОХВАТКАТА (ВЖ. ФИГ. F)

Винаги дръжте ъглошлайфа здраво с двете си ръце, когато работите с него.

3. ИЗПОЛЗВАНЕ НА ШЛАЙФАЦИЯ ДИСК (ВЖ. ФИГ. G)



ВНИМАНИЕ: Не включвайте ъглошлайфа, докато дискът е в

контакт със заготовката. Оставете диска да достигне пълна скорост преди да започнете да шлайфате.

Дръжте ъглошлайфа с едната ръка върху основната ръкохватка и с другата - върху спомагателната ръкохватка.

Винаги поставяйте предпазителя, така че възможно най-голяма част от издадения диск да сочи настрана от вас.

Имайте готовност за поток от искри, когато дискът докосне метала.

За най-добро управление на инструмента, отнемане на материал и минимално претоварване, поддържайте ъгъла между диска и работната повърхност около 15°- 30°, когато шлайфате.

Бъдете внимателни, когато работите в ъгли, тъй като досегът с пресичащите се повърхности може да причини отскачане или завъртане на ъглошлайфа.

Когато приключите с шлайфането, оставете заготовката да изстине. Не докосвайте горещата повърхност.

4. РЯЗАНЕ (ВЖ. ФИГ. H)



ПРЕДУПРЕЖДЕНИЕ! Когато режете метал, винаги поставяйте предпазителя на диска за рязане (не са в комплекта).

Когато режете, не натискайте, не накланяйте и не залюлявайте машината. Работете с умерена скорост на подаване, съобразена с материала, който режете.

Не намалявайте скоростта на работещ диск чрез прилагане на страничен натиск.

От значение е посоката, в която се извършва рязането.

Машината винаги трябва да работи с ход нагоре. Затова никога не местете машината в друга посока! В противен случай съществува опасност тя да бъде изместена неконтролируемо от разреза.

5. КАРБОНОВИ ЧЕТКИ С АВТОМАТИЧНО СПИРАНЕ (ВЖ. ФИГ. I)

Изключете щепсела от контакта преди да работите по машината.

Когато гуменият накрайник на карбоновата четка е изложен на контакт с комутатора, той автоматично ще изключи двигателя. Когато това се случи, двете карбонови четки трябва да бъдат заменени. Карбоновите четки трябва да бъдат чисти и свободно да се плъзгат в държачите. И двете карбонови четки трябва да се сменят едновременно. Използвайте само еднакви карбонови четки.

6. ПРЕТОВАРВАНЕ

Претоварването ще доведе до повреда на двигателя на ъглошлайфа. Това може да се случи, ако ъглошлайфът е подложен на интензивна употреба за продължителни периоди от време. Никога не се опитвайте да упражнявате прекалено голям натиск върху ъглошлайфа, за да ускорите работата си. Абразивните дискове работят по-ефективно, когато се упражнява лек натиск, като

по този начин се избягва намаляване на скоростта на ъглошлайфа. Ако ъглошлайфът ви стане прекалено горещ, работете с него без натоварване в продължение на 2-3 минути, докато се охлади до нормална работна температура.

7. ЗАЩИТА ОТ ИЗКЛЮЧВАНЕ НА ЕЛЕКТРОЗАХРАНВАНЕТО

Когато захранването внезапно се изключи, машината ще спре. Когато захранването бъде включено след прекъсване на електрозахранването, машината няма да се стартира сама, трябва да освободите ключа и да рестартирате машината.

СЪВЕТИ ПРИ РАБОТА С ЪГЛОШЛАЙФ

1. Винаги стартирайте на празен ход, за да постигнете максимална скорост, след което започнете работа.
2. Не форсирайте диска, за да работи по-бързо; намаляването на скоростта на движение на диска означава по-дълго време на работа.
3. Когато шлайфате, винаги работете с ъгъл 15-30° между диска и заготовката. По-големите ъгли ще направят ръбове в заготовката и ще засегнат повърхностното покритие. Движете ъглошлайфа настрани и напред и назад по заготовката.
4. Когато използвате режещ диск, никога не променяйте ъгъла на рязане, в противен случай дискът ще се заклепти и двигателят на ъглошлайфа ще спре или ще счулите диска. Когато режете, правете го единствено в противоположната на въртенето на диска посока. Ако режете в същата посока като въртенето на диска, дискът може да излезе от слота на среза.
5. Когато режете много твърди материали, можете да постигнете най-добър резултат с диамантен диск.
6. Когато използвате диамантен диск, той ще стане много горещ. Ако това стане, ще видите кръг от искри около въртящия се диск. Спрете рязането и оставете двигателя да се охлади на празен ход за 2-3 минути.
7. Винаги проверявайте дали заготовката е здраво закрепена или захваната, за да предотвратите разместване.

ПОДДРЪЖКА

Преди да пристъпите към каквото и да било регулиране, обслужване или поддръжка, първо издърпайте захранващия щепсел от електрическия контакт.

Вашият електроинструмент не се нуждае от допълнително смазване или поддръжка. В него няма никакви детайли, които да се обслужват от потребителя. Никога не използвайте вода

или химически препарати за почистване на електроинструмента. Почиствайте го със суха кърпа. Винаги съхранявайте вашия електроинструмент на сухо място. Поддържайте вентилационните отвори на двигателя чисти. Поддържайте всички бутони за управление чисти от прах. От време на време може да виждате искри през вентилационните отвори. Това е нормално и няма да повреди вашия електроинструмент. Ако захранващият кабел бъде повреден, той трябва да бъде подменен от производителя, от обслужващия го представител или от друго компетентно лице с цел избягване на опасности.

ОПАЗВАНЕ НА ОКОЛНАТА СРЕДА



Излезлите от употреба електрически продукти не бива да бъдат изхвърляни заедно с битовите отпадъци. Моля, използвайте рециклиращи съоръжения там, където има такива. Информация за рециклирането можете да получите от местните власти или от съответния търговец на дребно.

ОТСТРАНЯВАНЕ НА ПРОБЛЕМИ

Въпреки че работата с ъглошлайфа е много лесна, ако срещнете затруднения, проверете следното:

1. Ако ъглошлайфът не работи, проверете захранването в контакта.
2. Ако дискът на ъглошлайфа трепти или вибрира, проверете дали външният фланец е затегнат и дали дискът е разположен правилно върху плочата на фланеца.
3. Ако дискът е видимо повреден, не го използвайте, тъй като повреденият диск може да се разпадне; свалете го и го сменете с нов. Изхвърляйте старите дискове по подходящия начин.
4. Ако работите с алуминий или друга мека сплав, дискът бързо ще се запуши и няма да шлайфа ефективно.
5. Ако проблемът не може да бъде отстранен, занесете инструмента при оторизиран представител или неговия сервизен агент за ремонт.

ДЕКЛАРАЦИЯ ЗА СЪОТВЕТСТВИЕ

Ние,
POSITEC Germany GmbH
Postfach 32 02 16, 50796 Cologne, Germany

Декларираме, че продуктът
Описание **Ъглошлайф**
Модел обозначение **WS4750.1 (47-
обозначение на машини, представляващи
ъглошлайф)**
Функция **периферно и странично
шлайфане**

Отговаря на следните Директиви:
**2006/42/ЕС, 2011/65/EU & (EU)2015/863,
2014/30/EU**

както и на стандартите:
**EN 55014-1, EN 55014-2, EN IEC 61000-3-2,
EN 61000-3-3, EN 60745-1, EN 60745-2-3**

Лице, оторизирано да изготвя техническото досие,
Име Marcel Filz
Адрес POSITEC Germany GmbH
Postfach 32 02 16, 50796 Cologne, Germany



2023/05/05
Allen Ding
Заместник-главен инженер, отговарящ
за тестването и сертифицирането
Positec Technology (China) Co., Ltd
18, Dongwang Road, Suzhou Industrial
Park, Jiangsu 215123, P. R. China

WESCO