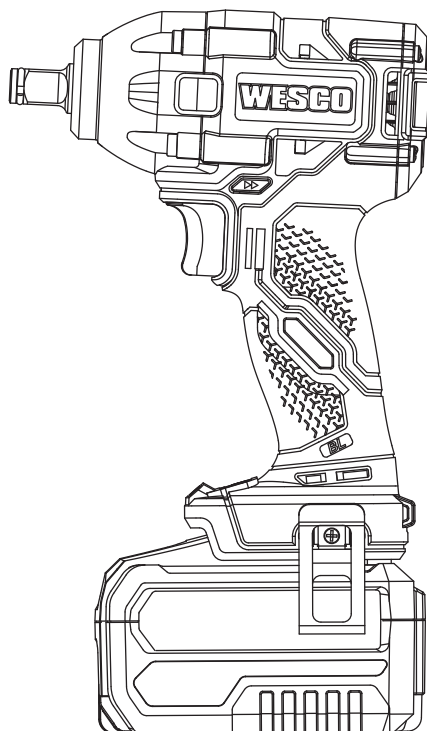


WESCO

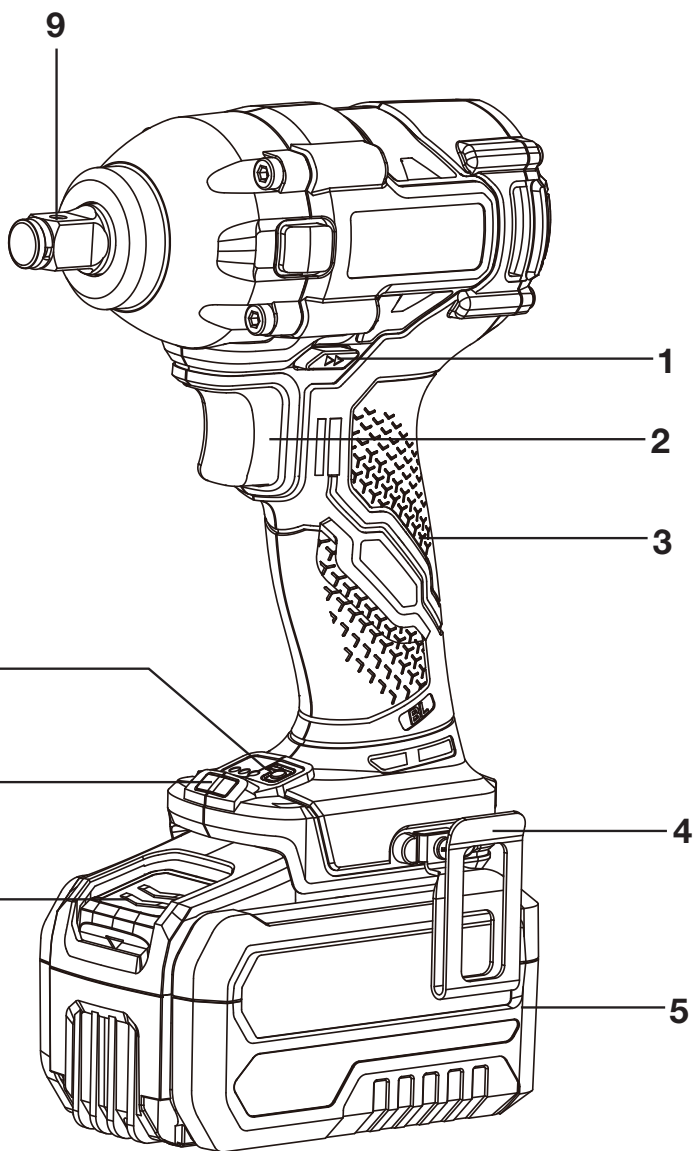


WS2407 WS2407.9 (CIW18BW2)

2 YEAR
Warranty

• Cordless impact wrench	EN	P06
• Akku-Schlagschrauber	DE	P13
• Visseuse sans fil	FR	P20
• Chiave a percussione con alimentazione a baatteria	IT	P27
• Llave de impacto sin cables	ES	P34
• Акумулаторен ударен гайковерт	BG	P50

Original instructions	EN
Originalbetriebsanleitung	DE
Notice originale	FR
Istruzioni originali	IT
Manual original	ES
Оригинални инструкции	BG



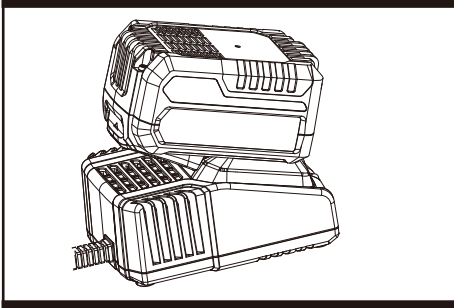


Fig.A1

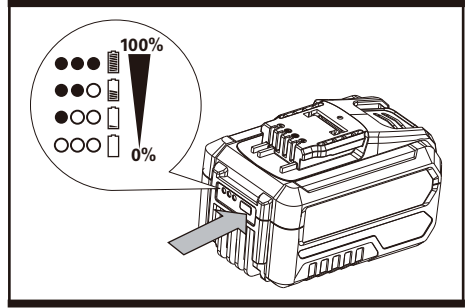


Fig.A2

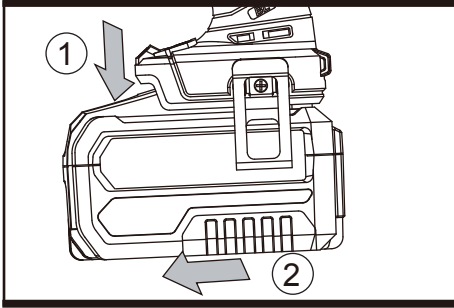


Fig.A3

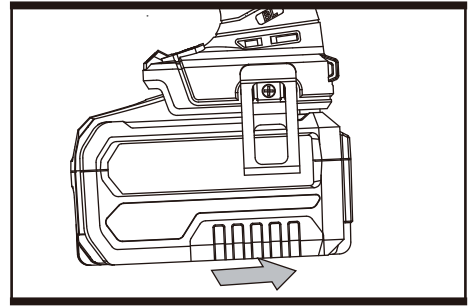


Fig.A4

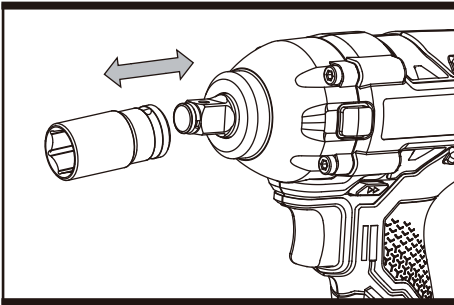


Fig.B

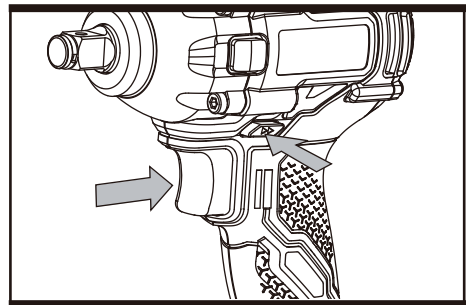


Fig.C

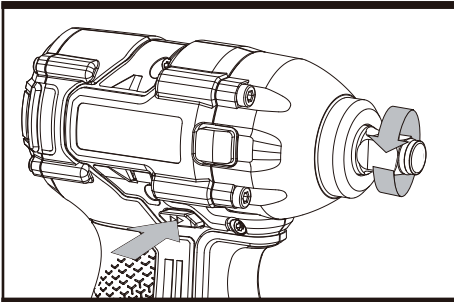


Fig.D1

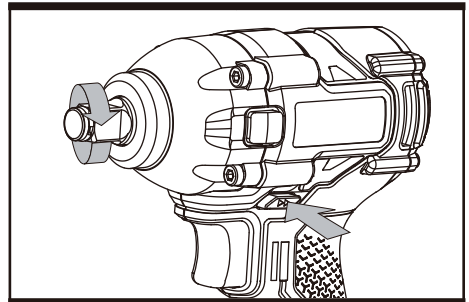


Fig.D2

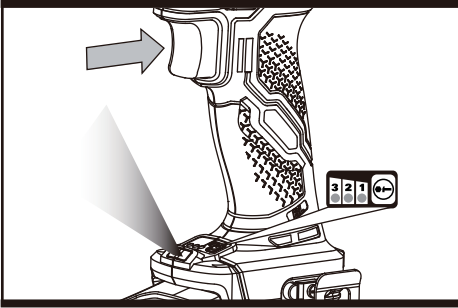


Fig.E

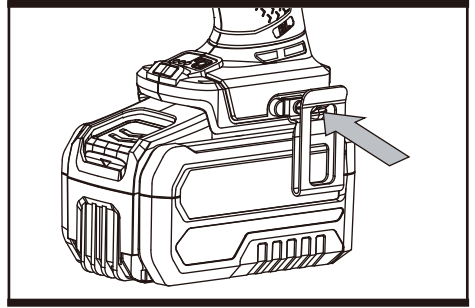


Fig.F1

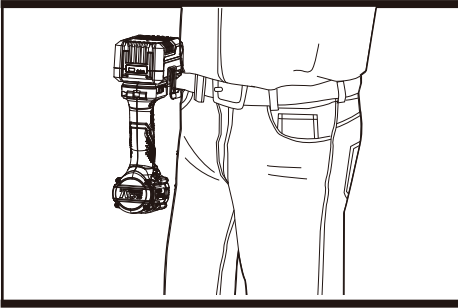


Fig.F2




COMPONENT LIST

1. Forward/ reverse rotation control
2. On/off switch
3. Soft grip handle
4. Belt clip
5. Battery pack*
6. Battery pack release button*
7. LED light
8. Variable 3-speed control button
9. Tool holder

* Not all the accessories illustrated or described are included in standard delivery.

TECHNICAL DATA

Type WS2407 WS2407.9 (24-designation of machinery, representative of cordless impact wrench)

	WS2407	WS2407.9
Rated voltage	18V 	
Rated no-load speed	0-900/2400/3000 /min	
Max torque	350 N.m	
Impact rate	0-1200/3300/4000 bpm	
Chuck size	1/2"	
Machine weight	1.693 kg	1.043 kg
Charger output (WS9969)	20 V  2.0 A	/
Charger input (WS9969)	100-240 V~50/60 Hz, 55W	/
Charger protection class	 /II	/
Battery capacity (WS9940)	4.0Ah	/
Charging time	2hrs	/

NOISE INFORMATION

A weighted sound pressure

A weighted sound power

K_{PA} & K_{WA}

Wear ear protection.

$L_{PA} = 83,6$ dB(A)

$L_{WA} = 94,6$ dB(A)

3 dB(A)

VIBRATION INFORMATION

Vibration total values (triax vector sum) determined according to EN 62841:

Vibration emission value $a_{h,d} = 7,446 \text{ m/s}^2$

Uncertainty $K = 1.5 \text{ m/s}^2$

The declared vibration total value and the declared noise emission value have been measured in accordance with a standard test method and may be used for comparing one tool with another.

The declared vibration total value and the declared noise emission value may also be used in a preliminary assessment of exposure.



WARNING: The vibration and noise emissions during actual use of the power tool can differ from the declared value depending on the ways in which the tool is used especially what kind of workpiece is processed dependant on the following examples and other variations on how the tool is used:

How the tool is used and the materials being cut or drilled.

The tool being in good condition and well maintained.

The use of the correct accessory for the tool and ensuring it is sharp and in good condition.

The tightness of the grip on the handles and if any anti vibration and noise accessories are used.

And the tool is being used as intended by its design and these instructions.

This tool may cause hand-arm vibration syndrome if its use is not adequately managed.



WARNING: To be accurate, an estimation of exposure level in the actual conditions of use should also take account of all parts of the operating cycle such as the times when the tool is switched off and when it is running idle but not actually doing the job. This may significantly reduce the exposure level over the total working period.

Helping to minimise your vibration and noise exposure risk.

Always use sharp chisels, drills and blades.

Maintain this tool in accordance with these instructions and keep well lubricated (where appropriate).

If the tool is to be used regularly then invest in anti vibration and noise accessories.

Plan your work schedule to spread any high vibration tool use across a number of days.

ACCESSORIES

	WS2407	WS2407.9
Charger (WS9969)	1	/
Battery pack (WS9940)	1	/
Socket (17/19/21)	3	3
Belt clip	1	1

We recommend that you purchase your accessories from the same store that sold you the tool. Refer to the accessory packaging for further details. Store personnel can assist you and offer advice.

PRODUCT SAFETY

GENERAL POWER TOOL SAFETY WARNINGS



WARNING: Read all safety warnings, instructions, illustrations and specifications provided with this power tool. Failure to follow all instructions listed below may result in electric shock, fire and/or serious injury.

Save all warnings and instructions for future reference.

The term "power tool" in the warnings refers to your mains-operated (corded) power tool or battery-operated (cordless) power tool.

1) WORK AREA SAFETY

- a) **Keep work area clean and well lit.** Cluttered or dark areas invite accidents.
- b) **Do not operate power tools in explosive atmospheres,** such as in the presence of flammable liquids, gases or dust. Power tools create sparks which may ignite the dust or fumes.
- c) **Keep children and bystanders away while operating a power tool.** Distractions can cause you to lose control.

2) ELECTRICAL SAFETY

- a) **Power tool plugs must match the outlet. Never modify the plug in any way.** Do not use any adapter plugs with earthed (grounded) power tools. Unmodified plugs and matching outlets will reduce risk of electric shock.
- b) **Avoid body contact with earthed or grounded surfaces,** such as pipes, radiators, ranges and refrigerators. There is an increased risk of electric shock if your body is earthed or grounded.
- c) **Do not expose power tools to rain or wet conditions.** Water entering a power tool will increase the risk of electric shock.
- d) **Do not abuse the cord. Never use the cord for carrying, pulling or unplugging the power tool.** Keep cord away from heat, oil, sharp edges or moving parts. Damaged or entangled cords increase the risk of electric shock.
- e) **When operating a power tool outdoors, use an extension cord suitable for outdoor use.** Use of a cord suitable for outdoor use reduces the risk of electric shock.
- f) **If operating a power tool in a damp location is unavoidable, use a residual current device (RCD) protected supply.** Use of an RCD reduces the risk of electric shock.

3) PERSONAL SAFETY

- a) **Stay alert, watch what you are doing and use common sense when operating a power tool.** Do not use a power tool while you are tired or under the influence of drugs, alcohol or medication. A moment of inattention while operating power tools may result in serious personal injury.
- b) **Use personal protective equipment. Always wear eye protection.** Protective equipment such as dust mask, non-skid safety shoes, hard hat, or hearing protection used for appropriate conditions will reduce personal injuries.
- c) **Prevent unintentional starting. Ensure the switch is in the off-position before connecting to power source and/or battery pack, picking up or carrying the tool.** Carrying power tools with your finger on the switch or energising power tools that have the switch on invites accidents.
- d) **Remove any adjusting key or wrench before turning the power tool on.** A wrench or a key left attached to a rotating

part of the power tool may result in personal injury.

- e) **Do not overreach. Keep proper footing and balance at all times.** This enables better control of the power tool in unexpected situations.
 - f) **Dress properly. Do not wear loose clothing or jewellery. Keep your hair and clothing away from moving parts.** Loose clothes, jewellery or long hair can be caught in moving parts.
 - g) **If devices are provided for the connection of dust extraction and collection facilities, ensure these are connected and properly used.** Use of dust collection can reduce dust-related hazards.
 - h) **Do not let familiarity gained from frequent use of tools allow you to become complacent and ignore tool safety principles.** A careless action can cause severe injury within a fraction of a second.
- ### 4) POWER TOOL USE AND CARE
- a) **Do not force the power tool. Use the correct power tool for your application.** The correct power tool will do the job better and safer at the rate for which it was designed.
 - b) **Do not use the power tool if the switch does not turn it on and off.** Any power tool that cannot be controlled with the switch is dangerous and must be repaired.
 - c) **Disconnect the plug from the power source and/or remove the battery pack, if detachable, from the power tool before making any adjustments, changing accessories, or storing power tools.** Such preventive safety measures reduce the risk of starting the power tool accidentally.
 - d) **Store idle power tools out of the reach of children and do not allow persons unfamiliar with the power tool or these instructions to operate the power tool.** Power tools are dangerous in the hands of untrained users.
 - e) **Maintain power tools and accessories. Check for misalignment or binding of moving parts, breakage of parts and any other condition that may affect the power tool's operation.** If damaged, have the power tool repaired before use. Many accidents are caused by poorly maintained power tools.
 - f) **Keep cutting tools sharp and clean.** Properly maintained cutting tools with sharp cutting edges are less likely to bind and are easier to control.
 - g) **Use the power tool, accessories and tool bits etc. in accordance with these instructions, taking into account the working conditions and the work to be performed.** Use of the power tool for operations different from those intended could result in a hazardous situation.
 - h) **Keep handles and grasping surfaces dry, clean and free from oil and grease.** Slippery handles and grasping surfaces do not allow for safe handling and control of the tool in unexpected situations.
- ### 5) BATTERY TOOL USE AND CARE
- a) **Recharge only with the charger specified by the manufacturer.** A charger that is suitable for one type of battery pack may create a risk of fire when used with another battery pack.
 - b) **Use power tools only with specifically designated battery packs.** Use of any other battery packs may create a risk of injury and fire.
 - c) **When battery pack is not in use, keep it away from other metal objects, like paper clips, coins, keys, nails, screws or other small metal objects, that can make a connection**

- from one terminal to another. *Shorting the battery terminals together may cause burns or a fire.*
- d) **Under abusive conditions, liquid may be ejected from the battery; avoid contact. If contact accidentally occurs, flush with water. If liquid contacts eyes, additionally seek medical help. Liquid ejected from the battery may cause irritation or burns.**
 - e) **Do not use a battery pack or tool that is damaged or modified. Damaged or modified batteries may exhibit unpredictable behaviour resulting in fire, explosion or risk of injury.**
 - f) **Do not expose a battery pack or tool to fire or excessive temperature. Exposure to fire or temperature above 130 °C may cause explosion.**
 - g) **Follow all charging instructions and do not charge the battery pack or tool outside the temperature range specified in the instructions. Charging improperly or at temperatures outside the specified range may damage the battery and increase the risk of fire.**
- 6) **SERVICE**
- a) **Have your power tool serviced by a qualified repair person using only identical replacement parts. This will ensure that the safety of the power tool is maintained.**
 - b) **Never service damaged battery packs. Service of battery packs should only be performed by the manufacturer or authorized service providers.**

- k) **Recharge only with the charger specified by WESCO. Do not use any charger other than that specifically provided for use with the equipment.**
- l) **Do not use any battery pack which is not designed for use with the equipment.**
- m) **Keep battery pack out of the reach of children.**
- n) **Retain the original product literature for future reference.**
- o) **Remove the battery from the equipment when not in use.**
- p) **Dispose of properly.**
- q) **Do not mix cells of different manufacture, capacity, size or type within a device.**
- r) **Keep the battery away from microwaves and high pressure.**
- s) **Warning! Do not use non-rechargeable batteries.**

IMPACT WRENCH SAFETY WARNING

1. **Hold the power tool by insulated gripping surfaces, when performing an operation where the fastener may contact hidden wiring. Fasteners contacting a "live" wire may make exposed metal parts of the power tool "live" and could give the operator an electric shock.**

SAFETY WARNINGS FOR BATTERY PACK

- a) **Do not dismantle, open or shred cells or battery pack.**
- b) **Do not short-circuit a battery pack. Do not store battery packs haphazardly in a box or drawer where they may short-circuit each other or be short-circuited by conductive materials. When battery pack is not in use, keep it away from other metal objects, like paper clips, coins, keys, nails, screws or other small metal objects, that can make a connection from one terminal to another. Shorting the battery terminals together may cause burns or a fire.**
- c) **Do not expose battery pack to heat or fire. Avoid storage in direct sunlight.**
- d) **Do not subject battery pack to mechanical shock.**
- e) **In the event of battery leaking, do not allow the liquid to come into contact with the skin or eyes. If contact has been made, wash the affected area with copious amounts of water and seek medical advice.**
- f) **Keep battery pack clean and dry.**
- g) **Wipe the battery pack terminals with a clean dry cloth if they become dirty.**
- h) **Battery pack needs to be charged before use. Always refer to this instruction and use the correct charging procedure.**
- i) **Do not maintain battery pack on charge when not in use.**
- j) **After extended periods of storage, it may be necessary to**

GENERAL SAFETY WARNINGS FOR CHARGER

WARNING: Read all safety warnings and all instructions. Failure to follow the warnings and instructions may result in electric shock, fire and/or serious injury.

Save all warnings and instructions for future reference.

This appliance can be used by children aged from 8 years and above and persons with reduced physical, sensory or mental capabilities or lack of experience and knowledge if they have been given supervision or instruction concerning use of the appliance in a safe way and understand the hazards involved. Children shall not play with the appliance. Cleaning and user maintenance shall not be made by children without supervision.

If the supply cord is damaged, it must be replaced by the manufacturer, its service agent or similarly qualified persons in order to avoid a hazard.

ADDITIONAL SAFETY INSTRUCTIONS FOR YOUR BATTERY CHARGER

1. Before charging, read the instructions.
2. Do not charge a leaking battery.
3. Do not use chargers for works other than those for which they are designed.
4. Before charging, ensure your charger is matching the local AC supply.
5. For indoor use, or do not expose to rain.
6. The charging device must be protected from moisture.
7. Do not use the charging device in the open.
8. Do not short out the contacts of battery or charger.
9. Respect the polarity "+/-" when charging.
10. Do not open the unit and keep out of the reach of children.
11. Do not charge the batteries of other manufactures or ill-suited models.
12. Ensure that the connection between the battery charger and battery is correctly positioned.
13. Keep battery charger's slots are free of foreign objects and protect against dirt and humidity. Store in a dry and frost-free place.
14. When charging batteries, ensure that the battery charger is in a well-ventilated area and away from inflammable materials. Batteries can get hot during charging. Do not overcharge any batteries. Ensure that batteries and chargers are not left unsupervised during charging.
15. Do not recharge non-rechargeable batteries, as they can overheat and break.
16. Longer life and better performance can be obtained if the battery pack is charged when the air temperature is between 18°C and 24°C. Do not charge the battery pack in air temperatures below 0°C, or above 40°C. This is important as it can prevent serious damage to the battery pack.
17. Charge only battery pack of the same model provided by WESCO and of models recommended by WESCO.

SYMBOLS



To reduce the risk of injury, user must read instruction manual



Warning



Wear ear protection



Wear eye protection



Wear dust mask



Indoor use only (Charger)



Read the operator's manual.



Batteries may enter water cycle if disposed improperly, which can be hazardous for ecosystem. Do not dispose of waste batteries as unsorted municipal waste.



Do not burn



Positive terminal



Negative terminal



Li-Ion battery This product has been marked with a symbol relating to 'separate collection' for all battery packs and battery pack. It will then be recycled or dismantled in order to reduce the impact on the environment. Battery packs can be hazardous for the environment and for human health since they contain hazardous substances.



Waste electrical products must not be disposed of with household waste. Please recycle where facilities exist. Check with your local authorities or retailer for recycling advice.



Double insulation(Charger)



T 2A
Fuse

OPERATING INSTRUCTIONS



NOTE: Before using the tool, read the instruction book carefully.

INTENDED USE

This tool is intended for the fastening and loosening of bolts, nuts and various threaded fasteners. This tool is not intended for use as a drill.

BEFORE OPERATION

1. CHARGING THE BATTERY PACK

- Do not use any charger other than that specifically provided for use with the equipment.
- If the battery pack is very hot you must remove your battery pack from the charger and allow time for the battery to cool down before recharging.
- The battery in your new tool is not charged when it leaves the plant. Therefore it must be full charged before using the first time.
- Please charge the battery to reach full or no less than half charge before storage. If the tool will not be used for long periods of time, charge the battery every 3-6 months.

REMOVING OR INSTALLING BATTERY PACK ON THE CHARGER (SEE FIG. A1)



Slide the battery pack into charger's battery port. A simple push and light pressure will be sufficient. Depress the battery pack release button firmly first and then slide the battery pack out from the charger.

CHARGING PROCEDURE

- Plug the charger into an appropriate outlet. The light will be green.
- Slide the battery pack into the charger, the light will turn to red to indicate the charging process has started.
- When charging is completed, the light will turn to green. The pack is now fully charged, unplug the charger and remove the battery pack.

CHARGING INDICATOR

This charger is designed to detect some problems that can arise with battery packs. Indicator lights indicate problems (see table below). If this occurs, insert a new battery pack to determine if the charger is OK. If the new battery charges correctly, then the original pack is defective and should be returned to a service center or recycling service center. If the new battery pack displays the same problem as the original Battery Pack, have the charger tested at an authorized service center.

Light	Status
Red on 	Charging
Green on 	Fully Charged

WARNING: When battery charge runs out after continuously use or exposure to direct sunlight or heat, allow time for the tool to cool down before re-charging to achieve the full charge.

CHECKING THE POWER CONDITION OF BATTERY PACK (SEE FIG. A2)

The battery level can be known from the battery indicator light by pressing the button beside the lights.

2. REMOVING OR INSERTING BATTERY PACK ON THE TOOL (SEE FIG. A3, A4)

Press the battery pack release button and remove the battery pack from the tool. After recharge slide the battery pack into tool's battery port. A simple push and slight pressure will be sufficient.

OPERATION

1. INSTALLING OR REMOVING SOCKET ON THE TOOL HOLDER (NOT SUPPLIED) (SEE FIG. B)

To install the socket, insert the socket onto the tool holder. To remove the socket, pull the socket out of the tool holder.

WARNING: Inspect tool holders and socket carefully before using the tool. Missing or damaged items should be replaced. Make sure the switch is locked off or remove the battery pack before changing accessories.

2. ON / OFF SWITCH (SEE FIG. C)

Depress the on/off switch to start and release it to stop your tool. The on/off switch is fitted with a brake function which stops your chuck immediately when you quickly release the switch.

It is also a variable speed switch that delivers higher speed and torque with increased trigger pressure. Speed is controlled by the amount of switch trigger depression.

WARNING: Inspect tool holders and socket carefully before using the tool. Missing or damaged items should be replaced. Make sure the switch is locked off or remove the battery pack before changing accessories.

3. SWITCH LOCK

The on/off switch can be locked in the OFF position. This helps to reduce the possibility of accidental starting when not in use. To lock the on/off switch, place the direction of rotation selector in the center position.

4. REVERSIBLE (SEE FIG. D1, D2)

For forward rotation, (with chuck pointed away from you) move the rotation control to the left.

For reverse rotation, (with chuck pointed away from you) move the rotation control to the right.

WARNING: Never change the direction of rotation when the chuck is rotating, wait until it has stopped!

5. USING THE LED LIGHT (SEE FIG. E)

To turn on the light simply press the on/off switch. When you release the on/off switch, the light will be off. LED lighting increases visibility in dark or enclosed areas.

6. VARIABLE 3-SPEED (SEE FIG. E)

Press the red button to select preferred rotation speed, levels 1 to 3, with 3 being the fastest. The operating speed will be illuminated.

7. USING BELT CLIP (SEE FIG. F1, F2)

Screw the belt clip on the tool with the screw provided in the plastic bag. The belt clip can be clipped on your belt or pocket, etc.

8. OVERLOAD PROTECTION

When overloaded, the motor comes to a stop. Relieve the load on the machine immediately and allow cooling for approx. 30 seconds at the highest no-load speed.

9. TEMPERATURE DEPENDENT OVERLOAD PROTECTION

When using as intended for the power tool cannot be subject to overload. When the load is too high or the allowable battery temperature of 75°C is exceeded, the electronic control switches off the power tool until the temperature is in the optimum temperature range again.

10. PROTECTION AGAINST DEEP DISCHARGING

The Li-ion battery is protected against deep discharging by the "Discharging Protection System". When the battery is empty, the machine is switched off by means of a protective circuit: The inserted tool no longer rotates.

PROBLEM SOLUTION

1. REASONS FOR DIFFERENT BATTERY PACK WORKING TIMES

Charging time problems and having not used a battery pack for a prolonged time will reduce the battery pack working time. This can be corrected after several charge and discharge operations by charging & working with your driver. Heavy working conditions such as large screws into hard wood will use up the battery pack energy faster than lighter working conditions. Do not re-charge your battery pack below 0°C and above 45°C as this will affect performance.

2. WHY DOES THE TOOL NOT TURN ON WHEN YOU PRESS THE SWITCH?

The forward/reverse rotation control, which is on top of the trigger, is positioned in the lock function. Unlock the forward/reverse rotation control by putting it into the required rotation position. Push the trigger and the tool will start to rotate.

MAINTENANCE

Remove the battery pack from the tool before carrying out any adjustment, servicing or maintenance.

Your tool requires no additional lubrication or maintenance.

There are no user serviceable parts in your power tool. Never use water or chemical cleaners to clean your power tool. Wipe clean with a dry cloth. Always store your power tool in a dry place. Keep the motor ventilation slots clean. Keep all working controls free of dust. Occasionally you may see sparks through the ventilation slots. This is normal and will not damage your power tool.

For Battery tools

The ambient temperature range for the use and storage of tool and battery is 0°C-45°C.

The recommended ambient temperature range for the charging system during charging is 0°C-40°C.

ENVIRONMENTAL PROTECTION



Waste electrical products must not be disposed of with household waste. Please recycle where facilities exist.

Check with your local authorities or retailer for recycling advice.

PLUG REPLACEMENT (ONLY FOR REWIRABLE PLUG OF UK & IRELAND)

If you need to replace the fitted plug then follow the instructions below.

IMPORTANT

The wires in the mains lead are colored in accordance with the following code:

Blue = Neutral

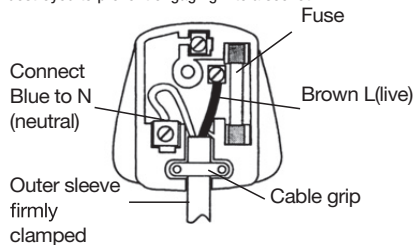
Brown = Live

As the colors of the wires in the mains lead of this appliance may not correspond with the colored markings identifying the terminals in your plug, proceed as follows. The wire which is colored blue must be connected to the terminal which is marked with N. The wire which is colored brown must be connected to the terminal which is marked with L.

WARNING!

Never connect live or neutral wires to the earth terminal of the plug. Only fit an approved BS1363/A plug and the correct rated current fuse which is used in the plug.

Note: If a moulded plug is fitted and has to be removed take great care in disposing of the plug and severed cable, it must be destroyed to prevent engaging into a socket.



DECLARATION OF CONFORMITY

We,
POSITEC Germany GmbH
Postfach 32 02 16, 50796 Cologne, Germany

Declare that the product
Description **Battery-powered wrench**
Type **WS2407 WS2407.9 (24-designation of machinery, representative of cordless impact wrench)**
Function **Tightening and loosening screws, nuts**

Complies with the following Directives:

2006/42/EC
2011/65/EU & (EU)2015/863,
2014/30/EU
2014/35/EU
2006/66/EC & 2013/56/EU

Standards conform to
EN 55014-1, EN 55014-2, EN 62841-1, EN 62841-2-2
EN 60335-1, EN 60335-2-29, EN 62233,
EN IEC 61000-3-2, EN 61000-3-3, EN 62133-2

The person authorized to compile the technical file,
Name **Marcel Filz**
Address **POSITEC Germany GmbH**
Postfach 32 02 16, 50796 Cologne, Germany



2023/04/04
Allen Ding
Deputy Chief Engineer, Testing & Certification
Positec Technology (China) Co., Ltd
18, Dongwang Road, Suzhou Industrial
Park, Jiangsu 215123, P. R. China

DECLARATION OF CONFORMITY(UK)

We,
Positec Power Tools (Europe) Ltd,
PO Box 6242, Newbury, RG14 9LT, UK

On behalf of Positec declare that the product
Description **Battery-powered wrench**
Type designation **WS2407 WS2407.9 (24-designation of machinery, representative of cordless impact wrench)**
Function **Tightening and loosening screws, nuts**

Complies with the following regulations:

Electrical Equipment (Safety) Regulations 2016
Electromagnetic Compatibility Regulations 2016
The Restriction of the Use of Certain Hazardous Substances in Electrical and Electronic Equipment Regulations
The Batteries and Accumulators (Placing on the Market) Regulations 2008 (as amended) and the Waste Batteries and Accumulators Regulations 2009 (as amended)
The Restriction of the Use of Certain Hazardous Substances in Electrical and Electronic Equipment Regulations 2012

Standards conform to

BS EN 62841-1
BS EN 62841-2-2
BS EN 55014-1
BS EN 55014-2
BS EN 60335-1
BS EN 60335-2-29
BS EN 62233
BS EN IEC 61000-3-2
BS EN 61000-3-3
BS EN 62133-2

The person authorized to compile the technical file,
Name **Jim Kirkwood**
Address **Positec Power Tools (Europe) Ltd,**
PO Box 6242, Newbury, RG14 9LT, UK



2023/04/04
Allen Ding
Deputy Chief Engineer, Testing & Certification
Positec Technology (China) Co., Ltd
18, Dongwang Road, Suzhou Industrial
Park, Jiangsu 215123, P. R. China


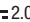

KOMPONENTEN

1. Steuerung der Vorwärts-/Rückwärtsdrehung
2. Ein-/Ausschalter
3. Softgrip-Griff
4. Gürtelclip
5. Akkupack*
6. Akku-Entriegelungstaste*
7. LED-Licht
8. Variable 3-Gang-Steuertaste
9. Werkzeughalter

* Abgebildetes oder beschriebenes Zubehör gehört teilweise nicht zum Lieferumfang.

TECHNISCHE DATEN

Typ WS2407 WS2407.9 (24-Maschinenbezeichnung, stellvertretend für Akku-Schlagschrauber)

	WS2407	WS2407.9
Nennspannung	18V 	
Nennleerlaufdrehzahl	0-900/2400/3000 /min	
maximaler Drehmoment	350 N.m	
Schlagzahl	0-1200/3300/4000 bpm	
Chuck-Größe	1/2"	
Maschinengewicht	1.693 kg	1.043 kg
Ladeausgang (WS9969)	20 V  2.0 A	/
Ladeeingang (WS9969)	100-240 V~50/60 Hz, 55W	/
Ladegerät Schutzklasse	 /II	/
Batteriekapazität (WS9940)	4.0Ah	/
Ladezeit	2hr	/

INFORMATIONEN ÜBER LÄRM

Gewichteter Schalldruck
Gewichtete Schalleistung
 K_{pa} & K_{wa}

Tragen Sie einen Gehörschutz.

$L_{pa} = 83.6 \text{ dB(A)}$
 $L_{wa} = 94.6 \text{ dB(A)}$
5 dB(A)

INFORMATIONEN ÜBER VIBRATIONEN

Vibrations Gesamt Messwertermittlung gemäß EN 62841:

Vibrationsemissionswert $a_{h,d} = 7,446 \text{ m/s}^2$

Unsicherheit $K = 1.5 \text{ m/s}^2$

Der angegebene Vibrationsgesamtwert kann und der angegebene Vibrationsemissionswert wurden gemäß Standardprüfverfahren gemessen und können zum Vergleichen eines Werkzeug mit einem anderen verwendet werden.

Der angegebene Vibrationsgesamtwert und der angegebene Vibrationsemissionswert können auch für eine anfängliche Beurteilung der Beeinträchtigung verwendet werden.



WARNUNG: Die Vibrations- und Lärmemissionen bei der eigentlichen Nutzung des Elektrowerkzeugs können vom angegebenen Wert abweichen, je nachdem, wie das Werkzeug verwendet wird und insbesondere abhängig davon, welcher Werkstücktyp verarbeitet wird, und abhängig von folgenden Beispielen und verschiedenen Einsatzmöglichkeiten des Werkzeugs:

Wie das Werkzeug verwendet wird und Materialien geschnitten oder angebohrt werden.

Das Werkzeug ist in gutem Zustand und gut gepflegt.

Verwendung des richtigen Zubehörs für das Werkzeug und Gewährleistung seiner Schärfe und seines guten Zustands.

Die Festigkeit des Griffs auf den Handgriffen und, falls Antivibrations- und Lärmschutzzubehör verwendet wird.

Und ob das verwendete Werkzeug dem Design und diesen Anweisungen entsprechend verwendet wird.

Wird dieses Werkzeug nicht angemessen gehandhabt, kann es ein Hand-Arm-Vibrationssyndrom erzeugen.



WARNUNG: Um genau zu sein, sollte ein Abschätzung des Belastungsgrades aller Arbeitsabschnitte während tatsächlicher Verwendung berücksichtigt werden, z.B. die Zeiten, wenn das Werkzeug ausgeschaltet ist, und wenn es sich im Leerlauf befindet und eigentlich nicht eingesetzt wird. Auf diese Weise kann der Belastungsgrad während der gesamten Arbeitszeit wesentlich gemindert werden. Hilft dabei, das Risiko der Vibrations- und Lärmbelastung zu minimieren.

Verwenden Sie IMMER scharfe Meissel, Bohrer und Sägeblätter.

Pflegen Sie dieses Werkzeug diesen Anweisungen entsprechend und achten Sie auf eine gute Einfettung (wo erforderlich).

Falls das Werkzeug regelmäßig verwendet werden soll, investieren Sie in Antivibrations- und Lärmschutzzubehör.

Machen Sie einen Arbeitsplan, um die Verwendung von hochvibrierenden Werkzeugen auf mehrere Tage zu verteilen.

ZUBEHÖRTEILE

	WS2407	WS2407.9
Ladegerät (WS9969)	1	/
Akkupack (WS9940)	1	/
Steckdose (17/19/21)	3	3
Gürtelschnalle	1	1

Wir empfehlen Ihnen, sämtliche Zubehörteile beim selben Fachhändler zu beziehen, bei dem Sie auch Ihr Elektrowerkzeug gekauft haben. Weitere Informationen finden Sie auf der Verpackung der Zubehörteile. Auch Ihr Fachhändler berät Sie gerne.

PRODUKTSICHERHEIT

ALLGEMEINE SICHERHEITSHINWEISE FÜR ELEKTROWERKZEUGE



WARNUNG! Machen Sie sich mit allen Sicherheitswarnungen, Anweisungen, Abbildungen und Spezifikationen vertraut, die mit diesem Elektrowerkzeug geliefert werden. Die Nichtbeachtung der unten aufgeführten Anweisungen kann in elektrischen Schlägen, Feuer und/oder schweren Verletzungen resultieren.

Bewahren Sie alle Sicherheitshinweise und Anweisungen für die Zukunft auf.

Der in den Sicherheitshinweisen verwendete Begriff „Elektrowerkzeug“ bezieht sich auf akkubetriebene Elektrowerkzeuge (ohne Netzkaabel).

1) Arbeitsplatzsicherheit

- a) Halten Sie Ihren Arbeitsbereich sauber und gut beleuchtet. Unordnung oder unbeleuchtete Arbeitsbereiche können zu Unfällen führen.
- b) Arbeiten Sie mit dem Elektrowerkzeug nicht in explosionsgefährdeter Umgebung, in der sich brennbare Flüssigkeiten, Gase oder Stäube befinden. Elektrowerkzeuge erzeugen Funken, die den Staub oder die Dämpfe entzünden können.
- c) Halten Sie Kinder und andere Personen während der Benutzung des Elektrowerkzeugs fern. Bei Ablenkung können Sie die Kontrolle über das Gerät verlieren.

2) Elektrische Sicherheit

- a) Der Anschlussstecker des Elektrowerkzeuges muss in die Steckdose passen. Der Stecker darf in keiner Weise verändert werden. Verwenden Sie keine Adapterstecker gemeinsam mit schutzgeerdeten Elektrowerkzeugen. Unveränderte Stecker und passende Steckdosen verringern das Risiko eines elektrischen Schlag.
- b) Vermeiden Sie Körperkontakt mit geerdeten Oberflächen wie von Rohren, Heizungen, Herden und Kühlschränken. Es besteht ein erhöhtes Risiko durch elektrischen Schlag, wenn Ihr Körper geerdet ist.
- c) Halten Sie Elektrowerkzeuge von Regen oder Nässe fern. Das Eindringen von Wasser in ein Elektrowerkzeug erhöht das Risiko eines elektrischen Schlag.
- d) Zweckentfremden Sie das Kabel nicht, um das Elektrowerkzeug zu tragen, aufzuhängen oder um den Stecker aus der Steckdose zu ziehen. Halten Sie das Kabel fern von Hitze, Öl, scharfen Kanten oder sich bewegendem Geräteteilen. Beschädigte oder verwickelte Kabel erhöhen das Risiko eines elektrischen Schlag.
- e) Wenn Sie mit einem Elektrowerkzeug im Freien arbeiten, verwenden Sie nur Verlängerungskabel, die auch für den Außenbereich geeignet sind. Die Anwendung eines für den Außenbereich geeigneten Verlängerungskabels verringert das Risiko eines elektrischen Schlag.
- f) Wenn der Betrieb des Elektrowerkzeuges in feuchter Umgebung nicht vermeidbar ist, verwenden Sie einen Fehlerstromschutzschalter. Der Einsatz eines Fehlerstromschutzschalters vermindert das Risiko eines elektrischen Schlag.

3) Sicherheit von Personen

- a) Seien Sie aufmerksam, Achten Sie darauf, was Sie tun,

und gehen Sie mit Vernunft an die Arbeit mit einem Elektrowerkzeug. Benutzen Sie kein Elektrowerkzeug, wenn Sie müde sind oder unter dem Einfluss von Drogen, Alkohol oder Medikamenten stehen. Ein Moment der Unachtsamkeit beim Gebrauch des Elektrowerkzeuges kann zu ernsthaften Verletzungen führen.

- b) Tragen Sie persönliche Schutzausrüstung und immer eine Schutzbrille. Das Tragen persönlicher Schutzausrüstung, wie Staubmaske, rutschfeste Sicherheitsschuhe, Schutzhelm oder Gehörschutz, je nach Art und Einsatz des Elektrowerkzeuges, verringert das Risiko von Verletzungen.
- c) Vermeiden Sie eine unbeabsichtigte Inbetriebnahme. Vergewissern Sie sich, dass das Elektrowerkzeug ausgeschaltet ist, bevor Sie es an den Akku anschließen, es aufnehmen oder tragen. Wenn Sie beim Tragen des Elektrowerkzeuges den Finger am Schalter haben oder das Gerät eingeschaltet an die Stromversorgung anschließen, kann dies zu Unfällen führen.
- d) Entfernen Sie Einstellwerkzeuge oder Schraubenschlüssel, bevor Sie das Elektrowerkzeug einschalten. Ein Werkzeug oder Schlüssel, der sich in einem drehenden Geräteteil befindet, kann zu Verletzungen führen.
- e) Vermeiden Sie eine abnormale Körperhaltung. Sorgen Sie für einen sicheren Stand und halten Sie jederzeit das Gleichgewicht. Dadurch können Sie das Elektrowerkzeug in unerwarteten Situationen besser kontrollieren.
- f) Tragen Sie geeignete Kleidung. Tragen Sie keine weite Kleidung oder Schmuck. Halten Sie Haare und Kleidung fern von sich bewegendem Teilen. Lockere Kleidung, Schmuck oder lange Haare können von sich bewegendem Teilen erfasst werden.
- g) Wenn Staubabsaug- und -auffangeinrichtungen montiert werden können, vergewissern Sie sich, dass diese angeschlossen sind und richtig verwendet werden. Verwendung einer Staubabsaugung kann Gefährdungen durch Staub verringern.
- h) Vermeiden Sie, durch die häufige Nutzung des Werkzeuges in einen Trott zu verfallen und Prinzipien für die Werkzeugsicherheit zu ignorieren. Eine unachtsame Aktion kann im Bruchteil einer Sekunde zu schweren Verletzungen führen.
- 4) Verwendung und Behandlung des Elektrowerkzeuges
- a) Überlasten Sie das Gerät nicht. Verwenden Sie für Ihre Arbeit das dafür bestimmte Elektrowerkzeug. Mit dem passenden Elektrowerkzeug arbeiten Sie besser und sicherer im angegebenen Leistungsbereich.
- b) Benutzen Sie kein Elektrowerkzeug, dessen Schalter defekt ist. Ein Elektrowerkzeug, das sich nicht mehr ein- oder ausschalten lässt, ist gefährlich und muss repariert werden.
- c) Klemmen Sie den Stecker von der Stromversorgung ab und/oder entfernen Sie den Akku (falls abnehmbar) aus dem Elektrowerkzeug, bevor Sie Geräteeinstellungen vornehmen, Zubehörteile wechseln oder das Gerät weglegen. Diese Vorsichtsmaßnahme verhindert den unbeabsichtigten Start des Elektrowerkzeuges.
- d) Bewahren Sie unbenutzte Elektrowerkzeuge außerhalb der Reichweite von Kindern auf. Lassen Sie Personen das Gerät nicht benutzen, die mit diesem nicht vertraut sind oder diese Anweisungen nicht gelesen haben. Elektrowerkzeuge sind gefährlich, wenn Sie von unerfahrenen Personen benutzt werden.
- e) Warten Sie die Elektrowerkzeuge und Zubehör.

Kontrollieren Sie, ob bewegliche Teile einwandfrei funktionieren und nicht klemmen, ob Teile gebrochen oder so beschädigt sind, dass die Funktion des Elektrowerkzeuges beeinträchtigt ist. Lassen Sie beschädigte Teile vor dem Einsatz des Gerätes reparieren. Viele Unfälle haben ihre Ursache in schlecht gewarteten Elektrowerkzeugen.

- f) Halten Sie Schneidwerkzeuge scharf und sauber. Sorgfältig gepflegte Schneidwerkzeuge mit scharfen Schneidkanten verkleben sich weniger und sind leichter zu führen.
- g) Verwenden Sie Elektrowerkzeug, Zubehör, Einsatzwerkzeuge usw. entsprechend diesen Anweisungen. Berücksichtigen Sie dabei die Arbeitsbedingungen und die ausführende Tätigkeit. Der Gebrauch von Elektrowerkzeugen für andere als die vorgesehenen Anwendungen kann zu gefährlichen Situationen führen.
- h) Halten Sie die Griffe trocken, sauber und frei von Öl und Fett. Rutschige Griffe und Oberflächen unterbinden die sichere Bedienbarkeit und Kontrolle über das Werkzeug in unerwarteten Situationen.
- 5) Verwendung und Behandlung des Akkuwerkzeugs
- a) Laden Sie die Akkus nur in Ladegeräten auf, die vom Hersteller empfohlen werden. Für ein Ladegerät, das für eine bestimmte Art von Akkus geeignet ist, besteht Brandgefahr, wenn es mit anderen Akkus verwendet wird.
- b) Verwenden Sie nur die dafür vorgesehenen Akkus in den Elektrowerkzeugen. Der Gebrauch von anderen Akkus kann zu Verletzungen und Brandgefahr führen.
- c) Halten Sie den nicht benutzten Akku fern von Büroklammern, Münzen, Schlüsseln, Nägeln, Schrauben oder anderen kleinen Metallgegenständen, die eine Überbrückung der Kontakte verursachen könnten. Ein Kurzschluss zwischen den Akkukontakten kann Verbrennungen oder Feuer zur Folge haben.
- d) Bei falscher Anwendung kann Flüssigkeit aus dem Akku austreten. Vermeiden Sie den Kontakt damit. Bei zufälligem Kontakt mit Wasser abspülen. Wenn die Flüssigkeit in die Augen kommt, nehmen Sie zusätzlich ärztliche Hilfe in Anspruch. Austretende Akkufflüssigkeit kann zu Hautreizungen oder Verbrennungen führen.
- e) Verwenden Sie kein Akkupack oder Werkzeug, das beschädigt ist. Beschädigte oder modifizierte Akkus können unvorhersehbare Reaktionen auslösen und zu Bränden, Explosionen oder Verletzungen führen.
- f) Setzen Sie das Akkupack oder Werkzeug keinem Feuer oder übermäßig hohen Temperaturen aus. Die Belastung durch Feuer oder Temperaturen über 130 °C kann zur Explosion führen.
- g) Befolgen Sie alle Ladeanweisungen, und laden Sie das Akkupack oder Werkzeug nicht außerhalb des in den Anweisungen festgelegten Temperaturbereichs auf. Ein unsachgemäßer Ladevorgang oder Temperaturen außerhalb des festgelegten Bereichs können den Akku schädigen und die Brandgefahr erhöhen.
- 6) Service
- a) Lassen Sie Ihr Elektrowerkzeug nur von qualifiziertem Fachpersonal und nur mit Original-Ersatzteilen reparieren. Damit wird sichergestellt, dass die Sicherheit des Gerätes erhalten bleibt.
- b) Führen Sie niemals Wartungsarbeiten an beschädigten Akkus durch. Die Wartung von Akkupacks darf nur

vom Hersteller selbst oder autorisierten Dienstleistern durchgeführt werden.

SICHERHEITSWARNUNG FÜR SCHRAUBENDREHER

- 1. Halten Sie das Elektrowerkzeug an den isolierten Griffflächen, wenn Sie einen Vorgang ausführen, bei dem das Befestigungselement mit verborgenen Kabeln in Kontakt kommen kann. Befestigungselemente, die mit einem „spannungsführenden“ Draht in Kontakt kommen, können freiliegende Metallteile des Elektrowerkzeugs „spannungsführend“ machen und dem Bediener einen elektrischen Schlag versetzen.

SICHERHEIT HINWEISE FÜR AKKUPACK


- a) Zerlegen, öffnen oder zerkleinern Sie keine Zellen oder Akkupacks.
- b) Schließen Sie einen Akku nicht kurz. Bewahren Sie Akkus nicht willkürlich in einer Kiste oder Schublade auf, wo sie sich gegenseitig kurzschließen oder durch leitende Materialien kurzgeschlossen werden könnten. Wenn der Akku nicht verwendet wird, halten Sie ihn von anderen Metallgegenständen wie Büroklammern, Münzen, Schlüsseln, Nägeln, Schrauben oder anderen kleinen Metallgegenständen fern, die eine Verbindung von einem Anschluss zum anderen herstellen können. Das Kurzschließen der Batteriepole kann zu Verbrennungen oder Feuer führen.
- c) Setzen Sie den Akku nicht Hitze oder Feuer aus. Vermeiden Sie die Lagerung in direktem Sonnenlicht.
- d) Akkupack keinen mechanischen Stößen aussetzen.
- e) Falls die Batterie ausläuft, vermeiden Sie den Kontakt der Flüssigkeit mit der Haut oder den Augen. Wenn es zu einem Kontakt gekommen ist, waschen Sie den betroffenen Bereich mit reichlich Wasser und suchen Sie einen Arzt auf.
- f) Akkupack sauber und trocken halten.
- g) Wischen Sie die Kontakte des Akkupacks mit einem sauberen, trockenen Tuch ab, wenn sie verschmutzt sind.
- h) Der Akku muss vor Gebrauch aufgeladen werden. Befolgen Sie immer diese Anleitung und verwenden Sie die korrekten Ladevorgang.
- i) Lassen Sie den Akkupack nicht aufgeladen, wenn er nicht verwendet wird.
- j) Nach längerer Lagerung kann es erforderlich sein, den Akkupack mehrmals zu laden und zu entladen, um das Maximum zu erreichen Leistung.
- k) Nur mit dem von WESCO vorgeschriebenen Ladegerät aufladen. Verwenden Sie kein anderes Ladegerät als das, das speziell für die Verwendung mit dem Gerät vorgesehen ist.
- l) Verwenden Sie keine Akkus, die nicht für die Verwendung mit dem Gerät vorgesehen sind.
- m) Bewahren Sie den Akku außerhalb der Reichweite von Kindern auf.
- n) Bewahren Sie die Originalproduktliteratur zum späteren Nachschlagen auf.
- o) Entfernen Sie den Akku aus dem Gerät, wenn es nicht verwendet wird.
- p) Ordnungsgemäß entsorgen.

- q) Mischen Sie keine Zellen verschiedener Hersteller, Kapazitäten, Größen oder Typen innerhalb eines Geräts.
- r) Halten Sie den Akku von Mikrowellen und Hochdruck fern.
- s) Achtung! Verwenden Sie keine nicht wiederaufladbaren Batterien.

18°C und 24°C aufgeladen wird. Laden Sie den Akku nicht bei Lufttemperaturen unter 0°C oder über 40°C. Achten Sie darauf, um eine starke Beschädigung des Akkus zu vermeiden.

- 17. Laden Sie nur ein Akkupack, welches dasselbe Modell wie das von WESCO bereitgestellte ist oder von WESCO empfohlen wird.

ALLGEMEINE SICHERHEITSHINWEISE

 **WARNUNG:** Lesen Sie alle Sicherheitshinweise und Anweisungen. Eine Missachtung der nachstehenden Hinweise kann einen Stromschlag, Feuer und/oder Verletzungen nach sich ziehen.

Bewahren Sie alle Sicherheitshinweise und Anweisungen für die Zukunft auf.

Dieses Gerät kann von Kindern ab 8 Jahren und Personen mit verringerten physischen, sensorischen oder mentalen Fähigkeiten bzw. Mangel an Erfahrung oder Kenntnis verwendet werden, wenn sie von einer Person beaufsichtigt oder bezüglich des Gebrauchs des Gerätes in einer sicheren Umgebung unterwiesen werden und die damit verbundenen Gefahren verstehen. Kinder sollten mit dem Gerät nicht spielen und Reinigungs- und Wartungsarbeiten nur unter Aufsicht durchführen.

Falls das Netzkabel beschädigt sein sollte, muss es vom Hersteller, einem seiner Service-Beauftragten oder einer ähnlich qualifizierten Person instandgesetzt werden, damit es nicht zu Gefährdungen kommt.

ZUSÄTZLICHE SICHERHEITSHINWEISE FÜR IHR LADEGERÄT

1. Vor dem Aufladen bitte die Bedienungsanleitung lesen.
2. Laden Sie einen ausgelaufenen Akku nicht auf.
3. Benutzen Sie Ladegerät nicht für Zwecke, für die sie nicht gedacht sind.
4. Schließen Sie das Ladegerät nur an den Netzstrom an.
5. Nicht im Freien verwenden, vor Regen und Feuchtigkeit schützen.
6. Das Ladegerät muss vor Nässe geschützt sein.
7. Verwenden Sie das Ladegerät nicht im Freien.
8. Schließen Sie die Kontakte des Akkus oder des Ladegeräts nicht kurz.
9. Achten Sie beim Laden auf die Polarität "+/-".
10. Öffnen Sie das Gerät nicht und halten Sie es von Kindern entfernt.
11. Laden Sie keine Akkus anderer Hersteller.
12. Vergewissern Sie sich, dass die Verbindung zwischen dem Ladegerät und dem Akku korrekt positioniert ist und nicht durch andere Gegenstände behindert wird.
13. Halten Sie die Öffnungen im Ladegerät frei von fremden Objekten und schützen Sie sie vor Verschmutzung und Nässe. Bewahren Sie das Gerät trocken und frostfrei auf.
14. Achten Sie darauf, dass das Laden von Akkus an einem gut gelüfteten Ort und nicht in der Nähe einer brennbaren Umgebung geschieht. Akkus erhitzen sich beim Laden. Sie dürfen nicht überladen werden. Sorgen Sie dafür, dass Akkus und Ladegerät beim Aufladen nicht unbeaufsichtigt sind.
15. Laden Sie keine nicht-aufladbaren Akkus auf, da diese überhitzen und aufbrechen können.
16. Eine längere Lebenszeit und eine bessere Leistung erreicht man, wenn der Akku bei einer Lufttemperatur zwischen

SYMBOLS



Zur Reduzierung der Verletzungsgefahr bitte die Bedienungsanleitung durchlesen.



Warnung



Tragen Sie einen Gehörschutz



Tragen Sie eine Schutzbrille



Tragen Sie eine Staubmaske



Nicht im Freien verwenden(Ladegerät)



Bedienungsanleitung lesen.



Wenn die Akku nicht ordnungsgemäß gehandhabt wird, kann sie in den Wasserkreislauf gelangen, der für das Ökosystem schädlich sein kann. Entsorgen Sie verbrauchte Batterien nicht als unsortierten Hausmüll.



Nicht verbrennen



Positiver Anschluss



Negativer Anschluss



Lithium-Ionen Akku Dieses Produkt wurde mit den Symbolen für die "getrennte Sammlung" aller Akkupacken und Akkupacken gekennzeichnet. Es wird dann recycelt oder entfernt, um die Umweltbelastung zu reduzieren. Der Akkupacken kann umweltschädlich und gesundheitsschädlich sein, da er schädliche Substanzen enthält.





Elektroprodukte dürfen nicht mit dem normalen Haushaltsmüll entsorgt werden, sondern sollten nach Möglichkeit zu einer Recyclingstelle gebracht werden. Ihre zuständigen Behörden oder Ihr Fachhändler geben Ihnen hierzu gerne Auskunft.



Schutzisolation (Ladegerät)



Sicherung

HINWEISE ZUM BETRIEB



HINWEIS: Lesen Sie das Handbuch vor Inbetriebnahme des Werkzeuges sorgfältig durch.

BESTIMMUNGSGEMÄSSER GEBRAUCH

Dieses Werkzeug ist zum Befestigen und Lösen von Schrauben, Muttern und verschiedenen Befestigungselementen mit Gewinde bestimmt. Dieses Werkzeug ist nicht als Bohrmaschine geeignet.

VOR INBETRIEBNAHME

1. LADEN DES AKKUS

- Verwenden Sie nur das spezifisch für die Ausstattung vorgesehene Ladegerät.
- Wenn das Akkupack sehr heiß ist, müssen Sie dieses aus dem Ladegerät entfernen und dem Akku ausreichend abkühlen lassen, bevor Sie ihn wiederaufladen.
- Der Akku Ihres neuen Werkzeuges ist nicht geladen, wenn er das Werk verlässt. Daher muss er vor der ersten Nutzung vollständig aufgeladen werden.
- Bitte laden Sie den Akku vor der Lagerung vollständig oder mindestens bis zur Hälfte auf. Wenn das Werkzeug für längere Zeit nicht verwendet wird, laden Sie den Akku alle 3 bis 6 Monate auf.

AKKUPACK AUS DEM LADEGERÄT ENTFERNEN ODER INSTALLIEREN (SIEHE ABB. A1)

Schieben Sie den Akku in den Akkuanschluss des Ladegeräts. Ein einfacher Stoß und leichter Druck reicht aus. Drücken Sie den Akkupack herunter. Lassen Sie die Taste zuerst fest los und schieben Sie dann den Akku heraus vom Ladegerät.

LADEN DES AKKUS

- Stecken Sie das Ladegerät in eine geeignete Steckdose. Das Licht leuchtet grün.
- Bringen Sie das Akkupack in das Ladegerät, das Licht zeigt mit rot an, dass der Ladevorgang beginnt.
- Nach Abschluss des Ladevorgangs leuchtet das Licht grün. Das Akkupack ist nun voll aufgeladen. Trennen Sie das Ladegerät und entfernen Sie das Akkupack.

LADÉ-ANZEIGEN

Dieses Ladegerät wurde konzipiert, um Probleme von Batteriepacks zu erkennen. Die Anzeigelichter zeigen Probleme an (siehe Tabelle unten). Falls dies auftreten sollte, legen Sie ein neues Batteriepack ein um herauszufinden, ob das Ladegerät funktionsfähig ist. Wenn

die neue Batterie richtig lädt, so ist das alte Batteriepack defekt und sollte an ein Service- oder Recycling-Center zurückgegeben werden. Wenn das neue Batteriepack das gleiche Problem wie das ursprüngliche Batteriepack aufweist, lassen Sie das Ladegerät in einem autorisierten Service-Center überprüfen.

Licht	Status
Rot an	Lädt
Grün an	Ladevorgang abgeschlossen



WARNUNG: Falls die Ladekapazität aufgrund langer Benutzung oder direkter Sonneneinstrahlung oder Hitze zur Neige geht, lassen Sie den Akku vor dem Wiederaufladen ausreichend abkühlen, damit die volle Ladung erreicht werden kann.

ÜBERPRÜFUNG DES ENERGIEZUSTANDS DES BATTERIEPACKS (SIEHE ABB. A2)

Den Batteriestand können Sie an der Batterieanzeige ablesen, indem Sie die Taste neben den Lichtern drücken.

2. ANBRINGEN UND ENTFERNEN DES AKKUS (SIEHE ABB. A3, A4)

Drücken Sie die Akkuverriegelung hinein, um den Akku zu entriegeln, und ziehen Sie ihn aus dem Bohrer heraus. Schieben Sie ihn nach dem Aufladen wieder in den Bohrer hinein. Schieben Sie ihn mit leichtem Druck ganz in die Aufnahme hinein.

BETRIEB

1. INSTALLIEREN ODER ENTFERNEN DER STECKDOSE AM WERKZEUGHALTER (NICHT MITGELIEFERT) (SIEHE ABB. B)

Stecken Sie zur Montage der Buchse die Buchse auf den Werkzeughalter. Um die Buchse zu entfernen, ziehen Sie die Buchse aus der Werkzeugaufnahme.



WARNUNG: Untersuchen Sie die Werkzeughalter und den Sockel sorgfältig, bevor Sie das Werkzeug verwenden. Fehlende oder beschädigte Artikel sollten ersetzt werden. Vergewissern Sie sich, dass der Schalter ausgeschaltet ist, oder entfernen Sie den Akku, bevor Sie das Zubehör wechseln.

2. EIN / AUS-SCHALTER (SIEHE ABB. C)

Drücken Sie den Ein-/Ausschalter zum Starten und lassen Sie ihn los, um Ihr Werkzeug zu stoppen.

Der Ein-/Ausschalter ist mit einer Bremsfunktion ausgestattet, die Ihr Spannfutter sofort stoppt, wenn Sie den Schalter schnell loslassen.

Es ist auch ein Schalter mit variabler Geschwindigkeit, der bei erhöhtem Abzugsdruck eine höhere Geschwindigkeit und ein höheres Drehmoment liefert. Die Geschwindigkeit wird durch die Stärke des Niederdrückens des Schalterauslösers gesteuert.



WARNUNG: Untersuchen Sie die Werkzeughalter und den Sockel sorgfältig, bevor Sie das Werkzeug verwenden. Fehlende oder beschädigte Artikel sollten ersetzt werden. Vergewissern Sie sich, dass der Schalter ausgeschaltet ist, oder entfernen Sie den Akku, bevor Sie das Zubehör wechseln.

3. SCHALTSPERRE

Der Ein-/Ausschalter kann in der AUS-Position arretiert werden. Dies trägt dazu bei, die Möglichkeit eines versehentlichen Startens bei Nichtgebrauch zu verringern. Um den Ein-/Ausschalter zu sperren, bringen Sie den Drehrichtungswähler in die Mittelstellung.

4. REVERSIBEL (SIEHE ABB. D1, D2)

Für eine Vorwärtsdrehung (mit von Ihnen weg gerichtetem Spannfüter) bewegen Sie die Drehsteuerung nach links.
Für eine Rückwärtsdrehung (mit von Ihnen weg gerichtetem Spannfüter) bewegen Sie die Drehsteuerung nach rechts.



WARNUNG: Wechseln Sie niemals die Drehrichtung bei rotierendem Spannfüter, sondern warten Sie bis zum Stillstand!

5. VERWENDUNG DES LED-LICHTS (SIEHE ABB. E)

Um das Licht einzuschalten, drücken Sie einfach den Ein-/Ausschalter. Wenn Sie den Ein-/Ausschalter loslassen, erlischt das Licht.
LED-Beleuchtung erhöht die Sichtbarkeit in dunklen oder geschlossenen Bereichen.

6. VARIABLE 3-GESCHWINDIGKEIT (SIEHE ABB. E)

Drücken Sie die rote Taste, um die bevorzugte Rotationsgeschwindigkeit auszuwählen, Stufen 1 bis 3, wobei 3 die schnellste ist. Die Betriebsgeschwindigkeit wird beleuchtet.

7. GÜRTELCLIP VERWENDEN (SIEHE ABB. F1, F2)

Schrauben Sie den Gürtelclip mit der in der Plastiktüte mitgelieferten Schraube auf das Werkzeug. Der Gürtelclip kann an Ihrem Gürtel oder Ihrer Tasche usw. befestigt werden.

8. ÜBERLASTSCHUTZ

Bei Überlastung bleibt der Motor stehen. Maschine sofort entlasten und ca. 30 Sekunden bei höchster Leerlaufdrehzahl.

9. TEMPERATURABHÄNGIGER ÜBERLASTSCHUTZ

Bei bestimmungsgemäßem Gebrauch darf das Elektrowerkzeug nicht überlastet werden. Bei zu hoher Belastung oder Überschreiten der zulässigen Akkutemperatur von 75°C schaltet die elektronische Steuerung das Elektrowerkzeug ab, bis die Temperatur wieder im optimalen Temperaturbereich liegt.

10. SCHUTZ GEGEN TIEFENENTLADUNG

Der Li-Ionen-Akku ist durch das „Discharging Protection System“ vor Tiefentladung geschützt. Bei leerem Akku wird die Maschine über eine Schutzschaltung abgeschaltet: Das eingesetzte Werkzeug dreht sich nicht mehr.

PROBLEMBEHEBUNG

1. GRÜNDE FÜR UNTERSCHIEDLICHE AKKU-ARBEITSZEITEN

Probleme mit der Ladezeit und das längere Nichtbenutzen eines Akkus verringern die Betriebszeit des Akkus. Dies kann nach mehreren Lade- und Entladevorgängen durch Laden und Arbeiten mit Ihrem Fahrer korrigiert werden. Schwere Arbeitsbedingungen wie große Schrauben in hartes Holz verbrauchen die Energie des Akkupacks schneller als leichtere Arbeitsbedingungen. Laden Sie Ihren Akku nicht unter 0 °C und über 45 °C auf, da dies die Leistung beeinträchtigt.

2. WARUM SCHALTET SICH DAS WERKZEUG NICHT EIN, WENN SIE DEN SCHALTER DRÜCKEN?

Die Vorwärts-/Rückwärtsdrehsteuerung, die sich oben auf dem Abzug befindet, befindet sich in der Sperrfunktion. Entriegeln Sie die Vorwärts-/Rückwärtsdrehsteuerung, indem Sie sie in die gewünschte Drehposition bringen. Drücken Sie den Auslöser und das Werkzeug beginnt sich zu drehen.

WARTUNG

Entfernen Sie das Akkupack aus dem Werkzeug, bevor Sie Einstellungs-, Service- oder Wartungsarbeiten durchführen.
Ihr Werkzeug benötigt keine zusätzliche Schmierung oder Wartung. Es enthält keine Teile, die Sie warten müssen. Reinigen Sie Ihr Werkzeug niemals mit Wasser oder chemischen Lösungsmitteln. Wischen Sie es mit einem trockenen Tuch sauber. Lagern Sie Ihr Werkzeug immer an einem trockenen Platz. Sorgen Sie dafür, dass bei staubigen Arbeiten die Lüftungsöffnungen frei sind. Halten Sie alle Bedienelemente staubfrei. Gelegentlich sind durch die Lüftungsschlitze hindurch Funken zu sehen. Dies ist normal und wird Ihr Werkzeug nicht beschädigen.

Bei Akkuwerkzeugen

Der Umgebungstemperaturbereich für die Nutzung und Lagerung von Werkzeug und Akku liegt zwischen 0 °C und 45 °C.
Der empfohlene Umgebungstemperaturbereich für die Ladestation liegt zwischen 0 °C und 40 °C.

UMWELTSCHUTZ



Elektroprodukte dürfen nicht mit dem normalen Haushaltsmüll entsorgt werden, sondern sollten nach Möglichkeit zu einer Recyclingstelle gebracht werden. Ihre zuständigen Behörden oder Ihr Fachhändler geben Ihnen hierzu gerne Auskunft.

KONFORMITÄTSERKLÄRUNG

Wir,
POSITEC Germany GmbH
Postfach 32 02 16, 50796 Cologne, Germany

Erklären hiermit, dass unser Produkt,
Beschreibung **Akkubetriebener Bohrer**
Typ **WS2407 WS2407.9 (24-Maschinenbezeichnung,**
repräsentativ für Akku-Schlagschrauber)
Funktion **Anziehen und Lösen von Schrauben, Muttern**

Den Bestimmungen der folgenden Richtlinien entspricht:
2006/42/EC
2011/65/EU & (EU)2015/863,
2014/30/EU
2014/35/EU
2006/66/EC & 2013/56/EU

Werte nach
EN 55014-1, EN 55014-2, EN 62841-1, EN 62841-2-2
EN 60335-1, EN 60335-2-29, EN 62233,
EN IEC 61000-3-2, EN 61000-3-3, EN 62133-2

Zur Kompilierung der technischen Datei ermächtigte Person,
Name Marcel Filz
Anschrift POSITEC Germany GmbH
Postfach 32 02 16, 50796 Cologne, Germany



2023/04/04
Allen Ding
Stellvertretender Cheffingenieur, Prüfung und Zertifizierung
Positec Technology (China) Co., Ltd
18, Dongwang Road, Suzhou Industrial
Park, Jiangsu 215123, P. R. China




LISTE DES COMPOSANTS

1. Commande de rotation avant/arrière
2. Interrupteur marche/arrêt
3. Poignée souple
4. Agrafe de ceinture
5. Batterie*
6. Bouton de libération de la batterie*
7. Lumière LED
8. Bouton de commande variable à 3 vitesses
9. Porte-outil

* Les accessoires reproduits ou décrits ne sont pas tous compris avec le modèle standard livré.

CARACTÉRISTIQUES TECHNIQUES

Type WS2407 WS2407.9 (24-désignation des machines, représentatives de la clé à chocs sans fil)

	WS2407	WS2407.9
Tension nominale	18V 	
Vitesse nominale à vide	0-900/2400/3000 /min	
Couple maxi	350 N.m	
Taux d'impact	0-1200/3300/4000 bpm	
Taille du mandrin	1/2"	
Poids de la machine	1.693 kg	1.043 kg
Sortie chargeur (WS9969)	20 V  2.0 A	/
Entrée chargeur (WS9969)	100-240 V~50/60 Hz, 55W	/
Classe de protection du chargeur	 /II	/
Capacité de la batterie (WS9940)	4.0Ah	/
Temps de charge	2hr	/

INFORMATIONS RELATIVES AU BRUIT

Niveau de pression acoustique pondéré A
Niveau de puissance acoustique pondéré A

K_{PA} & K_{WA}

Porter une protection pour les oreilles.

$L_{PA} = 83.6$ dB(A)
 $L_{WA} = 94.6$ dB(A)
3 dB(A)

INFORMATIONS RELATIVES AUX VIBRATIONS


Valeurs totales de vibration (somme du vecteur triaxial) déterminées selon la norme EN 62841:

Valeur d'émission de vibrations $a_{n,D} = 7,446 \text{ m/s}^2$

Incertitude $K = 1.5 \text{ m/s}^2$

La valeur totale de vibration déclarée et la valeur d'émission de bruit déclarée ont été mesurées conformément à la méthode d'essai standard et peuvent être utilisées pour comparer un outil à un autre.

La valeur totale de vibration déclarée et la valeur d'émission de bruit déclarée peuvent également être utilisées lors d'une évaluation préliminaire de l'exposition.

 **AVERTISSEMENT:** Les vibrations et les émissions de bruit au cours de l'utilisation réelle de l'outil électrique peuvent varier de la valeur déclarée en fonction du mode d'utilisation de l'outil, en particulier du type de pièce traité selon les exemples suivants et d'autres variations concernant le mode d'utilisation de l'outil:

Comment l'outil est utilisé et quels matériaux sont coupés ou percés.


L'outil est en bon état et bien entretenu.

L'utilisation du bon accessoire pour l'outil et l'assurance qu'il est affûté et en bon état.

La force avec laquelle vous serrez les poignées et l'utilisation éventuelle d'un quelconque accessoire anti-bruit et anti-vibration.

Et l'outil est utilisé comme prévu dans sa conception et dans les présentes instructions.

Cet outil peut causer un syndrome de vibration du bras et de la main s'il n'est pas correctement géré.

 **AVERTISSEMENT:** Pour être précise, une évaluation du niveau d'exposition en conditions réelles d'utilisation doit également tenir compte de toutes les parties du cycle d'utilisation telles que les moments où l'outil est éteint, et ceux où il fonctionne au ralenti mais ne réalise pas réellement de tâche. Ceci peut réduire de façon significative le niveau d'exposition et la période de fonctionnement totale.

Facteurs contribuant à minimiser votre risque d'exposition aux vibrations et au bruit.

Utilisez TOUJOURS des ciseaux, des forets et des lames affûtés.

Entretenez cet outil en accord avec les présentes instructions et maintenez-le lubrifié (si approprié).

Si l'outil doit être fréquemment utilisé, investissez dans des accessoires anti-bruit et anti-vibration.

Planifiez votre travail pour étaler toute utilisation d'outil à fortes vibrations sur plusieurs jours.

ACCESSOIRES

	WS2407	WS2407.9
Chargeur (WS9969)	1	/
Batterie (WS9940)	1	/
Prise (17/19/21)	3	3
Boucle de ceinture	1	1

Nous vous recommandons d'acheter tous les accessoires dans le magasin d'acquisition de la machine. Pour plus d'informations, se référer à l'emballage des accessoires. Le personnel du magasin est également là pour vous conseiller.

SÉCURITÉ DU PRODUIT

AVERTISSEMENTS DE SÉCURITÉ GÉNÉRAUX POUR L'OUTIL



AVERTISSEMENT: Lire l'ensemble des mises en garde, instructions, illustrations et spécifications fournies avec cet outil électrique. Ne pas suivre toutes les instructions énumérées ci-dessous peut conduire à une électrocution, un incendie et / ou des blessures graves.

Conservé tous les avertissements et toutes les instructions pour pouvoir s'y reporter ultérieurement.

Le terme «outil» dans les avertissements fait référence à votre outil électrique alimenté par le secteur (avec cordon d'alimentation) ou votre outil fonctionnant sur batterie (sans cordon d'alimentation).

1) SÉCURITÉ DE LA ZONE DE TRAVAIL

- a) **Conserver la zone de travail propre et bien éclairée.** Les zones en désordre ou sombres sont propices aux accidents.
- b) **Ne pas faire fonctionner les outils électriques en atmosphère explosive, par exemple en présence de liquides inflammables, de gaz ou de poussières.** Les outils électriques produisent des étincelles qui peuvent enflammer les poussières ou les fumées.
- c) **Maintenir les enfants et les personnes présentes à l'écart pendant l'utilisation de l'outil.** Les distractions peuvent vous faire perdre le contrôle de l'outil.

2) SÉCURITÉ ÉLECTRIQUE

- a) **Il faut que les fiches de l'outil électrique soient adaptées au socle.** Ne jamais modifier la fiche de quelque façon que ce soit. Ne pas utiliser d'adaptateurs avec des outils à branchement de terre. Des fiches non modifiées et des socles adaptés réduiront le risque de choc électrique.
- b) **Éviter tout contact du corps avec des surfaces reliées à la terre telles que les tuyaux, les radiateurs, les cuisinières et les réfrigérateurs.** Il existe un risque accru de choc électrique si votre corps est relié à la terre.
- c) **Ne pas exposer les outils à la pluie ou à des conditions humides.** La pénétration d'eau à l'intérieur d'un outil augmentera le risque de choc électrique.
- d) **Ne pas maltraiter le cordon.** Ne jamais utiliser le cordon pour porter, tirer ou débrancher l'outil. Maintenir le cordon à l'écart de la chaleur, du lubrifiant, des arêtes ou des parties en mouvement. Des cordons endommagés ou emmêlés augmentent le risque de choc électrique.
- e) **Lorsqu'on utilise un outil à l'extérieur, utiliser un prolongateur adapté à l'utilisation extérieure.** L'utilisation d'un cordon adapté à l'utilisation extérieure réduit le risque de choc électrique.
- f) **Si l'usage d'un outil dans un emplacement humide est inévitable, utiliser une alimentation protégée par un dispositif à courant différentiel résiduel (DDR).** L'usage d'un DDR réduit le risque de choc électrique.

3) SÉCURITÉ DES PERSONNES

- a) **Restez vigilant, regardez ce que vous êtes en train de faire et faites preuve de bon sens dans votre utilisation de l'outil.** Ne pas utiliser un outil lorsque vous êtes fatigué ou sous l'emprise de drogues, d'alcool ou de médicaments. Un moment d'inattention en cours d'utilisation d'un outil peut entraîner des blessures graves des personnes.
- b) **Utiliser un équipement de sécurité.** Toujours porter une

protection pour les yeux. Les équipements de sécurité tels que les masques contre les poussières, les chaussures de sécurité antidérapantes, les casques ou les protections acoustiques utilisés pour les conditions appropriées réduiront les blessures de personnes.

- c) **Éviter tout démarrage intempestif.** S'assurer que l'interrupteur est en position arrêté avant de brancher l'outil au secteur et/ou au bloc de batteries, de le ramasser ou de le porter. Porter les outils en ayant le doigt sur l'interrupteur ou brancher des outils dont l'interrupteur est en position marche est source d'accidents.
 - d) **Retirer toute clé de réglage avant de mettre l'outil en marche.** Une clé laissée fixée sur une partie tournante de l'outil peut donner lieu à des blessures de personnes.
 - e) **Ne pas se précipiter.** Garder une position et un équilibre adaptés à tout moment. Cela permet un meilleur contrôle de l'outil dans des situations inattendues.
 - f) **S'habiller de manière adaptée.** Ne pas porter de vêtements amples ou de bijoux. Garder les cheveux et les vêtements à distance des parties en mouvement. Des vêtements amples, des bijoux ou les cheveux longs peuvent être pris dans des parties en mouvement.
 - g) **Si des dispositifs sont fournis pour le raccordement d'équipements pour l'extraction et la récupération des poussières, s'assurer qu'ils sont connectés et correctement utilisés.** Utiliser des collecteurs de poussière peut réduire les risques dus aux poussières.
 - h) **Ne pas laisser les habitudes acquises au cours d'une utilisation fréquente des outils nous rendre complaisants et ignorer les principes de sécurité de l'outil.** Une action imprudente peut entraîner des blessures graves en une fraction de seconde.
- ### 4) UTILISATION ET ENTRETIEN DE L'OUTIL
- a) **Ne pas forcer l'outil.** Utiliser l'outil adapté à votre application. L'outil adapté réalisera mieux le travail et de manière plus sûre au régime pour lequel il a été construit.
 - b) **Ne pas utiliser l'outil si l'interrupteur ne permet pas de passer de l'état de marche à arrêté et vice versa.** Tout outil qui ne peut pas être commandé par l'interrupteur est dangereux et il faut le réparer.
 - c) **Débrancher la prise de la source d'alimentation et / ou retirer la batterie, si elle est amovible, de l'outil, avant tout réglage, changement d'accessoires ou avant de ranger l'outil.** De telles mesures de sécurité préventives réduisent le risque de démarrage accidentel de l'outil.
 - d) **Conserver les outils à l'arrêt hors de la portée des enfants et ne pas permettre à des personnes ne connaissant pas l'outil ou les présentes instructions de le faire fonctionner.** Les outils sont dangereux entre les mains d'utilisateurs novices.
 - e) **Entretenir les outils et accessoires électriques.** Vérifier qu'il n'y a pas de mauvais alignement ou de blocage des parties mobiles, des pièces cassées ou toute autre condition pouvant affecter le fonctionnement de l'outil. En cas de dommages, faire réparer l'outil avant de l'utiliser. De nombreux accidents sont dus à des outils mal entretenus.
 - f) **Garder affûtés et propres les outils permettant de couper.** Des outils destinés à couper correctement entretenus avec des pièces coupantes tranchantes sont moins susceptibles de bloquer et sont plus faciles à contrôler.
 - g) **Utiliser l'outil, les accessoires et les lames etc., conformément à ces instructions, en tenant compte des**

conditions de travail et du travail à réaliser. L'utilisation de l'outil pour des opérations différentes de celles prévues pourrait donner lieu à des situations dangereuses.

- h) **Maintenir les poignées et les surfaces de préhension sèches, propres et exemptes d'huile et de graisse.** Des poignées et surfaces de préhension glissantes ne permettent pas une manipulation et un contrôle de l'outil en toute sécurité en cas d'imprévu.
- 5) **UTILISATION DES OUTILS FONCTIONNANT SUR BATTERIES ET PRÉCAUTIONS D'EMPLOI**
- a) **Ne recharger qu'avec le chargeur spécifié par le fabricant.** Un chargeur qui est adapté à un type de bloc de batteries peut entraîner un risque d'incendie lorsqu'il est utilisé avec un autre type de bloc de batteries.
- b) **N'utiliser les outils qu'avec des blocs de batteries spécifiquement désignés.** L'utilisation de tout autre bloc de batteries peut entraîner un risque de blessure et d'incendie.
- c) **Lorsqu'un bloc de batteries n'est pas utilisé, le maintenir à l'écart de tout autre objet métallique, par exemple trombones, pièces de monnaie, clés, clous, vis ou autres objets de petite taille qui peuvent donner lieu à une connexion d'une borne à une autre.** Le court-circuitage des bornes d'une batterie entre elles peut causer des brûlures ou un incendie.
- d) **Dans de mauvaises conditions, du liquide peut être éjecté de la batterie; éviter tout contact.** En cas de contact accidentel, nettoyer à l'eau. Si le liquide entre en contact avec les yeux, rechercher en plus une aide médicale. Le liquide éjecté des batteries peut causer des irritations ou des brûlures.
- e) **N'utilisez pas de batterie ou d'outil endommagé ou modifié.** Des batteries endommagées ou modifiées peuvent se comporter de façon imprévisible et causer un incendie, une explosion ou un risque de blessure.
- f) **N'exposez pas une batterie ou un outil à un incendie ou à une température excessive.** L'exposition à un incendie ou une température supérieure à 130 °C peut causer une explosion.
- g) **Suivez toutes les instructions de charge et ne rechargez pas la batterie ou l'outil en dehors de la plage de température spécifiée dans les instructions.** Recharger la batterie de façon inappropriée ou en dehors de la plage de température spécifiée peut l'endommager et augmente le risque d'incendie.
- 6) **MAINTENANCE ET ENTRETIEN**
- a) **Faire entretenir l'outil par un réparateur qualifié utilisant uniquement des pièces de rechange identiques.** Cela assurera le maintien de la sécurité de l'outil.
- b) **Ne réviser jamais de batteries endommagées.** La révision de batteries doit uniquement être effectuée par le fabricant ou les prestataires de service autorisés.

AVERTISSEMENT DE SÉCURITÉ DU TOURNEVIS

1. Tenez l'outil électrique par les surfaces de préhension isolées lorsque vous effectuez une opération où la fixation peut entrer en contact avec un câblage caché. Les attaches en contact avec un fil « sous tension » peuvent rendre les parties métalliques exposées de l'outil électrique

« sous tension » et pourraient donner à l'opérateur un choc électrique.

MISES EN GARDE CONCERNANT LA BATTERIE

- a) La batterie et les piles secondaires ne doivent pas être ouvertes, démontées ou broyées.
- b) La batterie ne doit pas être court-circuitée. Évitez de mettre la batterie en vrac dans une boîte ou dans un tiroir où elles risqueraient de se court-circuiter entre elles ou au contact d'autres objets métalliques. Après usage, évitez tout contact de la batterie avec d'autres objets métalliques de petite taille (trombones, pièces, clés, clous, vis etc.) susceptibles de court-circuiter les pôles. Un court-circuit entre les pôles de la batterie peut être à l'origine de brûlures ou d'un incendie.
- c) La batterie ne doit pas être exposée au feu et à la chaleur. Évitez de la ranger à la lumière du soleil.
- d) La batterie et les piles ne doivent pas être soumises à des chocs mécaniques.
- e) En cas de fuite des piles, évitez tout contact du liquide avec la peau et les yeux. En cas de contact, rincez abondamment la surface touchée avec de l'eau et appelez les urgences.
- f) La batterie et les piles doivent rester propres et sèches.
- g) Si la batterie ou les piles se salissent, essuyez-les avec un chiffon propre et sec.
- h) La batterie et les piles doivent être chargées avant usage. Utilisez toujours le chargeur adéquat, et respectez les instructions du fabricant ou le mode d'emploi de l'appareil concernant la procédure de recharge.
- i) Évitez de laisser une batterie se charger pendant trop longtemps lorsqu'elle n'est pas utilisée.
- j) Après de longues périodes d'inutilisation, il peut être nécessaire de charger et décharger la batterie et les piles à plusieurs reprises avant que celles-ci ne retrouvent leur capacité maximale.
- k) N'utilisez pas d'autre chargeur que celui spécifié par WESCO. N'utilisez pas d'autre chargeur que celui spécifiquement fourni avec l'appareil.
- l) N'utilisez en aucun cas une batterie autre que celle prévue pour cet appareil.
- m) La batterie doit être tenue hors de portée des enfants.
- n) Gardez la documentation d'origine du produit afin de pouvoir vous y référer ultérieurement.
- o) Enlevez la batterie de l'appareil lorsque vous ne l'utilisez pas.
- p) Respectez les procédures de mise au rebut.
- q) Ne pas mélanger des piles de fabrication, capacité, taille ou type différents dans un appareil.
- r) Protégez la batterie des micro-ondes et des hautes pressions.
- s) Attention ! N'utilisez pas de piles non rechargeables.

INSTRUCTIONS DE SÉCURITÉ POUR CHARGEURS



ATTENTION: Lire toutes les instructions et tous les avertissements liés à la sécurité. Lire toutes les instructions. Si les instructions ne sont pas respectées, il existe un

risque de décharges électriques, d'incendie et/ou de blessures graves.

Conservetous les avertissements et toutes les instructions pour pouvoir s'y reporter ultérieurement.

Cet appareil peut être utilisé par des enfants âgés de 8 ans et plus, et des personnes ayant des capacités physiques, sensorielles ou mentales réduites, ou présentant un manque d'expérience et de connaissances, si elles sont sous surveillance ou formées à l'utilisation de l'appareil en toute sécurité et comprennent les risques qu'il entraîne.

Les enfants ne doivent pas jouer avec l'appareil. L'entretien et le nettoyage ne doivent pas être effectués par des enfants sans surveillance.

Si l'alimentation est endommagée, elle doit être remplacée par le fabricant, son agent de maintenance ou une personne qualifiée de façon similaire, afin d'éviter tout danger.

INSTRUCTIONS SUPPLÉMENTAIRES LIÉES A LA SÉCURITÉ POUR VOTRE CHARGEUR DE BATTERIE

1. Avant la recharge, lisez les instructions.
2. Ne chargez pas une batterie qui fuit.
3. N'utilisez pas de chargeurs pour des travaux autres que ceux pour lesquels ils sont conçus.
4. Ne branchez le chargeur que sur une alimentation réseau alternatif (AC).
5. Usage interne uniquement, n'exposez pas le chargeur à la pluie ou à l'eau.
6. Le chargeur doit être protégé de l'humidité !
7. N'utilisez pas le chargeur à l'extérieur.
8. Ne court-circuitez pas les contacts de la batterie ou du chargeur.
9. Respectez la polarité "+/-" lors de la charge.
10. N'ouvrez l'appareil et tenez-le hors de portée des enfants.
11. Ne chargez pas de batteries d'autres fabricants.
12. Assurez-vous que la connexion entre le chargeur de batterie et la batterie est correctement positionnée et n'est pas obstruée par des corps étrangers.
13. Laissez les fentes du chargeur de batterie libres d'objets étrangers et protégez-le de la poussière et de l'humidité. Stockez-le dans un endroit sec et qui ne gèle pas.
14. Lors de la charge de batteries, assurez-vous que le chargeur de batterie est dans un endroit bien ventilé et à l'écart de matériaux inflammables. Les batteries peuvent chauffer pendant la charge. Ne surchargez pas les batteries. Assurez-vous que les batteries et les chargeurs de batterie ne restent pas sans surveillance pendant la charge.
15. Ne chargez pas de batteries non rechargeables, car elles peuvent chauffer et s'endommager.
16. Une vie plus longue et de meilleures performances peuvent être obtenues si la batterie est chargée lorsque la température de l'air est entre 18°C et 24°C. Ne chargez pas la batterie à des températures ambiantes inférieures à 0°C, ou au-dessus de 40°C. Ceci est important, car la batterie peut en être sérieusement endommagée.
17. Chargez uniquement des batteries du même modèle que celui fourni par WESCO et des modèles recommandés par WESCO.

SYMBOLS



Pour réduire le risque de blessure, l'utilisateur doit lire le mode d'emploi.



Avertissement



Porter une protection pour les yeux



Porter une protection pour les oreilles



Porter un masque contre la poussière



Usage interne uniquement (Chargeur)



Lire le manuel



Les piles peuvent entrer dans le cycle de l'eau si elles sont éliminées de manière inappropriée, ce qui peut être dangereux pour l'écosystème. Ne pas jeter les piles usagées comme des déchets municipaux non triés.



Nicht verbrennen



Borne positive



Borne négative



Batterie Li-Ion Ce produit comporte un symbole de « Collecte séparée » de toutes les batteries. Il sera ensuite recyclé ou démantelé, afin de réduire l'impact sur l'environnement. Les batteries peuvent être dangereuses pour l'environnement et la santé humaine, car elles contiennent des substances dangereuses.



Les déchets d'équipements électriques et électroniques ne doivent pas être déposés avec les ordures ménagères. Ils doivent être collectés pour être recyclés dans des centres spécialisés. Consultez les autorités locales ou votre revendeur pour obtenir des renseignements sur l'organisation de la collecte.



Double isolation (Chargeur)



INSTRUCTIONS D'UTILISATION



REMARQUE: Avant d'utiliser cet outil, lisez attentivement le mode d'emploi.

UTILISATION CONFORME

Cet outil est destiné au serrage et au desserrage des boulons, écrous et diverses fixations filetées. Cet outil n'est pas destiné à être utilisé comme une perceuse.

AVANT UTILISATION

1. RECHARGE DES BATTERIES

- N'utilisez aucun autre chargeur que celui spécifiquement prévu pour être utilisé avec l'équipement.
- Si la batterie est très chaude, vous devez retirer votre batterie du chargeur et la laisser refroidir avant de la recharger.
- La batterie de votre nouvel outil n'est pas chargée d'usine. Elle doit donc être complètement chargée avant la première utilisation.
- Veuillez recharger la batterie complètement ou au moins à plus de la moitié avant son stockage. Si l'outil ne va pas être utilisé pendant de longues périodes de temps, veuillez charger la batterie tous les 3-6 mois.

RETIRER OU INSTALLER LE BLOC-BATTERIE SUR LE CHARGEUR (VOIR FIG. A1)

Faites glisser la batterie dans le port de batterie du chargeur. Une simple poussée et une légère pression sera suffisante. Appuyez sur la batterie relâchez fermement le bouton d'abord, puis faites glisser la batterie du chargeur.

PROCÉDURE DE RECHARGE

- Branchez le chargeur dans une prise adéquate. Le Lumière est vert.
- Introduisez la batterie dans le chargeur. Le Lumière passe au rouge pour indiquer que le processus de charge a démarré.
- Une fois la charge terminée, Le Lumière repasse au vert. La batterie est désormais rechargée, vous pouvez débrancher le chargeur et en sortir la batterie.

INDICATEUR DE CHARGE

Ce chargeur est conçu pour détecter certains problèmes pouvant toucher les batteries. Les voyants servent à indiquer les problèmes (voir le tableau ci-dessous). Si cela se produit, insérez une batterie neuve pour déterminer si le problème ne vient pas du chargeur. Si la batterie neuve se recharge correctement, cela indique que la batterie d'origine est défectueuse et doit être rapportée dans un centre de réparation ou de recyclage. Si la batterie neuve rencontre le même problème que la batterie d'origine, faites tester le chargeur par un centre de réparation agréé.

Lumière	Etat
Rouge ●	Charge en cours
Vert ●	Complètement chargée



AVERTISSEMENT: Lorsque la charge de la batterie diminue après utilisation continue ou exposition à la

lumière directe du soleil ou à la chaleur, laissez le temps à la batterie de refroidir avant de la recharger pour atteindre la pleine capacité.

VÉRIFICATION DE L'ÉTAT D'ALIMENTATION DU BLOC-BATTERIE (VOIR FIG. A2)

Le niveau de la batterie peut être connu à partir du voyant de la batterie en appuyant sur le bouton à côté des lumières.

2. ENLEVER OU INSTALLER LA BATTERIE (VOIR FIG. A3, A4)

Enfonchez la languette du bloc de batterie pour le dégager et faites-le glisser hors de votre perceuse. Après la recharge, faites-le glisser en place sur votre perceuse. Un simple coulissement et une légère pression seront suffisants.

FONCTIONNEMENT

1. INSTALLATION OU DÉMONTAGE DE LA DOUILLE SUR LE PORTE-OUTIL (NON FOURNI) (VOIR FIG. B)

Pour installer la douille, insérez la douille sur le porte-outil. Pour retirer la douille, tirez la douille hors du porte-outil.



AVERTISSEMENT : Inspectez soigneusement les porte-outils et la douille avant d'utiliser l'outil. Les articles manquants ou endommagés doivent être remplacés. Assurez-vous que l'interrupteur est verrouillé ou retirez la batterie avant de changer d'accessoire.

2. INTERRUPTEUR MARCHE / ARRÊT (VOIR FIG. C)

Appuyez sur l'interrupteur marche/arrêt pour démarrer et relâchez-le pour arrêter votre outil.

L'interrupteur marche/arrêt est équipé d'une fonction de freinage qui arrête votre mandrin immédiatement lorsque vous relâchez rapidement l'interrupteur.

C'est également un interrupteur à vitesse variable qui offre une vitesse et un couple plus élevés avec une pression de déclenchement accrue. La vitesse est contrôlée par la quantité d'enfoncement de la gâchette de l'interrupteur.



AVERTISSEMENT : Inspectez soigneusement les porte-outils et la douille avant d'utiliser l'outil. Les articles manquants ou endommagés doivent être remplacés. Assurez-vous que l'interrupteur est verrouillé ou retirez la batterie avant de changer d'accessoire.

3. VERROUILLAGE DE L'INTERRUPTEUR

L'interrupteur marche/arrêt peut être verrouillé en position OFF. Cela aide à réduire la possibilité de démarrage accidentel lorsqu'il n'est pas utilisé. Pour verrouiller l'interrupteur marche/arrêt, placez le sélecteur de sens de rotation en position centrale.

4. RÉVERSIBLE (VOIR FIG. D1, D2)

Pour une rotation vers l'avant (avec le mandrin pointé loin de vous), déplacez la commande de rotation vers la gauche.

Pour une rotation inverse (avec le mandrin pointé loin de vous), déplacez la commande de rotation vers la droite.



AVERTISSEMENT: Ne changez jamais le sens de rotation lorsque le mandrin tourne, attendez qu'il s'arrête !

5. UTILISATION DE LA LUMIÈRE LED (VOIR FIG. E)

Pour allumer la lumière, appuyez simplement sur l'interrupteur marche/arrêt. Lorsque vous relâchez l'interrupteur marche/arrêt, la lumière s'éteint.

L'éclairage LED augmente la visibilité dans les zones sombres ou fermées.

6. 3 VITESSES VARIABLES (VOIR FIG. E)

Appuyez sur le bouton rouge pour sélectionner la vitesse de rotation préférée, niveaux 1 à 3, 3 étant le plus rapide. La vitesse de fonctionnement s'allume.

7. UTILISATION DU CLIP DE CEINTURE (VOIR FIG. F1, F2)

Visser le clip ceinture sur l'outil avec la vis fournie dans le sachet plastique. Le clip de ceinture peut être clipsé sur votre ceinture ou votre poche, etc.

8. PROTECTION CONTRE LES SURCHARGES

En cas de surcharge, le moteur s'arrête. Soulager immédiatement la charge de la machine et laisser refroidir pendant env. 30 secondes à la vitesse à vide la plus élevée.

9. PROTECTION CONTRE LES SURCHARGES EN FONCTION DE LA TEMPÉRATURE

Lors de l'utilisation conforme à l'usage prévu, l'outil électrique ne peut pas être soumis à une surcharge. Lorsque la charge est trop élevée ou que la température de batterie autorisée de 75 °C est dépassée, la commande électronique éteint l'outil électrique jusqu'à ce que la température se situe à nouveau dans la plage de température optimale.

10. PROTECTION CONTRE LES DÉCHARGES PROFONDES

La batterie Li-ion est protégée contre les décharges profondes par le « système de protection contre les décharges ». Lorsque la batterie est vide, la machine est éteinte au moyen d'un circuit de protection : L'outil inséré ne tourne plus.

RÉSOLUTION DES PROBLÈMES

1. RAISONS DES DIFFÉRENTS TEMPS DE FONCTIONNEMENT DU BLOC-BATTERIE

Les problèmes de temps de charge et le fait de ne pas avoir utilisé une batterie pendant une période prolongée réduiront le temps de fonctionnement de la batterie. Cela peut être corrigé après plusieurs opérations de charge et de décharge en chargeant et en travaillant avec votre chauffeuse. Des conditions de travail difficiles telles que de grosses vis dans du bois dur épuiseront l'énergie de la batterie plus rapidement que des conditions de travail plus légères. Ne rechargez pas votre batterie en dessous de 0°C et au-dessus de 45°C car cela affectera les performances.

2. POURQUOI L'OUTIL NE S'ALLUME-T-IL PAS LORSQUE VOUS APPUYEZ SUR L'INTERRUPTEUR ?

La commande de rotation avant/arrière, qui se trouve au-dessus de la gâchette, est positionnée dans la fonction de verrouillage. Déverrouillez la commande de rotation avant/arrière en la mettant dans la position de rotation requise. Appuyez sur la gâchette et l'outil commencera à tourner.

ENTRETIEN

Retirer la batterie de la scie avant tout ajustement, entretien ou intervention sur la machine.

L'outil motorisé ne requiert pas de graissage ou d'entretien particulier. Il n'y a pas de pièces réparables par l'utilisateur dans cet outil. Ne jamais utiliser d'eau ou de nettoyeurs chimiques pour nettoyer l'outil. Nettoyer avec un chiffon sec. Toujours conserver l'outil motorisé dans un endroit sec. Maintenir les fentes de ventilation du moteur propres. Empêcher que les commandes de

marche soient couvertes de sciure. Il est normal que des étincelles soient visibles dans les fentes de ventilation, cela n'endommagera pas l'outil motorisé.

Pour les outils à batterie

La plage de température ambiante pour l'utilisation et le stockage de l'outil et de la batterie est de 0 °C à 45 °C.

La plage de température ambiante recommandée pour le système de recharge au cours de la charge est de 0 °C à 40 °C.

PROTECTION DE L'ENVIRONNEMENT



Les déchets d'équipements électriques et électroniques ne doivent pas être déposés avec les ordures ménagères. Ils sont collectés pour être recyclés dans des centres spécialisés. Consultez les autorités locales ou votre revendeur pour obtenir des renseignements sur l'organisation de la collecte.

DÉCLARATION DE CONFORMITÉ

Nous,
POSITEC Germany GmbH
Postfach 32 02 16, 50796 Cologne, Germany

Déclarons que ce produit,
Description **Clé à batterie**
Modèle **WS2407 WS2407.9 (24-désignation des machines, représentatives de la clé à chocs sans fil)**
Fonction **Serrage et desserrage des vis, écrous**

Est conforme aux directives suivantes,
2006/42/EC
2011/65/EU & (EU)2015/863,
2014/30/EU
2014/35/EU
2006/66/EC & 2013/56/EU

Et conforme aux normes,
EN 55014-1, EN 55014-2, EN 62841-1, EN 62841-2-2
EN 60335-1, EN 60335-2-29, EN 62233,
EN IEC 61000-3-2, EN 61000-3-3, EN 62133-2

La personne autorisée à compiler le dossier technique,
Nom **Marcel Filz**
Adresse **POSITEC Germany GmbH**
Postfach 32 02 16, 50796 Cologne, Germany



2023/04/04
Allen Ding
Ingénieur en chef adjoint, Essais & Certification
Positec Technology (China) Co., Ltd
18, Dongwang Road, Suzhou Industrial
Park, Jiangsu 215123, P. R. China




ELENCO DEI COMPONENTI

1. Controllo rotazione avanti/indietro
2. Interruttore acceso/spento
3. Impugnatura morbida
4. Clip da cintura
5. Batteria*
6. Pulsante di rilascio della batteria*
7. Luce LED
8. Pulsante di controllo variabile a 3 velocità
9. Portautensili

* Accessori illustrati o descritti non fanno necessariamente parte del volume di consegna.

DATI TECNICI

Tipo WS2407 WS2407.9 (24-designazione del macchinario, rappresentativo dell'avvitatore a percussione a batteria)

Tensione nominale	WS2407	WS2407.9
Velocità nominale a vuoto	18V 	
coppia massima	0-900/2400/3000 /min	
Tasso di impatto	350 N.m	
Dimensione del mandrino	0-1200/3300/4000 bpm	
Peso della macchina	1/2"	
Uscita caricabatterie (WS9969)	1.693 kg	1.043 kg
Ingresso caricabatterie (WS9969)	20 V  2.0 A	/
Classe di protezione del caricabatterie	100-240 V~50/60 Hz, 55W	/
Capacità della batteria (WS9940)	 /II	/
Tempo di carica	4.0Ah	/
Tempo di carica	2hr	/

INFORMAZIONI SUL RUMORE

Pressione acustica ponderata A

Potenza acustica ponderata A

K_{PA} & K_{WA}

Indossare protezione per le orecchie.

$L_{PA} = 83.6$ dB(A)

$L_{WA} = 94.6$ dB(A)

3 dB(A)

INFORMAZIONI SULLA VIBRAZIONE

I valori totali di vibrazione (somma vettoriale triassiale) sono determinati secondo lo standard EN 62841:

Valore emissione vibrazioni $a_{h,b} = 7,446 \text{ m/s}^2$

Incertezza $K = 1.5 \text{ m/s}^2$

Il valore totale di emissione di vibrazioni dichiarato e il valore di emissioni sonore dichiarati sono stati misurati in base a un metodo di collaudo standard e possono essere utilizzati per il confronto di un utensile con un altro.

Il valore totale di emissione di vibrazioni dichiarato e il valore di emissioni sonore dichiarato possono anche essere utilizzati in una valutazione preliminare dell'esposizione.



AVVERTENZA: le emissioni di vibrazioni e sonore durante l'uso effettivo dell'elettro utensile possono differire dal valore dichiarato in base alle modalità con cui esso viene utilizzato. In particolare quale tipo di pezzo viene lavorato dipende dai seguenti fattori e da altre variazioni sulle modalità di utilizzo dell'elettro utensile:

Come viene usato l'elettro utensile e quali sono i materiali tagliati o forati.

Le condizioni e la buona manutenzione dell'elettro utensile.

L'uso dell'accessorio corretto per il taglio e la sua affilatura, nonché le sue buone condizioni.

La tenuta della presa sulle impugnature e se vengono utilizzati eventuali accessori antivibrazioni e antirumore.

L'adeguatezza dell'utilizzo dell'elettro utensile rispetto a quanto previsto.

Questo elettro utensile potrebbe causare l'insorgenza della sindrome della vibrazione dell'avambraccio se il suo utilizzo non viene gestito correttamente.



AVVERTENZA: per essere precisi, una stima del livello di esposizione nelle attuali condizioni di utilizzo dovrebbe anche tenere conto di tutte le parti del ciclo operativo, come le volte in cui lo strumento viene spento e il tempo in cui viene lasciato girare a vuoto senza realmente fare il suo lavoro. Questo potrebbe ridurre significativamente il livello di esposizione sul periodo di lavoro totale.

Aiuto a minimizzare il rischio di esposizione alle vibrazioni e al rumore.

Usare sempre scalpelli, trapani e lame affilati.

Conservare questo elettro utensile sempre in conformità a queste istruzioni e mantenerlo ben lubrificato (dove appropriato).

Se l'utensile deve essere utilizzato regolarmente, investire in accessori antivibrazioni e antirumore.

Pianificare il lavoro in modo da suddividere i lavori che implicano le maggiori vibrazioni nell'arco di più giorni.

ACCESSORI

	WS2407	WS2407.9
Caricabatterie (WS9969)	1	/
Batteria (WS9940)	1	/
Presa(17/19/21)	3	3
Clip da cintura	1	1

Si raccomanda di acquistare tutti gli accessori nello stesso negozio in cui è stato acquistato l'attrezzo. Fare riferimento alla confezione dell'accessorio per altri dettagli. Il personale del negozio può aiutarvi e consigliarvi.

SICUREZZA DEL PRODOTTO

AVVISI GENERALI PER LA SICUREZZA DEGLI UTENSILI A MOTORE



AVVERTENZA: Leggere tutte le avvertenze di sicurezza, le istruzioni, le illustrazioni e le specifiche fornite con questo elettroutensile. La mancata osservanza delle istruzioni elencate di seguito potrebbe provocare una scossa elettrica, un incendio e/o lesioni gravi.

Conservare tutti gli avvisi e le istruzioni per poterli consultare quando necessario.

Il termine «elettrodomestico elettrico» utilizzato di seguito in questo manuale si riferisce a utensili elettrici alimentati dalla rete (con linea di allacciamento), oltre che ad utensili elettrici alimentati a batteria (senza linea di allacciamento).

1. POSTO DI LAVORO

- a) **Mantenere pulito e ordinato il posto di lavoro.** Il disordine e le zone di lavoro non illuminate possono essere fonte di incidenti.
- b) **Evitare d'impiegare l'utensile in ambienti soggetti al rischio di esplosioni nei quali siano presenti liquidi, gas o polveri infiammabili.** Gli utensili elettrici producono scintille che possono incendiare polveri e gas.
- c) **Mantenere lontani i bambini e altre persone durante l'impiego dell'utensile elettrico.** Eventuali distrazioni potranno comportare la perdita di controllo sull'utensile.

2. SICUREZZA ELETTRICA

- a) **La spina elettrica dovrà essere adatta alla presa di corrente.** Evitare assolutamente di apportare modifiche alla spina. Non impiegare spine adattatrici assieme a utensili con collegamento a terra. Le spine non modificate e le prese adatte allo scopo riducono il rischio di scosse elettriche.
- b) **Evitare il contatto fisico con superfici collegate a terra, come tubi, apparecchiature per il riscaldamento, cucine elettriche e frigoriferi.** Nel momento in cui il corpo è messo a massa sussiste un maggior rischio di scosse elettriche.
- c) **Custodire l'utensile al riparo dalla pioggia o dall'umidità.** L'eventuale infiltrazione di acqua in un elettroutensile comporta un aumento del rischio d'insorgenza di scosse elettriche.
- d) **Non usare il cavo di alimentazione per scopi diversi da quelli previsti, al fine di trasportare o appendere l'elettrodomestico, oppure per staccare la spina dalla presa di corrente.** Mantenere l'elettrodomestico al riparo da fonti di calore, olio, spigoli o parti di strumenti in movimento. I cavi danneggiati o aggrovigliati aumentano il rischio d'insorgenza di scosse elettriche.
- e) **Qualora si voglia usare l'utensile all'aperto, impiegare solo ed esclusivamente cavi di prolunga omologati per l'impiego all'esterno.** L'uso di un cavo di prolunga omologato per l'impiego all'esterno riduce il rischio d'insorgenza di scosse elettriche.
- f) **Se si deve utilizzare l'elettrodomestico in un luogo umido, utilizzare una fonte di alimentazione dotata di interruttore differenziale.** L'uso di un interruttore differenziale riduce il rischio di folgorazioni elettriche.

3. SICUREZZA DELLE PERSONE

- a) **È importante concentrarsi su ciò che si sta facendo e maneggiare con giudizio l'elettrodomestico mentre si lavora.** Non utilizzare l'elettrodomestico quando si è stanchi o sotto

l'effetto di alcol, stupefacenti e medicinali. Un attimo di distrazione durante l'uso dell'elettrodomestico potrebbe causare lesioni gravi.

- b) **Indossare sempre dispositivi di protezione individuale, e guanti protettivi.** Se si avrà cura d'indossare equipaggiamento protettivo individuale come una maschera antipolvere, calzature antiscivolo di sicurezza, elmetto o dispositivi di protezione acustica, a seconda dell'impiego previsto per l'elettrodomestico, si potrà ridurre il rischio di lesioni.
- c) **Evitare l'avviamento involontario. Controllare che l'interruttore sia nella posizione di spegnimento (off) prima di effettuare il collegamento a una fonte di alimentazione/batteria e prima di sollevare o trasportare l'elettrodomestico.** Il fatto di tenere il dito sopra all'interruttore o di collegare l'utensile acceso all'alimentazione di corrente potrebbe essere causa di incidenti.
- d) **Togliere gli attrezzi di regolazione o la chiave inglese prima di accendere l'elettrodomestico.** Un attrezzo o una chiave inglese che si trovino in una parte della macchina che sta girando può causare lesioni a persone.
- e) **È importante non sopravvalutarsi.** Avere cura di mettersi in una posizione sicura e di mantenere l'equilibrio. In tal modo sarà possibile controllare meglio la macchina in situazioni inaspettate.
- f) **Indossare indumenti adeguati.** Evitare di indossare vestiti lenti o gioielli. Tenere i capelli e gli indumenti lontani dalle parti mobili. Vestiti lenti, gioielli o capelli lunghi potrebbero impigliarsi in parti in movimento.
- g) **Se sussiste la possibilità di montare dispositivi di aspirazione o di captazione della polvere, assicurarsi che gli stessi siano stati installati correttamente e vengano utilizzati senza errori.** L'impiego dei suddetti dispositivi diminuisce il pericolo rappresentato dalla polvere.
- h) **Non lasciare che la familiarità acquisita con l'utilizzo frequente dell'elettrodomestico si trasformi in autocompiacimento e trascuratezza dei principi di sicurezza.** Un'azione imprudente può causare lesioni gravi entro una frazione di secondo.

4. MANEGGIO E IMPIEGO ACCURATO DI ELETTROUTENSILI

- a) **Non sovraccaricare l'elettrodomestico.** Impiegare l'elettrodomestico adatto per eseguire il lavoro. Utilizzando l'elettrodomestico elettrico adatto si potrà lavorare meglio e con maggior sicurezza nell'ambito della gamma di potenza indicata.
- b) **Non utilizzare elettroutensili con interruttori difettosi.** Un elettroutensile che non si può più accendere o spegnere è pericoloso e dovrà essere riparato.
- c) **Staccare la spina dalla presa di corrente e/o rimuovere la batteria, se rimovibile, dall'elettrodomestico prima di effettuare qualsiasi regolazione, sostituire gli accessori o riporre gli utensili elettrici.** Tale precauzione eviterà che la macchina possa essere messa in funzione inavvertitamente.
- d) **Custodire gli elettroutensili non utilizzati fuori della portata dei bambini.** Non fare usare l'apparecchio a persone non abituate a farlo o che non abbiano letto le presenti istruzioni. Gli elettroutensili sono pericolosi se utilizzati da persone inesperte.
- e) **Eseguire la manutenzione di elettroutensile e accessori.** Verificare che le parti mobili dell'elettrodomestico funzionino perfettamente e non s'incepiscono, che non ci siano pezzi rotti o danneggiati al punto tale da limitare la funzione della macchina stessa. Far riparare le parti danneggiate prima di utilizzare l'elettrodomestico. Numerosi incidenti vengono causati

da elettrotensili la cui manutenzione è stata effettuata in modo poco accurato.

- f) **Mantenere affilati e puliti gli utensili da taglio.** *Gli utensili da taglio curati con particolare attenzione e con taglienti affilati s'inceppano meno di frequente e sono più facili da condurre.*
- g) **Utilizzare elettrotensili, accessori, attrezzi, ecc. in conformità con le presenti istruzioni e secondo quanto previsto per questo tipo specifico di macchina.** *Osservare le condizioni di lavoro e il lavoro da eseguire durante l'impiego. L'impiego di elettrotensili per usi diversi da quelli consentiti potrà dar luogo a situazioni di pericolo.*
- h) **Mantenere le impugnature e le superfici di presa asciutte, pulite e prive di olio e grasso.** *Le impugnature e le superfici di presa scivolose non permettono l'uso e il controllo sicuri dell'elettrotensile in situazioni impreviste.*

5. MANEGGIO E IMPIEGO ACCURATO DELLE BATTERIE

- a) **Caricare la batteria solo ed esclusivamente con i dispositivi di carica consigliati dal produttore.** *Per un dispositivo di carica previsto per un determinato tipo di batteria, sussiste pericolo di incendio, se utilizzato con una batteria di tipo diverso.*
- b) **Utilizzare negli elettrotensili elettrici solo ed esclusivamente le batterie previste per tale scopo.** *L'uso di batterie di tipo diverso potrebbe dare insorgenza a lesioni a persone e comportare il rischio d'incendi.*
- c) **Tenere la batteria non utilizzata lontano da graffette, monete, chiodi, viti o altri oggetti in metallo di piccole dimensioni che potrebbero causare un ponte tra i contatti.** *Un eventuale cortocircuito tra i contatti della batteria può dare origine a bruciature o ad incendi.*
- d) **In caso di impiego sbagliato, possono verificarsi fuoriuscite di liquido dalla batteria. Evitarne il contatto.** *In caso di contatto casuale, sciacquare con acqua. Qualora il liquido dovesse entrare in contatto con gli occhi, chiedere immediato consiglio a un medico. Il liquido fuoriuscito dalla batteria può causare irritazioni cutanee o bruciature.*
- e) **Non utilizzare una batteria o un elettrotensile danneggiati o modificati.** *Le batterie danneggiate o modificate potrebbero manifestare un comportamento imprevedibile con la possibilità di causare un'esplosione o un incendio.*
- f) **Non esporre una batteria o un utensile al fuoco o a temperature elevate.** *L'esposizione al fuoco o a una temperatura superiore a 130°C potrebbe provocare un'esplosione.*
- g) **Seguire tutte le istruzioni per la carica e non caricare la batteria o l'elettrotensile a una temperatura che non rientri nell'intervallo di valori specificato nelle istruzioni.** *Una ricarica effettuata in maniera scorretta o a una temperatura che non rientra nell'intervallo di valori specificato, potrebbe danneggiare la batteria aumentando il rischio d'incendio.*
- 6) **ASSISTENZA**
 - a) **Fare riparare l'apparecchio esclusivamente da personale specializzato e solo impiegando pezzi di ricambio originali.** *In tal modo potrà essere salvaguardata la sicurezza dell'apparecchio.*
 - b) **Non riparare le batterie danneggiate.** *Gli interventi di riparazione sulle batterie devono essere eseguiti dal costruttore o da fornitori di assistenza autorizzati.*


AVVISO DI SICUREZZA DEL CACCIAVITE

- 1. **Tenere l'utensile elettrico dalle superfici di presa isolate, quando si esegue un'operazione in cui il dispositivo di fissaggio può entrare in contatto con cavi nascosti.** *Gli elementi di fissaggio che entrano in contatto con un filo "sotto tensione" possono mettere "sotto tensione" le parti metalliche esposte dell'utensile elettrico e provocare una scossa elettrica all'operatore.*

ISTRUZIONI PER LA SICUREZZA DEL PACCO BATTERIA

- a) **Non smontare, aprire o strappare le cellule secondarie o il pacco batteria.**
- b) **Non cortocircuitare un pacco batteria. Non conservare un pacco batteria disordinatamente in una scatola o un cassetto in cui potrebbero cortocircuitarsi tra essi o essere cortocircuitati da altri oggetti metallici.** *Quando il pacco batteria non è in uso, tenerlo lontano da altri oggetti metallici come graffette, monete, chiodi, viti e altri piccoli oggetti metallici, potrebbe averarsi un collegamento tra i due terminali. Collegare i terminali della batteria potrebbe causare incendi o ustioni.*
- c) **Non esporre il pacco batteria a calore o fuoco.** *Evitare di conservarli alla luce diretta del sole.*
- d) **Non sottoporre il pacco batteria a scosse meccaniche.**
- e) **In caso di perdite da una cellula, evitare che il liquido entri in contatto con la pelle o gli occhi.** *In caso di contatto, lavare l'area interessata con abbondante acqua e consultare un medico.*
- f) **Tenere le cellule e il pacco batteria puliti e asciutti.**
- g) **Pulire i terminali delle cellule e del pacco batteria con un panno pulito e asciutto nel caso in cui si sporchino.**
- h) **Il pacco batteria deve essere caricato prima dell'uso.** *Utilizzare sempre il caricatore corretto e consultare le istruzioni.*
- i) **Non lasciare un pacco batteria in carica se non in uso.**
- j) **Dopo lunghi periodi di conservazione, potrebbe essere necessario caricare e scaricare le cellule o il pacco batteria diverse volte per ottenere le massime prestazioni.**
- k) **Ricaricare solo con il caricatore specificato da WESCO.** *Non utilizzare caricatori diversi da quelli forniti per l'uso specifico con l'apparecchiatura.*
- l) **Non utilizzare un pacco batteria non progettato per l'uso con l'apparecchiatura.**
- m) **Tenere il pacco batteria fuori dalla portata dei bambini.**
- n) **Conservare i documenti originali del prodotto per riferimenti futuri.**
- o) **Rimuovere la batteria dall'apparecchiatura, se non in uso.**
- p) **Smaltire adeguatamente.**
- q) **Non mischiare batterie di diverse marche, capacità, dimensioni o tipologia nello stesso dispositivo.**
- r) **Protégez les batteries des micro-ondes et des hautes pressions.**
- s) **Attenzione! Non utilizzare batterie non ricaricabili.**

ISTRUZIONI GENERALI DI SICUREZZA

 **AVVERTENZA:** Leggere tutte le avvertenze per la sicurezza e tutte le istruzioni. Eventuali errori nell'adempimento delle istruzioni qui di seguito riportate potranno causare scosse elettriche, incendi e/o lesioni gravi.

Conservare tutti gli avvisi e le istruzioni per poterle consultare quando necessario.

L'apparecchio può essere usato da bambini da 8 anni in su e persone con ridotte capacità fisiche, sensoriali o mentali, o con mancanza di esperienza e conoscenza, se sono sotto la supervisione o seguono le istruzioni sull'uso dell'apparecchio in modo sicuro e comprendono i possibili rischi. I bambini non devono giocare con l'apparecchio. La pulizia e la manutenzione non devono essere fatte dai bambini senza supervisione.

Se il cavo d'alimentazione è danneggiato, deve essere sostituito dal produttore, il suo distributore o persona egualmente qualificata per evitare pericoli.

ALTRE ISTRUZIONI PER LA SICUREZZA DEL CARICABATTERIE

1. Prima di effettuare la carica delle batterie leggere le istruzioni.
2. Non caricare batterie con perdita di elettroliti.
3. Non utilizzare caricatori per operazioni diversi da quelli per i quali sono stati realizzati.
4. Collegare il caricatore solo ad alimentazione CA.
5. Solo uso interno, non esporre alla pioggia o all'acqua.
6. Il caricatore deve essere protetto dall'umidità.
7. Non usare il caricatore all'esterno.
8. Non cortocircuitare i contatti della batteria o del caricatore.
9. Rispettare la polarità "+/-" durante la ricarica.
10. Non aprire l'apparecchiatura. Tenerla fuori dalla portata dei bambini.
11. Non ricaricare le batterie di altri costruttori.
12. Verificare che il collegamento tra caricabatteria e la batteria sia posizionato in modo corretto, e che non ci siano corpi estranei.
13. Evitare che le aperture di ventilazione del caricabatteria siano ostruite da oggetti. Proteggere la macchina da polvere e umidità. Riporre il caricabatteria in un luogo asciutto e temperato.
14. Durante la ricarica delle batterie, verificare che il caricabatteria si trovi in un'area ben ventilata e distante da materiali infiammabili. Le batterie possono scaldarsi durante la ricarica. Non lasciare incustoditi batterie e caricatori durante la ricarica.
15. Non ricaricare batterie che non siano ricaricabili, perché potrebbero surriscaldarsi ed esplodere.
16. Una maggior durata nel tempo e prestazioni migliori possono essere ottenute se le batterie vengono caricate a una temperatura dell'aria compresa tra i 18 °C e i 24°C. Non caricare le batterie a temperature inferiori a 0°C o superiori a 40°C. Questo dettaglio è importante in quanto può evitare danni seri alle batterie.
17. Caricare solo pacchi batterie del modello fornito o raccomandato da WESCO.

SIMBOLI



Per ridurre il rischio di lesioni, l'utente deve leggere il manuale di istruzioni.



Attenzione



Indossare protezione per le orecchie



Indossare protezione per gli occhi



Indossare una mascherina antipolvere



Solo uso interno (Caricabatteria)



Leggere il manuale



Se smaltite in maniera scorretta, le batterie potrebbero entrare nel ciclo dell'acqua, con conseguenti rischi per l'ambiente. Non smaltire le batterie esaurite nei rifiuti generici.



Non bruciare



Terminale positivo



Terminale negativo



Batteria agli ioni di litio (Li-Ion). Questo prodotto è stato contrassegnato con un simbolo riguardante la raccolta differenziata per tutti i pacchi batteria. La batteria sarà poi riciclata o demolita allo scopo di ridurre l'impatto ambientale. I pacchi batteria possono costituire un pericolo per l'ambiente e per la salute umana in quanto contengono sostanze pericolose.



I prodotti elettrici non possono essere gettati tra i rifiuti domestici. L'apparecchio da rottamare deve essere portato al centro di riciclaggio per un corretto trattamento. Controllare con le autorità locali o con il rivenditore per localizzare il centro di riciclaggio più vicino.



Double isolation (Caricabatteria)



ISTRUZIONI DI FUNZIONAMENTO



NOTA: Leggere scrupolosamente il manuale delle istruzioni prima di usare l'attrezzo.

USO CONFORME ALLE NORME

Questo strumento è destinato al fissaggio e all'allentamento di bulloni, dadi e vari elementi di fissaggio filettati. Questo strumento non è destinato all'uso come trapano.

PRIMA DEL FUNZIONAMENTO

1. CARICARE LA BATTERIA

- a) Non utilizzare i caricabatterie diversi da quelli specificatamente designati per l'utensile.
- b) Se il pacco batteria è molto caldo, dovere rimuovere il pacco batteria dal caricabatterie e attendere che la batteria si raffreddi prima di ricaricarla.
- c) La batteria del nuovo utensile non viene caricata quando lascia l'impianto. Pertanto deve essere completamente carico prima di utilizzare la prima volta.
- d) Caricare la batteria per raggiungere la carica completa prima della conservazione. Se non si utilizza l'utensile a lungo, caricare la batteria ogni 3-6 mesi.

RIMOZIONE O INSTALLAZIONE DEL PACCO BATTERIA SUL CARICABATTERIA (VEDI FIG. A1)

Far scorrere la batteria nella porta della batteria del caricabatterie. Una semplice spinta è sarà sufficiente una leggera pressione. Premere il pacco batteria pulsante di rilascio saldamente prima e poi far scorrere il pacco batteria verso l'esterno dal caricatore.

PROCEDURA DI RICARICA

- 1) Collegare il caricabatteria a una presa di corrente appropriata. L'indicatore diventerà verde.
- 2) Fare scorrere il gruppo batteria nel caricabatteria; l'indicatore diventerà rosso, a indicare che il processo di ricarica è in corso.
- 3) Quando la ricarica è terminata, l'indicatore diventerà verde. Il gruppo batteria è ora completamente carico; scollegare il caricabatteria e rimuovere il gruppo batteria.

INDICATORE DI CARICA

Questo caricabatteria è progettato per rilevare eventuali problemi del gruppo batteria, segnalati dalle spie (v. tabella sottostante). In tal caso, inserire un nuovo gruppo batteria per determinare se il caricabatteria è in buono stato. Se il nuovo gruppo batteria si ricarica correttamente, allora il gruppo caricabatteria originale è difettoso e deve essere portato presso un centro di assistenza o di riciclaggio. Se il nuovo gruppo batteria riporta lo stesso problema del gruppo batteria originale, fare ispezionare il caricabatteria presso un centro di assistenza autorizzato.

Spia	Stato
Rossa accesa	Ricarica in corso
Verde accesa	Ricarica completa



ATTENZIONE: Se la batteria viene caricata dopo un uso prolungato o dopo l'esposizione diretta alla luce solare o al calore, lasciare del tempo affinché la batteria si raffreddi prima della ricarica per ottenere la carica completa.

CONTROLLO DELLO STATO DI ALIMENTAZIONE DEL PACCO BATTERIA (VEDI FIG. A2)

Il livello della batteria può essere conosciuto dalla spia della batteria premendo il pulsante accanto alle luci.

2. RIMOZIONE E INSTALLAZIONE DELL'UNITÀ BATTERIA (VEDERE FIGURA. A3, A4)

Premere il rilascio del pacco batteria per rimuoverlo dal trapano. Dopo la ricarica far scorrere la batteria attraverso la porta della batteria del trapano. Sarà sufficiente una leggera pressione.

FUNZIONAMENTO

1. INSTALLAZIONE O RIMOZIONE DELLA BUSSOLA SUL PORTAUTENSILI (NON FORNITO) (VEDI FIG. B)

Per installare la presa, inserire la presa nel portautensili. Per rimuovere la presa, estrarre la presa dal portautensili.



Attenzione: Ispezionare attentamente i portautensili e la presa prima di utilizzare l'utensile. Gli articoli mancanti o danneggiati devono essere sostituiti. Assicurarsi che l'interruttore sia bloccato o rimuovere la batteria prima di sostituire gli accessori.

2. INTERRUOTTORE ON/OFF (VEDI FIG. C)

Premere l'interruttore on/off per avviare e rilasciarlo per arrestare l'utensile.

L'interruttore on/off è dotato di una funzione freno che arresta immediatamente il mandrino quando si rilascia rapidamente l'interruttore.

È anche un interruttore a velocità variabile che fornisce velocità e coppia più elevate con una maggiore pressione del grilletto. La velocità è controllata dalla quantità di depressione del grilletto dell'interruttore.



Attenzione: Ispezionare attentamente i portautensili e la presa prima di utilizzare l'utensile. Gli articoli mancanti o danneggiati devono essere sostituiti. Assicurarsi che l'interruttore sia bloccato o rimuovere la batteria prima di sostituire gli accessori.

3. BLOCCO INTERRUOTTORE

L'interruttore on/off può essere bloccato in posizione OFF. Questo aiuta a ridurre la possibilità di avviamento accidentale quando non in uso. Per bloccare l'interruttore on/off, posizionare il selettore del senso di rotazione in posizione centrale.

4. REVERSIBILE (VEDI FIG. D1, D2)

Per la rotazione in avanti, (con il mandrino puntato lontano da te) sposta il controllo di rotazione verso sinistra.

Per la rotazione inversa, (con il mandrino puntato lontano da te) sposta il controllo di rotazione verso destra.



Attenzione: Non cambiare mai il senso di rotazione mentre il mandrino è in rotazione, attendere che si sia fermato!

5. UTILIZZO DELLA LUCE LED (VEDI FIG. E)

Per accendere la luce è sufficiente premere l'interruttore on/off. Quando si rilascia l'interruttore on/off, la luce si spegne.

L'illuminazione a LED aumenta la visibilità in aree buie o chiuse.

6. 3 VELOCITÀ VARIABILI (VEDI FIG. E)

Premere il pulsante rosso per selezionare la velocità di rotazione preferita, livelli da 1 a 3, dove 3 è la più veloce. La velocità operativa sarà illuminata.

7. UTILIZZO DELLA CLIP DA CINTURA (VEDI FIG. F1, F2)

Avvitare la clip da cintura sull'attrezzo con la vite fornita nella busta di plastica. La clip da cintura può essere agganciata alla cintura o alla tasca, ecc.

8. PROTEZIONE DA SOVRACCARICO

In caso di sovraccarico, il motore si ferma. Alleggerire immediatamente la macchina e lasciar raffreddare per ca. 30 secondi alla massima velocità a vuoto.

9. PROTEZIONE DA SOVRACCARICO DIPENDENTE DALLA TEMPERATURA

Quando si utilizza come previsto per l'utensile elettrico non può essere soggetto a sovraccarico. Quando il carico è troppo elevato o viene superata la temperatura consentita della batteria di 75°C, il controllo elettronico spegne l'elettrotensile fino a quando la temperatura non rientra nuovamente nell'intervallo di temperatura ottimale.

10. PROTEZIONE CONTRO SCARICA PROFONDA

La batteria agli ioni di litio è protetta contro lo scaricamento completo dal "Sistema di protezione dallo scaricamento". Quando la batteria è scarica, la macchina viene spenta tramite un circuito di protezione: l'utensile inserito non ruota più.

SOLUZIONE DI PROBLEMI

1. MOTIVI PER DIVERSI TEMPI DI FUNZIONAMENTO DEL PACCO BATTERIA

I problemi relativi al tempo di ricarica e il mancato utilizzo di un pacco batteria per un tempo prolungato ridurranno il tempo di funzionamento del pacco batteria. Questo può essere corretto dopo diverse operazioni di carica e scarica caricando e lavorando con il driver. Condizioni di lavoro gravose, come viti di grandi dimensioni nel legno duro, consumeranno l'energia del pacco batteria più velocemente rispetto a condizioni di lavoro più leggere. Non ricaricare la batteria al di sotto di °C e al di sopra di 45°C poiché ciò influirà sulle prestazioni.

2. PERCHÉ LO STRUMENTO NON SI ACCENDE QUANDO SI PREME L'INTERRUTTORE?

Il controllo di rotazione avanti/indietro, che si trova sopra il grilletto, è posizionato nella funzione di blocco. Sbloccare il comando di rotazione avanti/indietro mettendolo nella posizione di rotazione richiesta. Premi il grilletto e lo strumento inizierà a ruotare.

MANUTENZIONE

Togliere l'unità batteria dal trapano a percussione prima di procedere con eventuali interventi.

L'attrezzo non richiede di lubrificazione o manutenzione aggiuntiva. All'interno dell'attrezzo non ci sono parti riparabili da parte dell'utente. Non usare mai acqua o detergenti chimici per pulire l'attrezzo. Pulire con un panno asciutto. Immagazzinare sempre

gli attrezzi elettrici in luoghi asciutti. Tenere pulite le aperture di ventilazione del motore. Tenere puliti dalla polvere tutti i controlli operativi. La formazione di scintille all'interno delle aperture di ventilazione, è un fenomeno normale che non crea danni all'attrezzo.

Per gli utensili a batteria

La temperatura ambientale raccomandata per l'uso e la conservazione dell'utensile e della batteria è di 0°C-45°C. La temperatura ambientale raccomandata per il caricabatterie durante la carica è di 0°C-40°C.

TUTELA AMBIENTALE



I prodotti elettrici non possono essere gettati tra i rifiuti domestici. L'apparecchio da rottamare deve essere portato al centro di riciclaggio per un corretto trattamento. Controllare con le autorità locali o con il rivenditore per localizzare il centro di riciclaggio più vicino.

DICHIARAZIONE DI CONFORMITÀ

Noi,
POSITEC Germany GmbH
Postfach 32 02 16, 50796 Cologne, Germany

Dichiara che l'apparecchio,
Descrizione **Chiave a batteria**
Codice **WS2407 WS2407.9 (24-designazione del macchinario, rappresentativo dell'avvitatore ad impulsi a batteria)**
Funzione **Serraggio e allentamento di viti, dadi**

È conforme alle seguenti direttive,
2006/42/EC
2011/65/EU & (EU)2015/863,
2014/30/EU
2014/35/EU
2006/66/EC & 2013/56/EU

Conforme a,
EN 55014-1, EN 55014-2, EN 62841-1, EN 62841-2-2
EN 60335-1, EN 60335-2-29, EN 62233,
EN IEC 61000-3-2, EN 61000-3-3, EN 62133-2

Il responsabile autorizzato alla compilazione della documentazione tecnica,

Nome **Marcel Filz**
Indirizzo **POSITEC Germany GmbH**
Postfach 32 02 16, 50796 Cologne, Germany

2023/04/04
Allen Ding
Vice capo ingegnere, testing e certificazione
Positec Technology (China) Co., Ltd
18, Dongwang Road, Suzhou Industrial
Park, Jiangsu 215123, P. R. China






LISTA DE COMPONENTES

1. Control de rotación hacia adelante/hacia atrás
2. Interruptor de encendido/apagado
3. Mango de agarre suave
4. Presilla para el cinturón
5. Paquete de batería*
6. Botón de liberación de la batería*
7. luz LED
8. Botón de control de 3 velocidades variables
9. Portaherramientas

* Los accesorios ilustrados o descritos pueden no corresponder al material suministrado de serie con el aparato.

CARACTERÍSTICAS TÉCNICAS

Tipo WS2407 WS2407.9 (24 designaciones de maquinaria, representante del taladro percutor inalámbrico sin escobillas)

	WS2407	WS2407.9
Tensión nominal	18V 	
Velocidad nominal sin carga	0-900/2400/3000 /min	
Par máximo	350 N.m	
Tasa de impacto	0-1200/3300/4000 bpm	
Tamaño de mandril	1/2"	
Peso de la máquina	1.693 kg	1.043 kg
Salida del cargador (WS9969)	20 V  2.0 A	/
Entrada del cargador (WS9969)	100-240 V~50/60 Hz, 55W	/
Clase de protección del cargador	 /II	/
Capacidad de la batería (WS9940)	4.0Ah	/
Tiempo de carga	2hr	/

INFORMACIÓN SOBRE EL RUIDO

Nivel de presión acústica ponderada

Nivel de potencia acústica ponderada

K_{pA} & K_{WA}

Utilice protección auditiva.

$L_{pA} = 83.6$ dB(A)

$L_{WA} = 94.6$ dB(A)

3 dB(A)

INFORMACIÓN SOBRE LAS VIBRACIONES

Valores totales de vibración (suma vectorial triangular) determinados según la norma EN 62841:

Valor de emisión de vibración $a_{h,0} = 7,446 \text{ m/s}^2$

Incertidumbre $K = 1.5 \text{ m/s}^2$

El valor total de vibraciones declarado y el valor de emisiones acústicas declarado se han medido de conformidad con un método de prueba estándar y pueden utilizarse para realizar comparaciones entre herramientas.

El valor total de vibraciones declarado y el valor de emisiones acústicas declarado también pueden utilizarse en una evaluación preliminar de la exposición.



ADVERTENCIA: Las vibraciones y las emisiones acústicas que se producen durante el uso de la herramienta eléctrica pueden variar respecto a los valores declarados en función de cómo se utilice la herramienta, especialmente dependiendo del tipo de pieza de trabajo que se procese y de otras formas de usar la herramienta:

Cómo se utiliza la herramienta y se cortan o perforan los materiales.

Si la herramienta se encuentra en buenas condiciones de mantenimiento.

Si se utiliza el accesorio correcto para la herramienta y se garantiza que está afilado y en buenas condiciones.

La firmeza de sujeción de las empuñaduras, y el uso de accesorios para reducir las vibraciones y el ruido.

Y si la herramienta se utiliza según su diseño y estas instrucciones.

Esta herramienta podría causar síndrome de vibración del brazo y la mano si no se utiliza correctamente.



ADVERTENCIA: Para conseguir una mayor precisión, debe tenerse en cuenta una estimación del nivel de exposición en condiciones reales de todas las partes del ciclo de uso, como los tiempos durante los que la herramienta está apagado o cuando está en funcionamiento pero no está realizando ningún trabajo. Ello podría reducir notablemente el nivel de exposición sobre el periodo de carga total. Minimización del riesgo de exposición a las vibraciones y el ruido.

Utilice SIEMPRE cinceles, brocas y cuchillas afiladas.

Mantenga esta herramienta de acuerdo con estas instrucciones y bien lubricada (si es necesario).

Si la herramienta se va a utilizar de forma habitual, se recomienda adquirir accesorios para reducir las vibraciones y el ruido.

Planifique su programa de trabajo para distribuir el uso de la herramienta a lo largo de varios días.

ACCESORIOS

	WS2407	WS2407.9
Cargador (WS9969)	1	/
Paquete de batería (WS9940)	1	/
Enchufe (17/19/21)	3	3
Pinza de cinturón	1	1

Recomendamos que adquiera todos sus accesorios en el mismo comercio donde compró la herramienta. Consulte los estuches de los accesorios para más detalles. El personal del comercio también puede ayudar y aconsejar.

SEGURIDAD DEL PRODUCTO

ADVERTENCIAS DE SEGURIDAD GENERALES

SOBRE HERRAMIENTAS ELÉCTRICAS



ADVERTENCIA: Lea todas las advertencias de seguridad, instrucciones, ilustraciones y especificaciones que acompañan a esta herramienta eléctrica. Si no se respetan todas las instrucciones que se indican abajo, podría producirse una descarga eléctrica, un incendio o alguien podría resultar herido de gravedad. Conserve todas las advertencias e instrucciones para futuras consultas.

El término "herramienta eléctrica" en todas las advertencias siguientes corresponde a la herramienta eléctrica con o sin cable.

1) ZONA DE TRABAJO

- a) Mantener su lugar de trabajo limpio y bien iluminado. Bancos de trabajo desordenados y lugares oscuros invitan a los accidentes.
- b) No utilizar herramientas eléctricas en atmósferas explosivas, como por ejemplo en presencia de líquidos inflamables, gases o polvo. Las herramientas eléctricas crean chispas que pueden encender el polvo o los vapores.
- c) Mantener alejados a los niños y visitantes mientras opera una herramienta eléctrica. Las distracciones pueden hacerle perder el control.

2) SEGURIDAD ELÉCTRICA

- a) Los enchufes de la herramienta eléctrica deben encajar perfectamente en el tomacorriente. Nunca modificar el enchufe de ninguna manera. No utilizar adaptadores con herramientas eléctricas conectadas a tierra. Los enchufes no modificados y los que encajan perfectamente en el tomacorriente reducirán el riesgo de descarga eléctrica.
- b) Evitar el contacto del cuerpo con superficies conectadas a tierra tales como caños, radiadores, cocinas y heladeras. Existe un riesgo creciente de descarga eléctrica si su cuerpo queda conectado a tierra.
- c) No exponer las herramientas eléctricas a la lluvia y no guardar en lugares húmedos. El agua que penetra en ellas aumentará el riesgo de una descarga eléctrica.
- d) No abusar del cable. Nunca utilizar el cable para transportar, tirar o desencharar la herramienta eléctrica. Mantener el cable alejado del calor, del aceite, de bordes agudos o piezas móviles. Los cables dañados o enredados aumentan el riesgo de descarga eléctrica.
- e) Cuando utilice su herramienta eléctrica al aire libre, emplear un prolongador apto para uso en exteriores. El empleo de cables para uso al aire libre reduce el riesgo de descarga eléctrica.
- f) Si es necesario utilizar la herramienta motorizada en un lugar muy húmedo, utilice una fuente de alimentación con dispositivo de corriente residual (RCD). El uso de un RCD reduce el riesgo de descarga eléctrica.

3) SEGURIDAD PERSONAL

- a) Mantenerse alerta, poner atención en lo que está haciendo y utilice el sentido común mientras opera una herramienta eléctrica. No emplear la herramienta cuando se encuentre cansado o bajo la influencia de drogas, alcohol o medicación. Un momento de falta de atención durante el manejo de herramientas eléctricas puede dar lugar a daños corporales serios.
- b) Utilizar equipo de seguridad. Usar siempre protección ocular. Equipo de seguridad como máscaras contra el polvo, zapatos antideslizantes de seguridad, sombrero o protección auditiva para condiciones apropiadas reducirá daños corporales.
 - c) Evite el arranque accidental. Asegúrese de que el interruptor se encuentra desactivado antes de enchufar la máquina o colocar la batería, al tomar la herramienta o transportarla. Transportar herramientas con el dedo en el interruptor o enchufar la herramienta cuando el interruptor está encendido invitan a los accidentes.
 - d) Retire llaves de ajuste o llaves inglesas antes de poner la herramienta en funcionamiento. Una llave que queda unida a una pieza móvil de la herramienta puede originar daños corporales.
 - e) No extralimitarse. Mantenerse firme y con buen equilibrio en todo momento. Esto permite un mejor control de la herramienta en situaciones inesperadas.
 - f) Vestirse apropiadamente. No usar ropa suelta ni alhajas. Mantenga el pelo, la ropa y los guantes alejados de las piezas en movimiento. La ropa suelta, las alhajas o el cabello largo pueden ser atrapados por las piezas móviles.
 - g) Si se proporcionan dispositivos para la extracción y recolección de polvo, asegurarse de que estos estén conectados y utilizados correctamente. El uso de estos dispositivos puede reducir peligros relacionados con el polvo.
 - h) No permita que el hecho de estar familiarizado con el uso de herramientas le haga volverse descuidado o ignorar las normas de seguridad. La falta de atención puede provocar heridas graves en una fracción de segundo.

4) MANTENIMIENTO DE LA HERRAMIENTA MOTORIZADA

- a) No forzar la herramienta eléctrica. Utilizar la herramienta eléctrica correcta para su aplicación. La herramienta eléctrica correcta hará el trabajo mejor y más seguro a la velocidad para la cual fue diseñada.
- b) No utilizar la herramienta eléctrica si el interruptor no la enciende o apaga. Cualquier herramienta eléctrica que no pueda ser controlada con el interruptor es peligrosa y debe ser reparada.
- c) Desconecte la clavija de la fuente de alimentación o extraiga la batería (si es desmontable) de la herramienta eléctrica antes de realizar cualquier ajuste, cambiar los accesorios o guardar la herramienta. Tales medidas de seguridad preventivas reducen el riesgo de arranque accidental de la herramienta.
- d) Mantener las herramientas eléctricas que no usa fuera del alcance de los niños y no permita que personas no familiarizadas con la herramienta o con estas instrucciones maneje la herramienta eléctrica. Las herramientas eléctricas son peligrosas en manos de usuarios inexpertos.
- e) Realice un mantenimiento adecuado de las herramientas eléctricas y sus accesorios. Comprobar si hay desalineamiento o atascamiento de piezas móviles, rotura de piezas en general y cualquier otra condición que pueda afectar la operación normal de la herramienta. Si se verifican daños, recurra a un servicio calificado antes de volver a usar la herramienta. Las herramientas mal mantenidas causan muchos accidentes.
- f) Mantener las piezas de corte limpias y afiladas. Puesto que son menos probables de atascarse y más fáciles de controlar.
- g) Utilizar la herramienta eléctrica, accesorios y brocas etc., de acuerdo con estas instrucciones y de la manera

prevista para el tipo particular de herramienta eléctrica, teniendo en cuenta las condiciones de trabajo y el trabajo a ser realizado. El uso de la herramienta eléctrica para otras operaciones distintas de lo previsto podría dar lugar a una situación peligrosa.

- h) **Mantenga las empuñaduras y las superficies de agarre secas, limpias y sin aceite ni grasa.** Una empuñadura o una superficie de agarre resbaladiza dificultan la correcta manipulación y el control de la herramienta en situaciones imprevistas.
- 5) **UTILIZACIÓN Y MANTENIMIENTO DE LA BATERÍA**
- a) **Recargar solamente con el cargador indicado por el fabricante.** Un cargador adaptado a un tipo de batería podría crear un riesgo de incendio si se utiliza con una diferente batería.
- b) **Utilizar las herramientas eléctricas solamente con baterías especialmente adaptadas.** La utilización de cualquier otra batería podría causar un riesgo de incendio o herida.
- c) **Cuando la batería no está en uso, tenerla lejos de los objetos metálicos como los trombones, las piezas de moneda, las llaves, los clavos, los tornillos, o cualquier otro pequeño objeto metálico susceptibles de establecer una conexión de un terminal a otra.** El cortocircuito de un terminal a otra puede causar quemaduras o un incendio.
- d) **Hay una fuga de líquido de la batería. Evitar todo contacto.** Si entre accidentalmente en contacto con este líquido, lavar con agua limpia. En caso de contacto con los ojos, consultar a un médico. El líquido presente en las baterías puede causar irritaciones o quemaduras.
- e) **No utilice una batería o una herramienta que estén dañadas o hayan sido modificadas.** Las baterías dañadas y modificadas pueden comportarse de forma imprevisible y provocar un incendio, una explosión o herir a alguien.
- f) **No arroje una batería o herramienta al fuego ni las exponga a una temperatura excesiva.** La exposición al fuego y a temperaturas superiores a 130 °C puede provocar una explosión.
- g) **Respete todas las instrucciones de carga y no cargue la batería o la herramienta fuera del rango de temperatura especificado en las instrucciones.** Una carga inadecuada o a una temperatura fuera del rango especificado puede ocasionar daños en la batería y aumentar el riesgo de incendio.
- 6) **REPARACIÓN**
- a) **Permitir que el mantenimiento de su herramienta eléctrica sea efectuado por una persona calificada usando solamente piezas de recambio idénticas.** Esto es primordial para mantener la seguridad de la herramienta eléctrica.
- b) **No intente reparar nunca una batería dañada.** Cualquier intervención técnica en una batería debe ser realizada exclusivamente por el fabricante o por un servicio técnico autorizado.

ADVERTENCIA DE SEGURIDAD DEL DESTORNILLADOR

1. Sujete la herramienta eléctrica por las superficies de agarre aisladas cuando realice una operación en la que el sujetador pueda entrar en contacto con cables

ocultos. Los sujetadores que entren en contacto con un cable "vivo" pueden hacer que las partes metálicas expuestas de la herramienta eléctrica estén "vivas" y podrían causar una descarga eléctrica al operador.

ADVERTENCIAS DE SEGURIDAD PARA LA BATERÍA

- a) No desmonte, abra o destruya las pilas o las baterías recargables.
- b) No provoque un cortocircuito en la batería. No almacene las baterías de forma descuidada en una caja o cajón donde podría provocar un cortocircuito entre ellas o mediante otros objetos metálicos. Cuando la batería no esté siendo utilizada, manténgala alejada de objetos metálicos, como clips de papel, monedas, llaves, clavos, tornillos u otros objetos metálicos pequeños, que pueden posibilitar la conexión con el borne con otro. Al provocar un cortocircuito con los bornes de la batería se pueden sufrir quemaduras o generar un incendio.
- c) No exponga las baterías al calor o al fuego. No las guarde expuestas directamente al sol.
- d) No exponga las baterías a impactos mecánicos.
- e) En caso de que la batería tenga fugas de líquido, no permita que el líquido entre en contacto con la piel o los ojos. Si se produce el contacto, lave la zona afectada con grandes cantidades de agua y acuda a un médico.
- f) Mantenga las baterías limpias y secas.
- g) Limpie los bornes de la batería con un paño limpio si se ensucian.
- h) Cargue la batería antes de utilizarla. Consulte siempre estas instrucciones y aplique el procedimiento de carga adecuado.
- i) No deje la batería cargándose durante prolongados períodos de tiempo cuando no se utilice.
- j) Después de prolongados períodos de almacenamiento, puede que sea necesario cargar y descargar la batería varias veces para obtener el máximo rendimiento.
- k) Recargue solo con el cargador indicado por WESCO. No utilice ningún otro cargador que no sea el específicamente proporcionado para el uso con este equipo.
- l) No utilice ninguna batería distinta a la diseñada para utilizarse con el aparato.
- m) Mantenga la batería fuera del alcance de los niños.
- n) Conserve la documentación original del producto por si tuviera que consultarla en otro momento.
- o) Extraiga la batería del aparato cuando no lo utilice.
- p) Deshágase del producto correctamente.
- q) No se deben mezclar pilas de diferentes fabricantes, capacidad, tamaño o tipo en un mismo dispositivo.
- r) Protégez la batterie des micro-ondes et des hautes pressions.
- s) ¡Advertencia! No utilice pilas no recargables.

ADVERTENCIAS DE SEGURIDAD GENERALES PARA CARGADORES



ADVERTENCIA Lea todas las advertencias de seguridad y todas las instrucciones. El incumplimiento

de cualquiera de las instrucciones o las advertencias, puede tener como resultado una descarga eléctrica, un incendio y/o lesiones graves.

Conserve todas las advertencias y las instrucciones para consultarlas en el futuro.

Este dispositivo puede ser utilizado por niños a partir de 8 años y personas con capacidades físicas, sensoriales o mentales reducidas, o falta de experiencia y conocimiento si se les ha proporcionado supervisión o instrucción con referencia al uso de este dispositivo de manera segura y que entiendan los riesgos involucrados.

Los niños no deben jugar con este aparato. La limpieza y mantenimiento de uso no deben ser llevados a cabo por niños sin supervisión de un adulto.

Si el cable de alimentación está dañado, debe ser reemplazado por el fabricante, su service autorizado o personas calificadas, a fin de evitar riesgos.

INSTRUCCIONES DE SEGURIDAD ADICIONALES PARA SU CARGADOR

1. Antes de cargar la batería, lea las instrucciones.
2. No cargue una batería que presente una fuga.
3. No utilice los cargadores para trabajos para los que no se hayan diseñado.
4. Antes de cargar una batería, asegúrese de que su cargador sea el adecuado para el suministro eléctrico de CA local.
5. Para uso en interiores, no exponer a la lluvia.
6. El dispositivo de carga debe estar protegido de la humedad.
7. No utilice el dispositivo de carga al aire libre.
8. No cortocircuite los contactos de la batería ni del cargador.
9. Respete la polaridad "+/-" a la hora de cargar.
10. No abra la unidad y manténgala fuera del alcance de los niños.
11. No cargue las baterías de otros fabricantes o de modelos que no encajen bien.
12. Asegúrese de que la conexión entre el cargador y la batería sea correcta y no esté obstruida por cuerpos extraños.
13. Mantenga las ranuras del cargador libres de objetos extraños y protéjalas de la suciedad y la humedad. Guárdela en un lugar seco y sin riesgo de congelación.
14. A la hora de cargar baterías, asegúrese de que el cargador de batería esté en una zona bien ventilada y lejos de materiales inflamables. Las baterías se pueden calentar durante la carga. No sobrecaliente las baterías. Asegúrese de que las baterías y los cargadores no estén sin supervisión durante la carga.
15. No recargue baterías no recargables, ya que pueden sobrecalentarse y romperse.
16. Para lograr una mayor vida útil y un mejor rendimiento, cargue la batería cuando la temperatura ambiente esté entre 18°C y 24°C. No cargue la batería si la temperatura ambiente es inferior a 0°C, o superior a 40°C. Este factor es importante, ya que puede evitar daños graves a la batería.
17. Cargue exclusivamente el pack de batería del mismo modelo que el suministrado por WESCO y de modelos recomendados por WESCO.

SÍMBOLOS



Para reducir el riesgo de lesión, lea el manual de instrucciones.



Advertencia



Utilice protección auditiva



Utilizar protección ocular



Utilizar una máscara antipolvo



Uso interno solamente (Cargador)



Leer el manual.



Si no se eliminan correctamente, las baterías podrían interferir en el ciclo del agua, una situación que pondría en riesgo el ecosistema. Por este motivo, las baterías no deben eliminarse junto con los residuos municipales sin clasificar.



No quemar



Terminal positivo



Terminal negativo



Batería de iones de litio. Este producto tiene una marca que lo designa para la recogida selectiva, junto con otras pilas y baterías. Una vez recogido, se reciclará o se desmontará con el fin de reducir el impacto en el medioambiente. Las baterías contienen sustancias peligrosas y pueden ser perjudiciales para el medioambiente y para la salud de las personas.



Los residuos de aparatos eléctricos y electrónicos no deben depositarse en la basura doméstica. Se deben reciclar en las instalaciones especializadas. Consulte a las autoridades locales o el establecimiento para saber cómo reciclar estos productos.



Doble aislamiento (Cargador)

INSTRUCCIONES DE FUNCIONAMIENTO



NOTA: Antes de usar la herramienta lea el manual de instrucciones detenidamente.

USO INDICADO

Esta herramienta está diseñada para apretar y aflojar pernos, tuercas y varios sujetadores roscados. Esta herramienta no está diseñada para usarse como taladro.

ANTES DE UTILIZAR

1. CARGAR LA BATERÍA

- No use ningún cargador que no sea el específicamente provisto para usar con el equipo.
- Si la batería está muy caliente, debe retirarla del cargador y dejar que la batería se enfríe antes de recargarla.
- La batería de su nueva herramienta no está cargada cuando sale de la fábrica. Por lo tanto, debe cargar su batería completamente antes de usarlo por primera vez.
- Cargue la batería hasta que esté llena antes de almacenarla. Si la herramienta no se utilizará durante largos periodos de tiempo, cárguela cada 3-6 meses.

EXTRACCIÓN O INSTALACIÓN DEL PAQUETE DE BATERÍAS EN EL CARGADOR (VER FIG. A1)

Deslice el paquete de batería en el puerto de batería del cargador. un simple empujón y una ligera presión será suficiente. Presione el paquete de batería
Primero suelte el botón con firmeza y luego deslice la batería hacia afuera. del cargador.

PROCEDIMIENTO DE CARGA

- Enchufe el cargador en una toma de corriente apropiada. La luz verde se iluminará.
- Inserte el acumulador en el cargador; la luz del testigo pasará a ser de color rojo para indicar que se ha iniciado el proceso de recarga.
- Una vez completada la recarga, la luz del cargador se volverá otra vez de color verde. La batería estará ahora totalmente recargada. Desenchufe el cargador y retire la batería.

INDICADOR DE CARGA

Este cargador está diseñado para detectar algunos problemas en las baterías. Las luces indicadoras le alertarán de algún problema (vea el cuadro más abajo). De ocurrir esto, inserte una batería nueva para determinar si el cargador está funcionando correctamente. Si la nueva batería se carga correctamente significa que la batería original sufre algún defecto y debe devolverse al servicio técnico o a un punto de recogida de artículos reciclables. Si se observan los mismos problemas con la batería nueva, entregue el cargador en un servicio técnico autorizado para que la prueben.

Luz	Estado
Rojo encendido 	Cargando
Verde encendido 	Batería totalmente cargada



ADVERTENCIA: Si se agota la carga de la batería debido al uso continuado o la exposición a la luz solar directa o el calor, Deje tiempo suficiente para que la batería se enfríe antes de cargarla de nuevo para que se cargue al máximo.

COMPROBACIÓN DEL ESTADO DE ALIMENTACIÓN DEL PAQUETE DE BATERÍAS (VER FIG. A2)

El nivel de la batería se puede conocer a partir de la luz indicadora de la batería presionando el botón al lado de las luces.

2. EXTRAER O INSTALAR EL PACK DE BATERÍA (VÉASE LA FIG. B, C)

Presione el cierre de la batería y extraiga la batería del taladro. Después de volver a cargarla, instale la batería en el puerto de batería del taladro. Sólo necesitará presionar ligeramente para fijarla.

FUNCIONAMIENTO

1. INSTALACIÓN O EXTRACCIÓN DEL CASQUILLO EN EL PORTAHERRAMIENTAS (NO INCLUIDO) (VER FIG. B)

Para instalar el dado, insértelo en el portaherramientas. Para quitar el dado, sáquelo del portaherramientas.



¡ADVERTENCIA: Inspeccione los portaherramientas y el dado cuidadosamente antes de usar la herramienta. Los artículos faltantes o dañados deben ser reemplazados. Asegúrese de que el interruptor esté bloqueado o retire la batería antes de cambiar los accesorios.

2. INTERRUPTOR DE ENCENDIDO / APAGADO (VER FIG. C)

Oprima el interruptor de encendido/apagado para encender y suéltelo para detener su herramienta.
El interruptor de encendido/apagado está equipado con una función de freno que detiene el mandril inmediatamente cuando suelta rápidamente el interruptor.
También es un interruptor de velocidad variable que ofrece una mayor velocidad y par con una mayor presión del gatillo. La velocidad es controlada por la cantidad de presión del gatillo del interruptor.



¡ADVERTENCIA: Inspeccione los portaherramientas y el dado cuidadosamente antes de usar la herramienta. Los artículos faltantes o dañados deben ser reemplazados. Asegúrese de que el interruptor esté bloqueado o retire la batería antes de cambiar los accesorios.

3. BLOQUEO DEL INTERRUPTOR

El interruptor de encendido/apagado se puede bloquear en la posición APAGADO. Esto ayuda a reducir la posibilidad de un arranque accidental cuando no está en uso. Para bloquear el interruptor de encendido/apagado, coloque el selector de dirección de rotación en la posición central.

4. REVERSIBLE (VER FIG. D1, D2)

Para la rotación hacia adelante, (con el mandril apuntando lejos de usted) mueva el control de rotación hacia la izquierda.
Para la rotación inversa, (con el mandril apuntando lejos de usted) mueva el control de rotación hacia la derecha.



¡ADVERTENCIA: ¡Nunca cambie la dirección de rotación cuando el mandril esté girando, espere hasta que se haya detenido!

5. USO DE LA LUZ LED (VER FIG. E)

Para encender la luz simplemente presione el interruptor de encendido/apagado. Cuando suelte el interruptor de encendido/apagado, la luz se apagará.

La iluminación LED aumenta la visibilidad en áreas oscuras o cerradas.

6. VARIABLE DE 3 VELOCIDADES (VER FIG. E)

Presione el botón rojo para seleccionar la velocidad de rotación preferida, niveles 1 a 3, siendo 3 el más rápido. La velocidad de funcionamiento se iluminará.

7. USO DEL CLIP PARA CINTURÓN (VER FIG. F1, F2)

Atornille el clip de cinturón en la herramienta con el tornillo provisto en la bolsa de plástico. El clip para cinturón se puede enganchar en su cinturón o bolsillo, etc.

8. PROTECCIÓN CONTRA SOBRECARGA

Cuando se sobrecarga, el motor se detiene. Descargue inmediatamente la carga de la máquina y deje que se enfríe durante aprox. 30 segundos a la máxima velocidad sin carga.

9. PROTECCIÓN CONTRA SOBRECARGA DEPENDIENTE DE LA TEMPERATURA

Cuando se usa según lo previsto, la herramienta eléctrica no puede estar sujeta a sobrecarga. Cuando la carga es demasiado alta o se excede la temperatura permitida de la batería de 75 °C, el control electrónico apaga la herramienta eléctrica hasta que la temperatura vuelve a estar en el rango de temperatura óptimo.

10. PROTECCIÓN CONTRA DESCARGA PROFUNDA

La batería de iones de litio está protegida contra descargas profundas por el "Sistema de protección de descarga". Cuando la batería está vacía, la máquina se apaga mediante un circuito de protección: la herramienta insertada ya no gira.

SOLUCIÓN DE PROBLEMAS

1. MOTIVOS DE LOS DIFERENTES TIEMPOS DE TRABAJO DEL PAQUETE DE BATERÍAS

Los problemas de tiempo de carga y el hecho de no haber utilizado una batería durante un tiempo prolongado reducirán el tiempo de funcionamiento de la batería. Esto se puede corregir después de varias operaciones de carga y descarga cargando y trabajando con su conductor. Las condiciones de trabajo pesadas, como tornillos grandes en madera dura, consumirán la energía del paquete de baterías más rápido que las condiciones de trabajo más livianas. No recargue su paquete de baterías por debajo de 0°C y por encima de 45°C ya que esto afectará el rendimiento.

2. ¿POR QUÉ LA HERRAMIENTA NO SE ENCIENDE CUANDO PRESIONA EL INTERRUPTOR?

El control de rotación de avance/retroceso, que se encuentra en la parte superior del gatillo, se encuentra en la función de bloqueo. Desbloquee el control de rotación de avance/retroceso colocándolo en la posición de rotación requerida. Presione el gatillo y la herramienta comenzará a girar.

MANTENIMIENTO

Retire el pack de batería del taladro antes de realizar ajustes.

Su herramienta eléctrica no requiere de lubricación ni mantenimiento adicional.

No posee piezas en su interior que deban ser reparadas por el usuario. Nunca emplee agua o productos químicos para limpiar

su herramienta. Use simplemente un paño seco. Guarde siempre su herramienta en un lugar seco. Mantenga limpias las ranuras de ventilación del motor. Mantenga todos los controles de funcionamiento libres de polvo. La observación de chispas que destellan bajo las ranuras de ventilación indica un funcionamiento normal que no dañará su herramienta.

Para las herramientas a batería

El rango de temperatura ambiente de funcionamiento y almacenamiento para la herramienta y la batería es de 0°C-45°C. El rango de temperatura ambiente recomendado para el Sistema de carga durante el proceso de carga es de 0°C-40°C.

PROTECCIÓN AMBIENTAL



Los residuos de aparatos eléctricos y electrónicos no deben depositarse en la basura doméstica. Se deben reciclar en las instalaciones especializadas. Consulte a las autoridades locales o el establecimiento para saber cómo reciclar estos productos.

DECLARACIÓN DE CONFORMIDAD

Los que reciben,
POSITEC Germany GmbH
Postfach 32 02 16, 50796 Cologne, Germany

Declaran que el producto,
Descripción **Llave a batería**
Modelo **WS2407 WS2407.9 (24 designaciones de maquinaria, representante de la llave de impacto inalámbrica)**
Funciones **Apretar y aflojar tornillos, tuercas**

Cumple con las siguientes Directivas :

2006/42/EC
2011/65/EU & (EU)2015/863,
2014/30/EU
2014/35/EU
2006/66/EC & 2013/56/EU

Cumple las normativas

EN 55014-1, EN 55014-2, EN 62841-1, EN 62841-2-2
EN 60335-1, EN 60335-2-29, EN 62233,
EN IEC 61000-3-2, EN 61000-3-3, EN 62133-2

La persona autorizada para componer el archivo técnico,

Nombre Marcel Filz
Dirección POSITEC Germany GmbH
Postfach 32 02 16, 50796 Cologne, Germany



2023/04/04
Allen Ding
Ingeniero Jefe Adjunto. Pruebas y Certificación
Positec Technology (China) Co., Ltd
18, Dongwang Road, Suzhou Industrial
Park, Jiangsu 215123, P. R. China

СПИСЪК НА КОМПОНЕНТИТЕ

1. Управление на въртенето напред/назад
2. Ключ за включване/изключване
3. Мека дръжка
4. Щипка за колан
5. Батериен пакет*
6. Бутон за освобождаване на батерията*
7. LED светлина
8. Променлив бутон за управление на 3 скорости
9. Държач за инструменти

* Не всички илюстрирани или описани аксесоари са включени в стандартната доставка.

ТЕХНИЧЕСКИ ДАННИ

Тип **WS2407 WS2407.9** (24-обозначение на машини, представител на акумулаторен ударен гайковерт)

	WS2407	WS2407.9
Номинално напрежение	18V \equiv	
Номинална скорост на празен ход	0-900/2400/3000 /min	
Максимален въртящ момент	350 N.m	
Степен на въздействие	0-1200/3300/4000 bpm	
Размер на патронника	1/2"	
Тегло на машината	1.693 kg	1.043 kg
Изход за зарядно устройство (WS9969)	20 V \equiv 2.0 A	/
Вход за зарядно устройство (WS9969)	100-240 V~50/60 Hz, 55W	/
Клас на защита на зарядното устройство	\square / II	/
Капацитет на батерията (WS9940)	4.0Ah	/
Време за зареждане	2hr	/

ИНФОРМАЦИЯ ЗА ШУМА

Претеглено звуково налягане

Претеглена звукова мощност

K_{PA} & K_{WA}

$L_{PA} = 83,6$ dB(A)

$L_{WA} = 94,6$ dB(A)

3 dB(A)

Носете антифони.

ИНФОРМАЦИЯ ЗА ВИБРАЦИИТЕ

Обща стойност на вибрациите (триаксиална векторна сума), определена според БДС EN 62841:

Стойност на вибрационните емисии $a_{h,D} = 7,446$ m/s²

Неопределеност $K = 1.5$ m/s²

Декларираната обща стойност на вибрациите и декларираната стойност на емисиите на шум са измерени

в съответствие със стандартен метод за измерване и могат да бъдат използвани за сравняване на един инструмент с друг.

Декларираната обща стойност на вибрациите и декларираната емисия на шум може да се използва и за предварителна оценка на експозицията.



ПРЕДУПРЕЖДЕНИЕ: Стойността на емисиите на вибрации и шум при реално използване на електроинструмента може да се различава от декларираната стойност в зависимост от начините, по които инструментът се използва, в зависимост от детайла, който се обработва, и в зависимост от следните примери и други варианти за начина на използване на инструмента:

Как се използва инструментът и материалите, които се режат или пробиват.

Добро състояние и правилна поддръжка на инструмента.

Използване на правилните аксесоари за инструмента и поддържането му остър и в добро състояние.

Стегнат захват на ръкохватките и използване на противовибрационни и противощумови аксесоари.

Употреба на инструмента според дизайна му и тези инструкции.

Този инструмент може да предизвика синдром на вибрация „ръка-рамо“, ако употребата му не се управлява адекватно.



ПРЕДУПРЕЖДЕНИЕ: За да бъде точна, оценката на нивото на експозиция в реалните условия на употреба трябва също да вземе предвид всички части от работния цикъл, като например времето, през което инструментът е изключен и когато работи на празен ход без реално да извършва работа. Това може значително да намали нивото на експозиция през общия работен период.

Как да намалите риска от експозиция на вибрации и шум. Винаги използвайте остри длета, свредла и ножове.

Грижете се за инструмента според тези инструкции и го поддържайте смазан (където е приложимо). Ако инструментът ще се използва редовно, инвестирайте в противовибрационни и противощумови аксесоари.

Планирайте работния си график, за да разпределите употребата на високовибрационни инструменти в няколко отделни дни.

АКСЕСОАРИ

	WS2407	WS2407.9
Зарядно устройство (WS9969)	1	/
Батерия (WS9940)	1	/
Гнездо (17/19/21)	3	3
Щипка за колан	1	1

Препоръчваме ви да закупите вашите аксесоари от същия магазин, от който сте закупили инструмента. Избирайте модела според работата, която ще извършвате. Направете справка с опаковката за аксесоари за повече подробности. Персоналът в магазина може да ви съдейства и да ви предложи съвет.

ОРИГИНАЛНИ ИНСТРУКЦИИ ОБЩИ ПРЕДУПРЕЖДЕНИЯ ЗА БЕЗОПАСНОСТ ЗА ЕЛЕКТРОИНСТРУМЕНТИ



ВНИМАНИЕ: Прочетете всички предупреждения за безопасност, инструкции, илюстрации и спецификации, предоставени с този електроинструмент. Неспазването на всички посочени инструкции може да доведе до токов удар, пожар и/или сериозно нараняване.

Запазете всички предупреждения и инструкции за бъдеща справка.

Терминът „електроинструмент“ в предупрежденията се отнася за вашите електроинструменти, захранвани от мрежата (с кабел) или за електроинструментите, работещи с батерия (без кабел).

1) БЕЗОПАСНОСТ НА РАБОТНАТА ЗОНА

- a) **Пазете работната зона чиста и добре осветена.** Разхвърляйте или тъмни зони предизвикват инциденти.
- b) **Не използвайте електроинструменти във взривоопасна атмосфера, например в присъствието на запалими течности, газове или прах.** Електроинструментите произвеждат искри, които могат да запалят прах или изпарения.
- c) **Дръжте деца и странични лица далеч, докато работите с електроинструмент.** Разсейването може да доведе до загуба на контрол.

2) ЕЛЕКТРОБЕЗОПАСНОСТ

- a) **Щепселите на електрическия инструмент трябва да съответстват на контакта. Никога не модифицирайте щепсела по никакъв начин. Не използвайте никакви адаптерни щепсели със заземени електроинструменти.** Немодифицираните щепсели и подходящите контакти ще намалят риска от токов удар.
- b) **Избягвайте контакт на тялото със заземени повърхности, като например тръби, радиатори, печки и хладилници.** Съществува повишен риск от токов удар, ако тялото ви бъде заземено.
- c) **Не излагайте електроинструментите при дъжд или мокри условия.** Водата, навлизаща в електроинструмента, ще увеличи риска от токов удар.
- d) **Не повреждайте кабела. Никога не използвайте кабела, за да носите, дърпате или изключвате електроинструмента. Дръжте кабела далеч от топлина, масло,**

остри ръбове или движещи се части. Повредените или заплетени кабели повишават риска от токов удар.

- e) **Когато работите с електроинструмент на открито, използвайте удължителен кабел, подходящ за външна употреба.** Употребата на кабел, подходящ за употреба на открито, намалява риска от токов удар.
 - f) **Ако работата с електроинструмент на влажно място е неизбежна, използвайте защитно захранване с дефектнотокова защита (ДТЗ).** Използването на ДТЗ намалява риска от токов удар.
- ## 3) ЛИЧНА БЕЗОПАСНОСТ
- a) **Бъдете нащрек, внимавайте какво правите и използвайте здравия си разум, когато работите с електроинструмент. Не използвайте електроинструмент, когато сте изморени или под влияние на наркотици, алкохол или лекарства.** Момент невнимание при работа с електроинструмент може да доведе до сериозни наранявания.
 - b) **Носете лично защитно оборудване. Винаги носете защита за очите.** Предпазните средства като противопохова маска, предпазни обувки против пързаяне, каска или антифони, използвани за подходящите условия, ще намалят нараняванията.
 - c) **Предотвратяване на неволно стартиране. Уверете се, че превключвателят е в позиция изкл. (off), преди свързване към източник на захранване и/или батериен пакет, вземане или носене на инструмента.** Носенето на електроинструменти с пръст върху превключвателя или включването им при натиснат превключвател може да доведе до злополуки.
 - d) **Извадете всеки регулиращ ключ или гаечен ключ, преди да включите електрическия инструмент.** Гаечен ключ или друг ключ, прикрепен към въртяща се част на електроинструмента, може да доведе до наранявания.
 - e) **Не дръжте инструмента твърде далече. Непрекъснато спазвайте подходящо положение и баланс.** Това спомага за по-доброто управление на електроинструмента в непредвидени ситуации.
 - f) **Носете подходящо облекло. Не носете широки дрехи или бижута. Дръжте косата и дрехите си далеч от движещи се части.** Широките дрехи, бижута или дългата коса могат да бъдат захванати от движещите се части.
 - g) **Ако са осигурени устройства за свързване на уреди за извличане и събиране на прах, уверете се, че те са свързани и се използват правилно.**

- Събирането на прах може да намали опасностите, свързани с праха.*
- h) Не позволявайте познаването, придобито от честата употреба на инструменти, да ви позволи да изгубите бдителността си и да игнорирате принципите за безопасност на инструментите.** *Небрежното действие може да причини тежко нараняване в рамките на част от секундата.*
- 4) ИЗПОЛЗВАНЕ И ГРИЖА ЗА ЕЛЕКТРОИНСТРУМЕНТА**
- a) Не претоварвайте електроинструмента. Използвайте правилния електроинструмент за вашите нужди.** *Правилният електроинструмент ще свърши работата по-добре и по-безопасно при скоростта, за която е проектиран.*
- b) Не използвайте електрически инструмент, ако превключвателят не го включва и изключва.** *Всички електроинструменти, които не могат да бъдат управлявани от превключвателя си, са опасни и трябва да бъдат ремонтирани.*
- c) Изключете щепсела от източника на захранване и / или извадете батерийния пакет, ако се разглобява, от електроинструмента, преди да направите каквито и да е настройки, да смените аксесоарите или да съхранявате електроинструментите.** *Подобни предпазни мерки намаляват риска от включване на електроинструмента по невнимание.*
- d) Съхранявайте електроинструментите далеч от досега на деца и не позволявайте на лица, които не са запознати с електроинструмента или тези инструкции, да работят с електроинструмента.** *Електроинструментите са опасни в ръцете на необучени потребители.*
- e) Поддържайте електроинструментите и аксесоарите. Проверете за разцентроване или запъване на движещите се части, счупване на частите и други състояния, които могат да повлияят на работата на електроинструмента.** *При повреда, ремонтирайте инструментa преди употреба. Много злополуки са причинени от лошо поддържани електроинструменти.*
- f) Поддържайте режещите инструменти остри и чисти.** *Правилно поддържаните режещи инструменти с остри режещи ръбове е по-малко вероятно да засичат при работа и са по-лесни за управление.*
- g) Използвайте електроинструмента, аксесоарите и накрайниците на инструментите и т.н. в съответствие с тези инструкции, като се вземат предвид условията на работа и работата, която трябва да се извърши.** *Употребата на електроинструмента за операции, различни от тези, за които е предназначен, може да доведе до опасни ситуации.*
- h) Пазете ръкохватките и захващащите повърхности сухи, чисти и без следи от масло и смазка.** *Хлъзгавите ръкохватки и захващащи повърхности не позволяват безопасна работа и контрол на инструментa при неочаквани ситуации.*
- 5) ИЗПОЛЗВАНЕ И ГРИЖА ЗА БАТЕРИЯТА**
- a) Зареждайте единствено със зарядно, посочено от производителя.** *Зарядно устройство, което е подходящо за един вид батерия, може да създаде риск от пожар, когато се използва с друг батерия пакет.*
- b) Използвайте електроинструментите само с батерийния пакет, проектиран за тях.** *Употребата на всякакви други батерийни пакети може да създаде риск от нараняване и огън.*
- c) Когато батерийният пакет не се използва, го съхранявайте далеч от други метални предмети, като кламери, монети, ключове, гвоздеи, отвертки или други малки метални предмети, които биха могли да направят връзка между двете клеми.** *Свързването на клемите на батерията може да предизвика експлозия или пожар.*
- d) При неправилна експлоатация е възможно от батерията да изтече течност; избягвайте контакт.** *Ако случайно възникне контакт, изплакнете с вода. Ако течността влезе в досег с очите, потърсете допълнителна медицинска помощ. Течността, изтекла от батерията, може да причини дразнене или изгаряния.*
- e) Не използвайте батерияния пакет или инструмент, който е повреден или модифициран.** *Повредените или модифицирани батерии могат да проявят непредвидимо поведение, което да доведе до пожар, експлозия или риск от нараняване.*
- f) Не излагайте батерияния пакет или инструментa на огън или прекомерна температура.** *Излагането на огън или температура над 130 °C може да причини експлозия.*
- g) Следвайте всички инструкции за зареждане и не зареждайте батерияния пакет или инструментa извън температурния диапазон, посочен в инструкциите.** *Неправилното зареждане или при температури извън посочения диапазон може да повреди батерията и да увеличи риска от пожар. ключове, гвоздеи, отвертки или други малки метални предмети, които биха могли да направят връзка между двете клеми. Свързването на клемите на батерията може*

да предизвика експлозия или пожар.

- 6) **ОБСЛУЖВАНЕ**
- a) Вашият електроинструмент трябва да се обслужва от квалифицирано лице, което използва само оригинални резервни части. Това ще гарантира, че се поддържа безопасността на електроинструмента.
- b) Никога не обслужвайте повредени батерийни пакети. Обслужването на батерийните пакети трябва да се извършва само от производителя или оторизирани доставчици на услуги.

ПРЕДУПРЕЖДЕНИЕ ЗА БЕЗОПАСНОСТ ПРИ ОТВЕРТКА

- 1. Дръжте електроинструмента за изолирани повърхности за захващане, когато извършвате операция, при която закопчалката може да влезе в контакт със скрито окабеляване. Скрепителните елементи, които влизат в контакт с проводник под напрежение, могат да направят откритите метални части на електроинструмента „под напрежение“ и да причинят на оператора токов удар.

ПРЕДУПРЕЖДЕНИЯ ЗА БЕЗОПАСНОСТ ЗА БАТЕРИЙНИЯ ПАКЕТ

- a) Не демонтирайте, не отваряйте и не разкъсвайте батерийния пакет.
- b) Не свързвайте батерийния пакет на късо. Не съхранявайте батерийните пакети небрежно в кутия или чекмедже, където могат да се свържат накъсо помежду си или да се свържат накъсо с проводими материали. *Когато батерийният пакет не се използва, го съхранявайте далеч от други метални предмети, като кламери, монети, ключове, пирони, винтове или други малки метални предмети, които могат да направят връзка между двете клемми. Свързването на клемите на батерията може да предизвика експлозия или пожар.*
- c) Не излагайте батерийния пакет на топлина или огън. Избягвайте съхранение под пряка слънчева светлина.
- d) Не излагайте батерийния пакет на механични удари.
- e) В случай на протичане на батерията, не позволявайте течността да влезе в контакт с кожата или очите. Ако това се случи, изплакнете засегнатата област обилно с вода и потърсете медицинска помощ.

- f) Пазете батерийния пакет чист и сух.
- g) Ако клемите на батерийния пакет бъдат замърсени, ги почистете с чиста суха кърпа.
- h) Батерийният пакет трябва да бъде зареден преди употреба. Винаги правете справка с тази инструкция и прилагайте правилната процедура за зареждане.
- i) Не зареждайте батерийния пакет, когато няма да се използва.
- j) След продължителни периоди на съхранение може да се наложи да заредите и разределите батерийния пакет няколко пъти, за да постигнете оптимални резултати.
- k) Зареждайте само със зарядното устройство, посочено от WESCO. Не използвайте зарядно, различно от предоставеното за употреба с оборудването.
- l) Не използвайте батерийен пакет, който не е проектиран за използване с оборудването.
- m) Съхранявайте батерийния пакет далеч от достъпа на деца.
- n) Запазете оригиналната литература за продукта за бъдещи справки.
- o) Извадете батерията от оборудването, когато не го използвате.
- p) Изхвърляйте според изискванията.
- q) Не смесвайте батерии от различни производители, капацитет, размер или вид в едно и също устройство.
- r) Дръжте батерията далеч от микровълни и високо налягане.
- s) **Предупреждение!** Не използвайте неакумулаторни батерии.

ОБЩИ ПРЕДУПРЕЖДЕНИЯ ЗА БЕЗОПАСНОСТ ЗА ЗАРЯДНО ЗА БАТЕРИЯ



ПРЕДУПРЕЖДЕНИЕ Прочетете всички предупреждения за безопасност и всички инструкции.

Неспазването на това предупреждение и инструкциите може да доведе до токов удар, пожар и / или сериозни наранявания.

Запазете всички предупреждения и инструкции за бъдеща справка.

Този уред може да се използва от деца на възраст над 8 години, както и от лица с намалени физически, сензорни или умствени способности или от такива, които нямат съответния опит и познания, при условие че въпросните лица са били инструктирани относно безопасната експлоатация на

електрическия уред и са наясно с рисковете, които съпътстват боравенето с него. Децата не бива да си играят с уреда. Почистването и поддръжката не трябва да се извършва от деца без надзор. Ако захранващият кабел бъде повреден, той трябва да бъде подменен от производителя, от обслужващия го представител или от друго компетентно лице с цел избягване на опасности.

ДОПЪЛНИТЕЛНИ ИНСТРУКЦИИ ЗА БЕЗОПАСНОСТ ПРИ РАБОТА С ВАШЕТО ЗАРЯДНО УСТРОЙСТВО ЗА БАТЕРИИ

1. Прочетете тези инструкции преди да започнете да зареждате.
2. Не зареждайте протекла батерия.
3. Не използвайте зарядни устройства за цели различни от тези, за които са предвидени.
4. Преди презареждане се уверете, че вашето зарядно отговаря на местното електрозахранване.
5. За употреба на закрито, не излагайте на дъжд.
6. Зарядното устройство трябва да бъде защитено от влага.
7. Не използвайте устройството за зареждане на открито.
8. Не свързвайте накъсо контактите на батерията или зарядното устройство.
9. Спазвайте поляритета „+/-“, когато зареждате.
10. Не отваряйте уреда и го дръжте на място, недостъпно за деца.
11. Не зареждайте батерии на други производители или неподходящи модели.
12. Уверете се, че връзката между зарядното устройство за батерии и батерията е правилно разположена и не е възпрепятствана от други чужди тела.
13. Пазете слотовете на зарядното устройство без чужди предмети и ги предпазвайте от замърсяване и влага. Съхранявайте на сухо място, без опасност от замръзване.
14. Когато зареждате батериите, се уверете, че зарядното устройство се намира в добре проветриво място и далече от запалими материали. Батериите могат да станат горещи при зареждане. Не презареждайте прекомерно батериите. Уверете се, че батериите и зарядните не са оставени без надзор по време на зареждане.
15. Не презареждайте незареждащи се батерии, тъй като те могат да прегреят и да се пръснат.
16. Ако батерияният пакет се зарежда при температура на въздуха между 18 °C и 24 °C, това ще му осигури по-дълъг живот и по-добра

работа. Не зареждайте батерията опакованите при температури на въздуха под 0 °C или над 40 °C. Това е важно, тъй като може да предотврати сериозни повреди на батерияния пакет.

17. Зареждайте само батерияни пакети от същия модел, предвиден от WESCO и от модели, препоръчани от WESCO.

СИМВОЛ



За да се намали рискът от наранявания, потребителят трябва да прочете ръководството с инструкции.



Предупреждение



Носете антифони



Носете защитни очила



Носете противопрахова маска



Само за вътрешна употреба (зарядно устройство)



Прочетете ръководството за експлоатация



Батериите могат да влязат във водния цикъл, ако бъдат изхвърлени неправилно, което може да бъде опасно за екосистема. Не изхвърляйте отпадъци батерии като несортирани битови отпадъци.



Не изгаряйте



Положителна клемма



Отрицателна клемма



Li-Ion батерия Този продукт е бил маркирани със символ, свързан с „отделно“. колекция“ за всички батерийни пакети и батерия опаковка. След това ще бъде рециклиран или демонтиран за да се намали въздействието върху заобикаляща среда. Батерийните пакети могат да бъдат опасни за околната среда и за човешкото здраве, тъй като съдържат опасни вещества.



Излезлите от употреба електрически продукти не бива да бъдат изхвърляни заедно с битовите отпадъци. Моля, използвайте рециклиращи съоръжения там, където има такива. Информация за рециклирането можете да получите от местните власти или от съответния търговец на дребно.



Двойна изолация (зарядно)



Предпазител

ИНСТРУКЦИИ ЗА РАБОТА



ЗАБЕЛЕЖКА: Преди да използвате инструмента, прочетете книжката с инструкциите внимателно.

ПРЕДНАЗНАЧЕНИЕ

Този инструмент е предназначен за закрепване и разхлабване на болтове, гайки и различни крепежни елементи с резба. Този инструмент не е предназначен за използване като бормашина.

ПРЕДИ ОПЕРАЦИЯ

1. ЗАРЕЖДАНЕ НА БАТЕРИЯТА

- Не използвайте зарядно устройство, различно от това, което е специално предоставено за употреба с оборудването.
- Ако батерията е много гореща, трябва да извадите батерията от зарядното устройство и да оставите батерията да се охлади, преди да я презаредите.
- Батерията във вашия нов инструмент не е заредена, когато напусне завода. Следователно той трябва да бъде напълно зареден, преди да го използвате за първи път.
- Моля, заредете батерията до пълно или не по-малко от половин заряд преди съхранение. Ако инструментът няма да се използва за дълги периоди от време, заредяйте батерията на всеки 3-6 месеца.

ПРЕМАХВАНЕ ИЛИ ИНСТАЛИРАНЕ НА БАТЕРИЯ НА ЗАРЯДНОТО УСТРОЙСТВО (ВИЖТЕ ФИГ. A1)

Плъзнете батерията в порта за батерията на зарядното устройство. Просто натискане и лек натиск ще бъде достатъчен. Натиснете батерията първо освободете здраво бутона и след това плъзнете батерията навън от зарядното.

ПРОЦЕДУРА НА ЗАРЕЖДАНЕ

- Включете зарядното устройство в подходящ контакт. Светлината ще свети зелено.
- Плъзнете батерията в зарядното устройство, светлината ще светне в червено, за да покаже, че процесът на зареждане е започнал.
- Когато зареждането приключи, светлината ще светне в зелено. Пакетът вече е напълно зареден, изключете зарядното устройство и извадете пакета батерии.

ИНДИКАТОР ЗА ЗАРЕЖДАНЕ

Това зарядно устройство е проектирано да открива някои проблеми, които могат да възникнат с батерии. Светлинните индикатори показват проблеми (вижте таблицата по-долу). Ако това се случи, поставете нова батерия, за да определите дали зарядното устройство е наред. Ако новата батерия се зарежда правилно, тогава оригиналната опаковка е дефектна и трябва да бъде върната в сервизен център или център за рециклиране. Ако новият пакет батерии показва същия проблем като оригиналния пакет батерии, дайте зарядното устройство да бъде тествано в оторизиран сервизен център.

Светлина	Статус
Включено червено 	Зареждане
Зелено включено 	Напълно зареден



ПРЕДУПРЕЖДЕНИЕ: Когато зарядът на батерията се изтощи след продължителна употреба или излагане на пряка слънчева светлина или топлина, оставете инструмента да се охлади преди повторно зареждане, за да постигнете пълно зареждане.

ПРОВЕРКА НА СЪСТОЯНИЕТО НА ЗАХРАНВАНЕТО НА БАТЕРИЙНИЯ ПАКЕТ (ВИЖТЕ ФИГ. A2)

Нивото на батерията може да бъде известно от светлинния индикатор за батерията, като натиснете бутона до светлините.

2. ОТСТРАНЯВАНЕ ИЛИ ПОСТАВЯНЕ НА БАТЕРИЯ (ВИЖТЕ ФИГ. A3, A4)


Натиснете бутона за освобождаване на батерията и извадете батерията от инструмента. След презареждане плъзнете батерията в порта за батерията на инструмента. Едно просто

натискане и лек натиск ще бъдат достатъчни.

ЕКСПЛОАТАЦИЯ

1. ИНСТАЛИРАНЕ ИЛИ ПРЕМАХВАНЕ НА ГНЕЗДОТО НА ДЪРЖАЧА НА ИНСТРУМЕНТА (НЕ СЕ ДОСТАВЯ) (ВИЖТЕ ФИГ. В)

За да монтирате гнездото, поставете гнездото в държача на инструмента. За да премахнете гнездото, издърпайте гнездото от държача на инструмента.


 **ПРЕДУПРЕЖДЕНИЕ:** Проверете внимателно държачите на инструмента и гнездото, преди да използвате инструмента. Липсващите или повредени елементи трябва да бъдат заменени. Уверете се, че превключвателят е заключен или извадете батерията, преди да смените аксесоарите.

2. КЛЮЧ ЗА ВКЛ./ИЗКЛ. (ВИЖТЕ ФИГ. С)

Натиснете превключвателя за включване/изключване, за да стартирате и го отпуснете, за да спрете инструмента.

Превключвателят за включване/изключване е снабден със спирална функция, която спира незабавно патронника, когато бързо освободите превключвателя.

Това също е превключвател с променлива скорост, който осигурява по-висока скорост и въртящ момент с повишен натиск на спусъка. Скоростта се контролира от степента на натискане на спусъка на превключвателя.


 **ПРЕДУПРЕЖДЕНИЕ:** Проверете внимателно държачите на инструмента и гнездото, преди да използвате инструмента. Липсващите или повредени елементи трябва да бъдат заменени. Уверете се, че превключвателят е заключен или извадете батерията, преди да смените аксесоарите.

3. ЗАКЛЮЧВАНЕ НА ПРЕВКЛЮЧВАТЕЛЯ

Превключвателят за включване/изключване може да бъде заключен в положение ИЗКЛ. Това помага да се намали възможността от случайно стартиране, когато не се използва. За да заключите превключвателя за включване/изключване, поставете селектора за посока на въртене в централна позиция.

4. ОБРАТЕН (ВИЖТЕ ФИГ. D1, D2)

За въртене напред (с патронник, насочен от вас) преместете контрола за въртене наляво. За обратно въртене (с патронник, насочен от вас) преместете контрола за въртене надясно.

 **ПРЕДУПРЕЖДЕНИЕ:** Никога не променяйте посоката на въртене, когато патронникът се върти, изчакайте да спре!

5. ИЗПОЛЗВАНЕ НА LED СВЕТЛИНАТА (ВИЖТЕ ФИГ. Е)

За да включите светлината, просто натиснете бутона за включване/изключване. Когато освободите ключа за включване/изключване, светлината ще изгасне. LED осветлението увеличава видимостта в тъмни или затворени помещения.

6. ПРОМЕНЛИВА 3-СКОРОСТИ (ВИЖТЕ ФИГ. Е)

Натиснете червения бутон, за да изберете предпочитана скорост на въртене, нива от 1 до 3, като 3 е най-бързото. Работната скорост ще светне.

7. ИЗПОЛЗВАНЕ НА ЩИПКА ЗА КОЛАН (ВИЖТЕ ФИГ. F1, F2)

Завийте скобата за колан на инструмента с винта, предоставен в пластмасовата торбичка. Щипката за колан може да се закачи на колана или джоба ви и т.н.

8. ЗАЩИТА ОТ ПРЕТОВАРВАНЕ

При претоварване двигателят спира. Незабавно облекчете машината и оставете да се охлади за припл. 30 секунди при най-висока скорост на празен ход.

9. ЗАВИСИМА ОТ ТЕМПЕРАТУРАТА ЗАЩИТА ОТ ПРЕТОВАРВАНЕ

При използване по предназначение електроинструментът не може да бъде подложен на претоварване. Когато товарът е твърде голям или допустимата температура на батерията от 75°C е превишена, електронното управление изключва електроинструмента, докато температурата отново достигне оптималния температурен диапазон.

10. ЗАЩИТА СРЕЩУ ДЪЛБОКО РАЗРЕЖДАНЕ ЛИТИЕВО-ЙОННАТА БАТЕРИЯ

е защитена срещу дълбоко разреждане чрез „Система за защита от разреждане“. Когато батерията е изтощена, машината се изключва чрез защитна верига. Поставеният инструмент вече не се върти.

СЪВЕТИ ЗА РАБОТА С ВАШАТА БОРМАШИНА

1. ПРИЧИНИ ЗА РАЗЛИЧНОТО ВРЕМЕ НА РАБОТА НА БАТЕРИЙНИЯ ПАКЕТ

Проблеми с времето за зареждане и неизползване на батерия за продължително време ще намалят работното време на батерията. Това може да се коригира след няколко операции за зареждане и разреждане чрез зареждане и работа с вашия драйвер. Тежките работни условия, като големи винтове в твърдо дърво, ще изразходват енергията на батерията по-бързо от по-леките работни условия. Не зареждайте отново батерията си

под 0°C и над 45°C, тъй като това ще повлияе на работата.

2. ЗАЩО ИНСТРУМЕНТЪТ НЕ СЕ ВКЛЮЧВА, КОГАТО НАТИСНЕТЕ КЛЮЧА?

Контролът за въртене напред/назад, който е отгоре на спусъка, е позициониран във функцията за заключване. Отключете контрола за въртене напред/назад, като го поставите в желаната позиция за въртене. Натиснете спусъка и инструментът ще започне да се върти.

ПОДДРЪЖКА

Отстранете батерията от инструмента, преди да извършвате каквото и да е регулиране, обслужване или поддръжка.

Вашият инструмент не изисква допълнително смазване или поддръжка. Няма части, които могат да бъдат обслужвани от потребителя във вашия електроинструмент. Никога не използвайте вода или химикали за почистване на вашия електроинструмент. Почиствайте със сухо парче плат. Винаги съхранявайте вашия електроинструмент на сухо място. Поддържайте отворите за вентилация на мотора чисти. Пазете всички работни контроли без прах. Понякога може да забележите искри през отворите за вентилация. Това е нормално и няма да повреди вашия електроинструмент.

ЗА ИНСТРУМЕНТИ С БАТЕРИИ

Диапазонът на околната температура за употреба и съхранението на инструмента и батерията е 0 °C-45 °C.

Препоръчителният температурен диапазон на околната среда за зареждащата система по време на зареждане е 0 °C-40 °C.

ОПАЗВАНЕ НА ОКОЛНАТА СРЕДА



Излезлите от употреба електрически продукти не бива да бъдат изхвърляни заедно с битовите отпадъци. Моля,

■ използвайте рециклиращи съоръжения там, където има такива. Информация за рециклирането можете да получите от местните власти или от съответния търговец на дребно.

ДЕКЛАРАЦИЯ ЗА СЪОТВЕТСТВИЕ

Ние,
POSITEC Germany GmbH
Postfach 32 02 16, 50796 Cologne, Germany

Декларираме, че продуктът
Описание **Акумулаторен гаечен ключ**
Модел обозначение **WS2407 WS2407.9**
(24-обозначение на машини,
представител на акумулаторен ударен
гайковерт)
Функция **Затягане и разхлабване на**
винтове, гайки

Отговаря на следните Директиви:

2006/42/EC
2011/65/EU & (EU)2015/863,
2014/30/EU
2014/35/EU
2006/66/EC & 2013/56/EU

както и на стандартите:

EN 55014-1,
EN 55014-2,
EN 62841-1,
EN 62841-2-2,
EN 60335-1,
EN 60335-2-29,
EN 62233,
EN IEC 61000-3-2,
EN 61000-3-3,
EN 62133-2

Лице, оторизирано да изготвя техническото досие,

Име **Marcel Filz**
Адрес **POSITEC Germany GmbH**
Postfach 32 02 16, 50796 Cologne, Germany



2023/04/04

Allen Ding

Заместник-главен инженер, отговарящ за
тестването и сертифицирането
Positec Technology (China) Co., Ltd
18, Dongwang Road, Suzhou Industrial
Park, Jiangsu 215123, P. R. China

WESCO