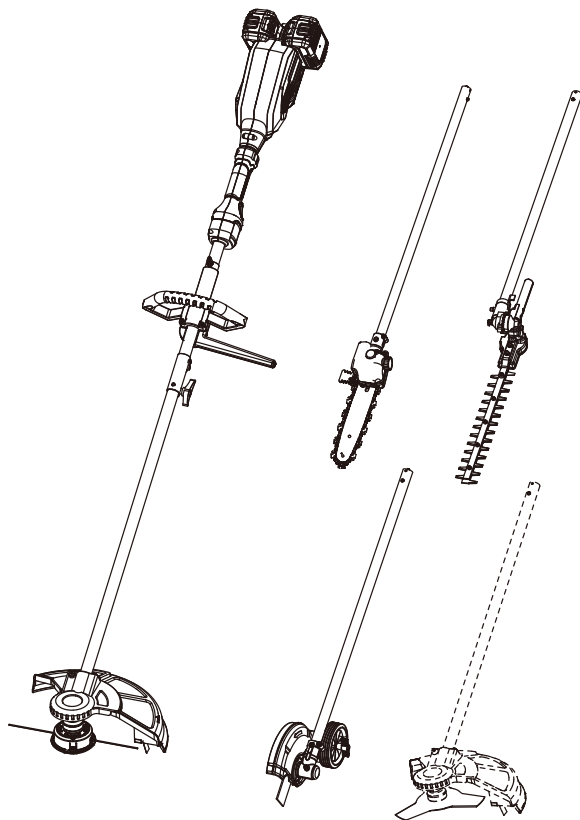


# WESCO



**WS8198.1 (CBC36A)**

**2** YEAR  
Warranty

• 5-IN-1 CORDLESS GARDEN MULTI TOOL

EN

P12

• HERRAMIENTA MULTIFUNCIÓN INALÁMBRICA PARA JARDÍN 5 EN 1

ES

P31

---

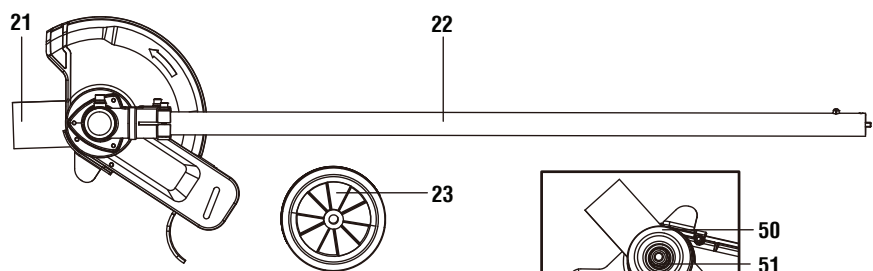
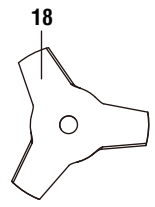
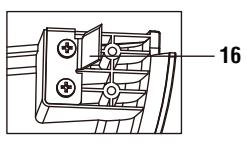
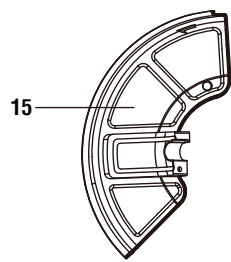
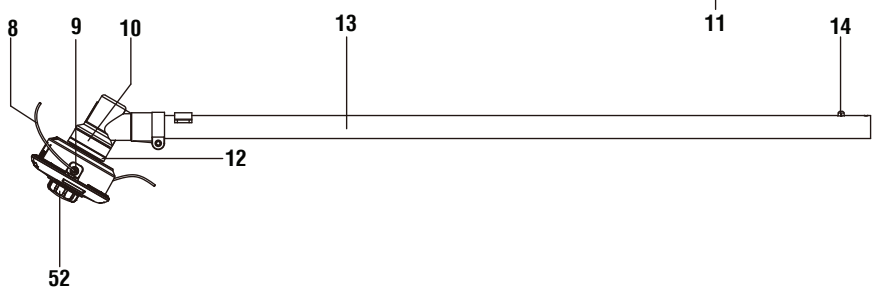
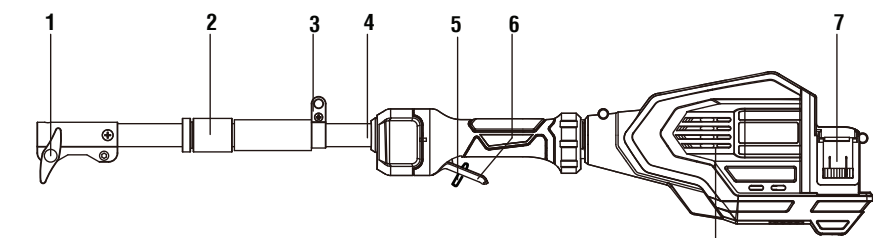
**Original instructions**

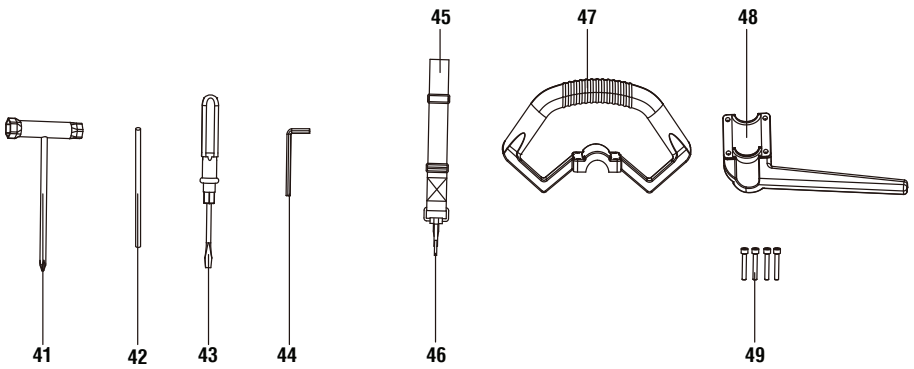
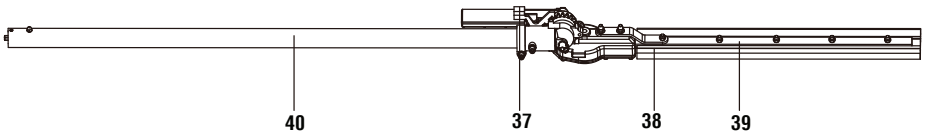
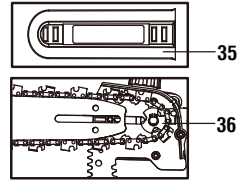
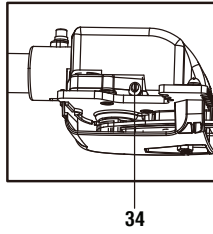
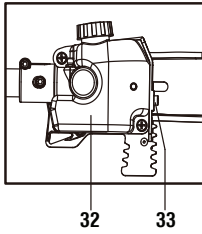
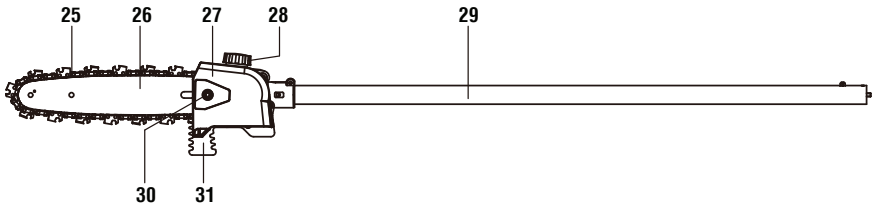
**EN**

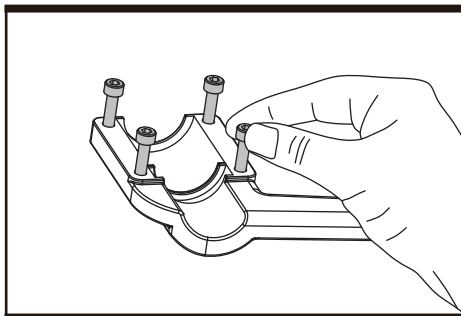
**Manual original**

---

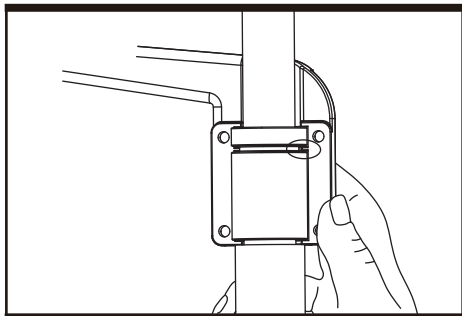
**ES**



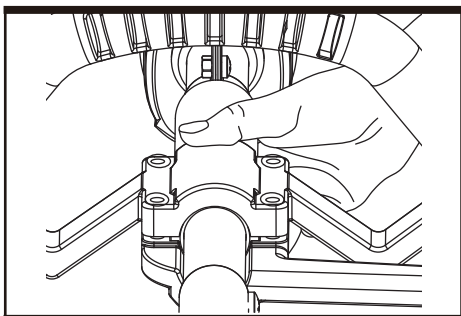




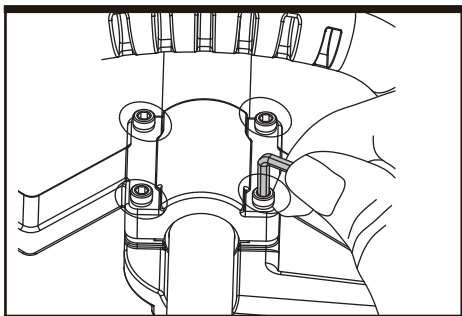
**Fig.A1**



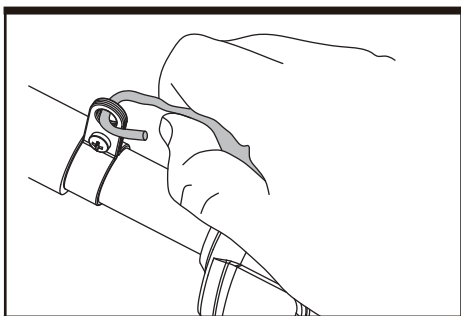
**Fig.A2**



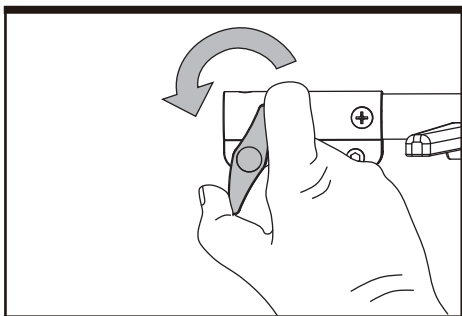
**Fig.A3**



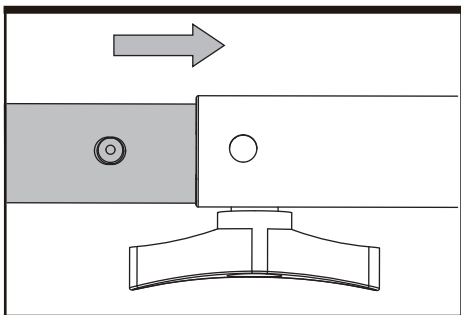
**Fig.A4**



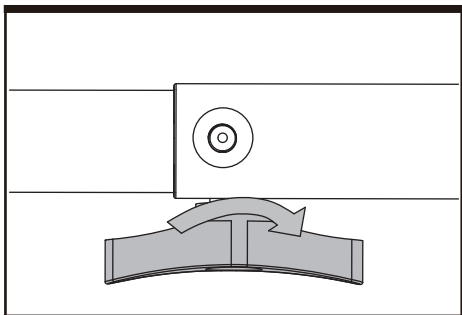
**Fig.B**



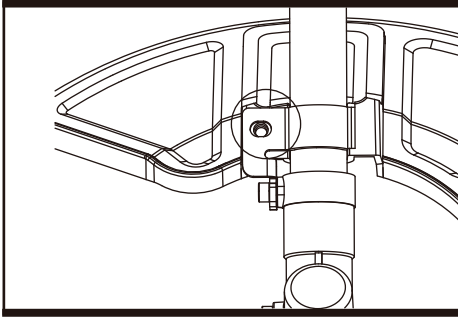
**Fig.C1**



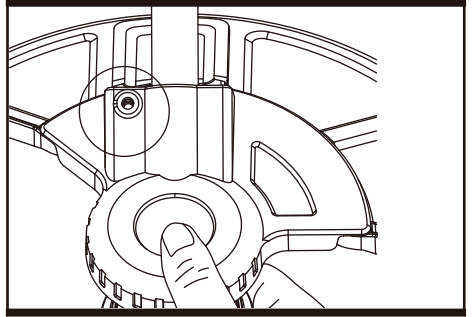
**Fig.C2**



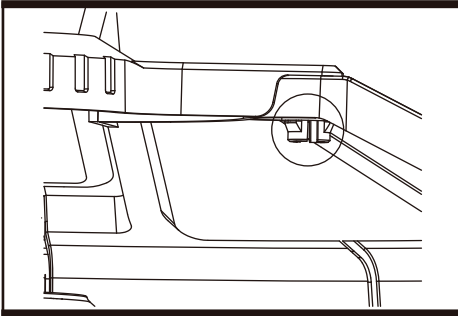
**Fig.C3**



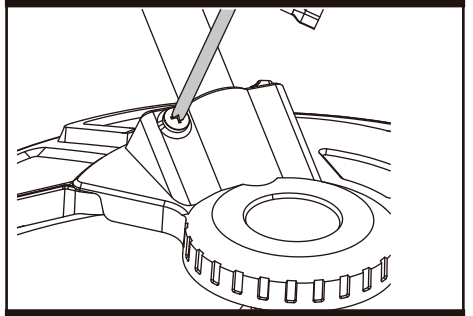
**Fig.D1**



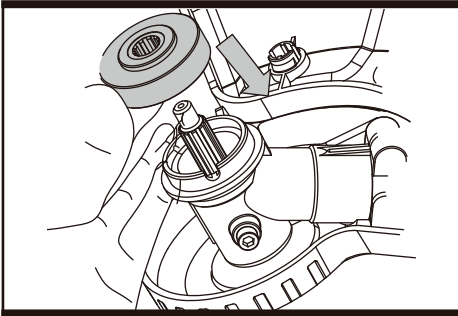
**Fig.D2**



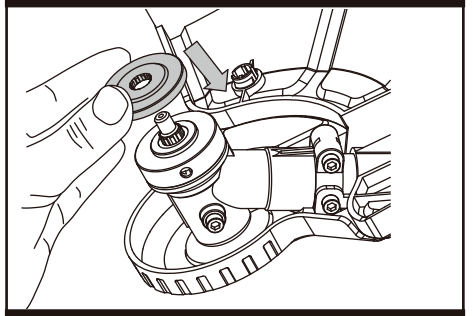
**Fig.D3**



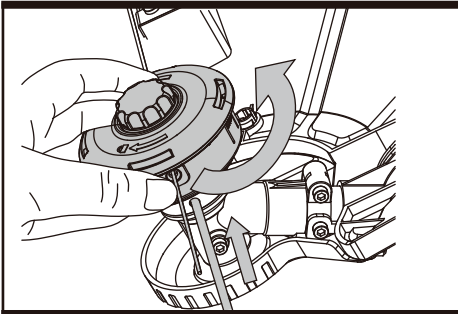
**Fig.D4**



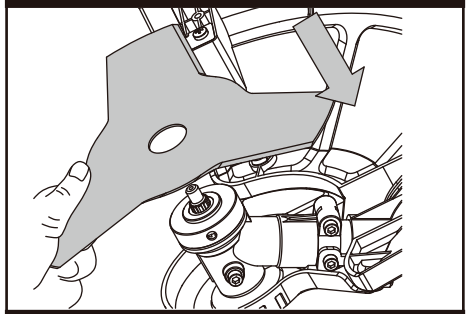
**Fig.E1**



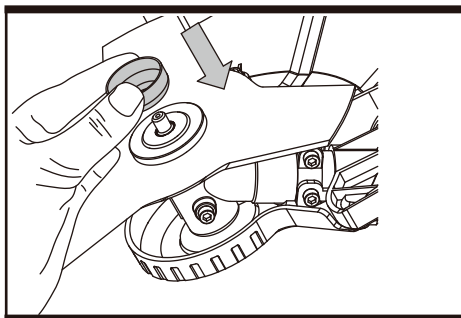
**Fig.E2**



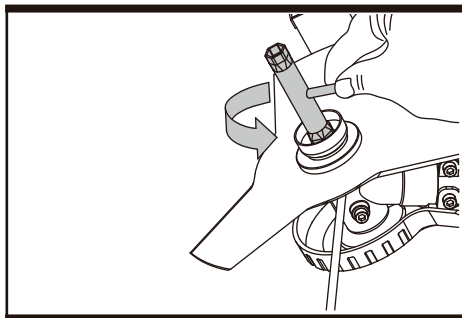
**Fig.E3**



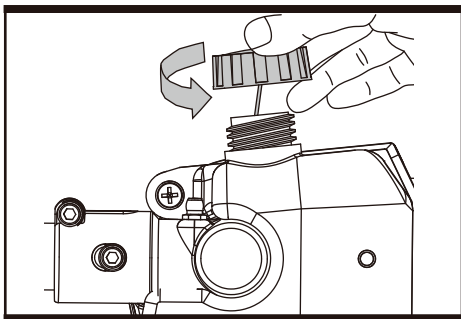
**Fig.F1**



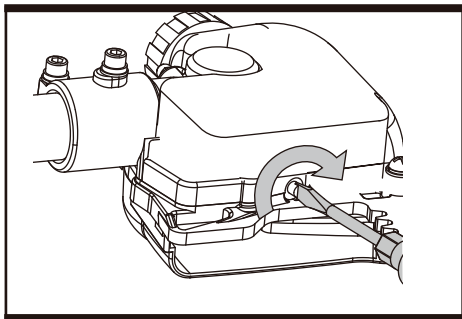
**Fig.F2**



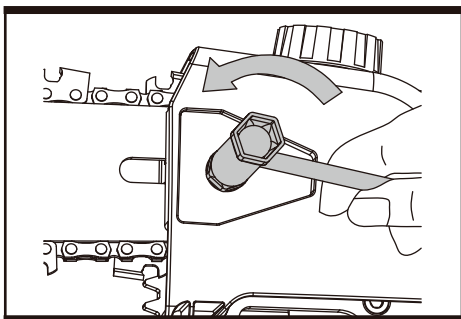
**Fig.F3**



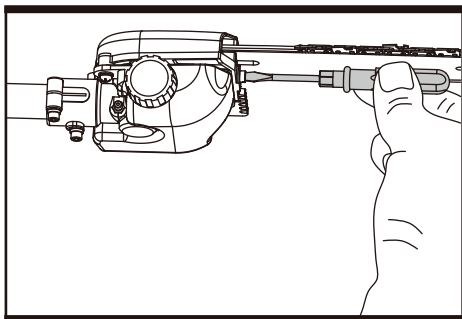
**Fig.G1**



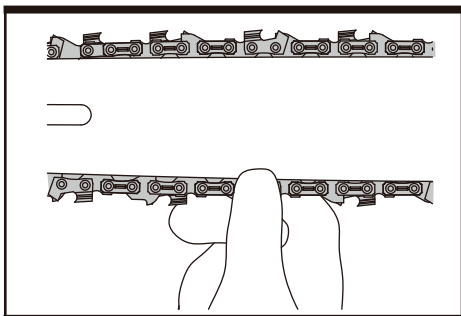
**Fig.G2**



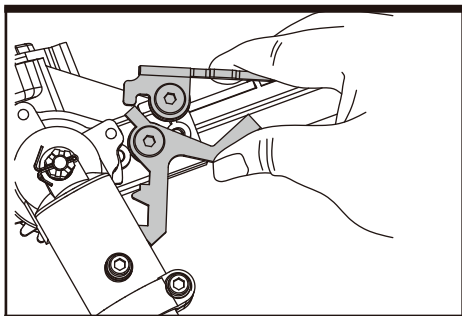
**Fig.H1**



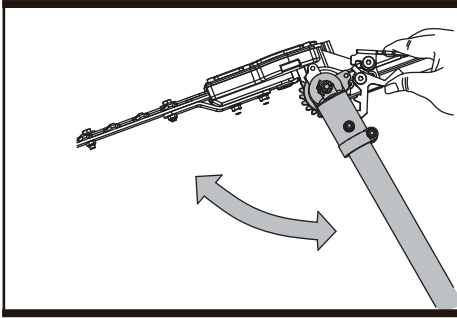
**Fig.H2**



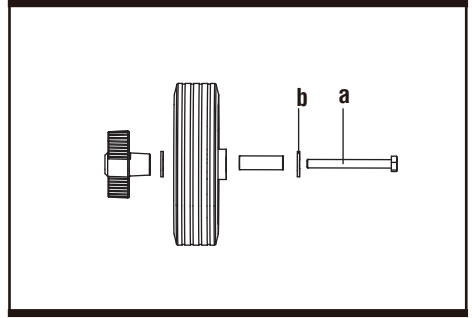
**Fig.H3**



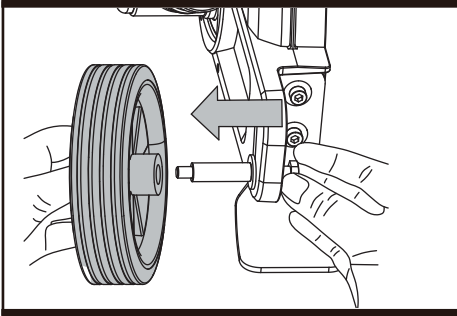
**Fig.I1**



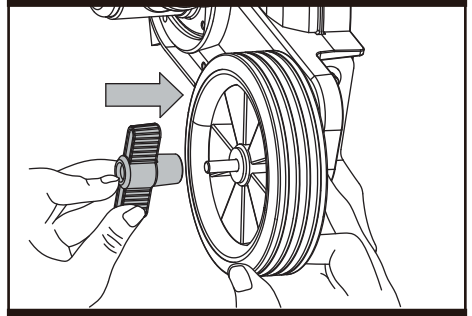
**Fig.I2**



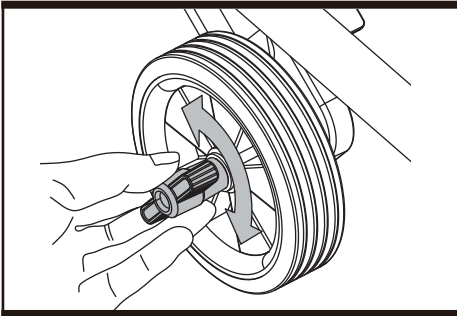
**Fig.J1**



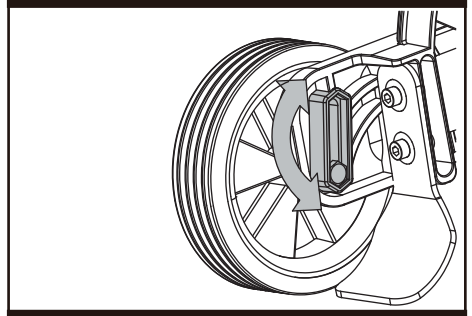
**Fig.J2**



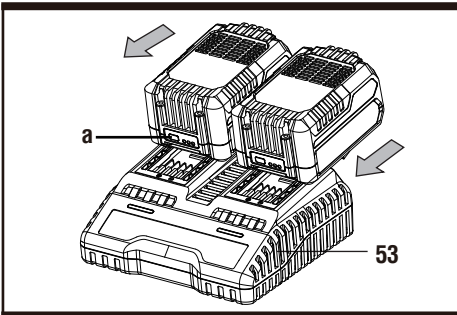
**Fig.J3**



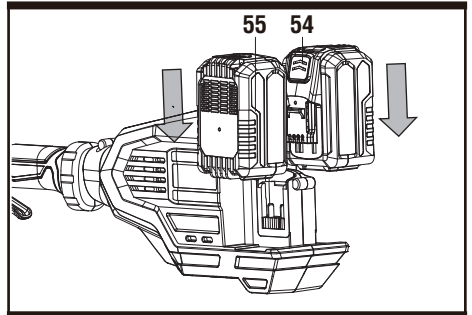
**Fig.K1**



**Fig.K2**

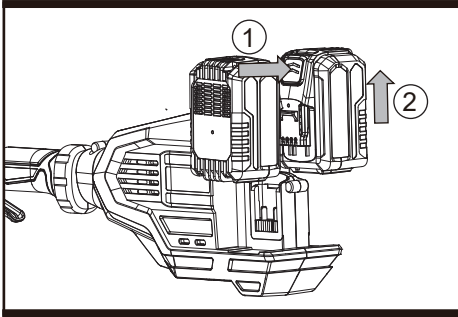


**Fig.L1**

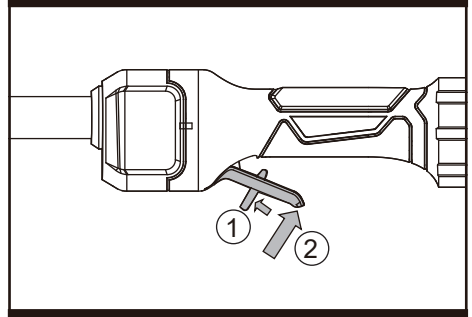


**Fig.L2**

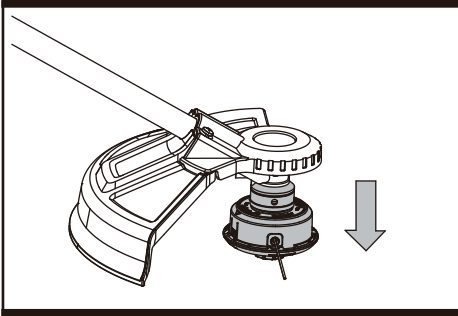




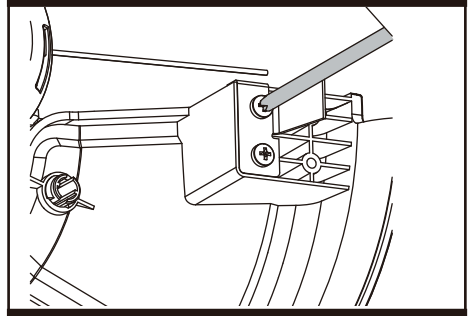
**Fig.L3**



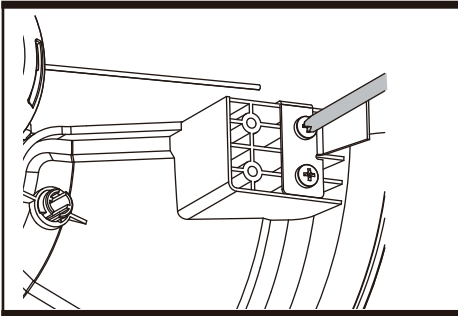
**Fig.L4**



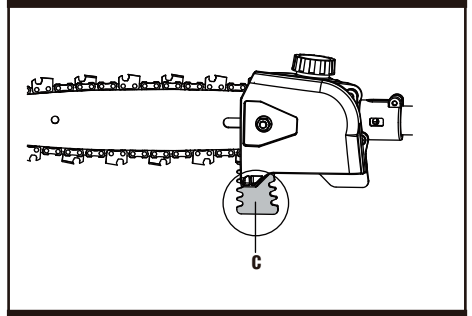
**Fig.M1**



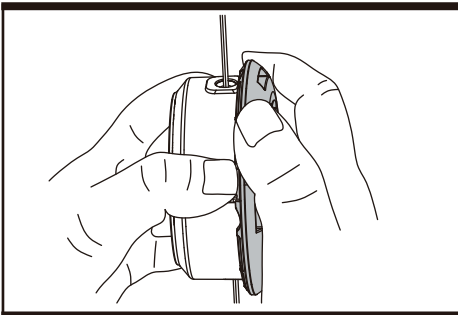
**Fig.M2**



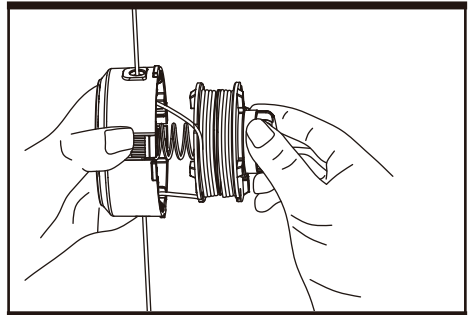
**Fig.M3**



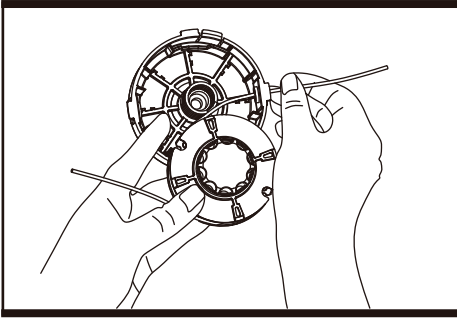
**Fig.N**



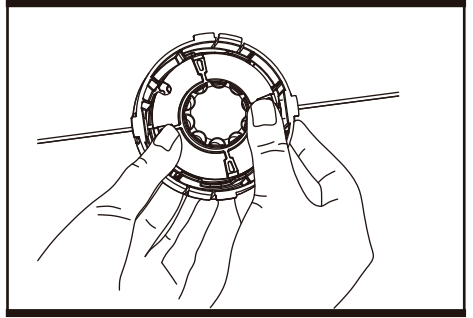
**Fig.O1**



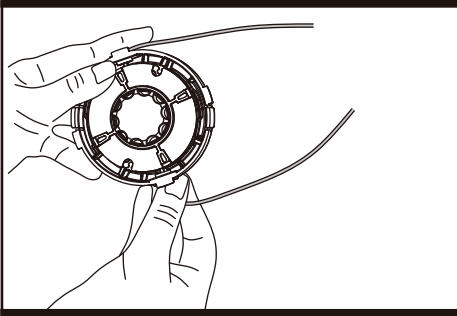
**Fig.O2**



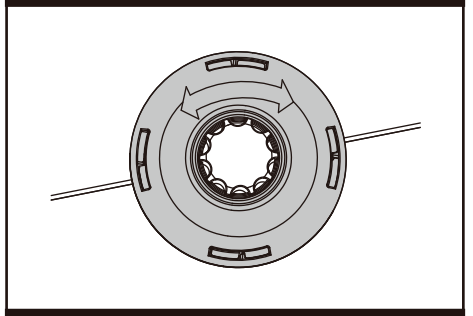
**Fig.03**



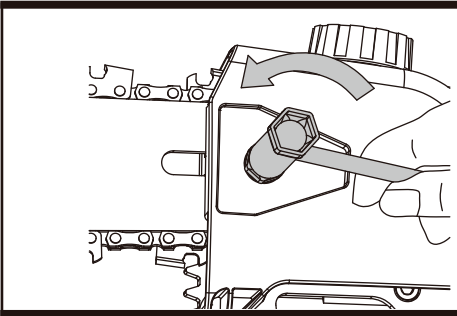
**Fig.04**



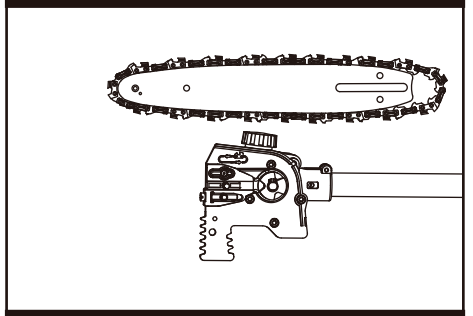
**Fig.05**



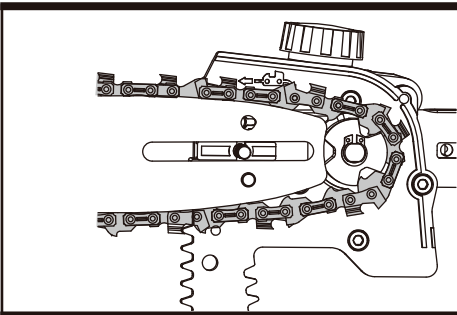
**Fig.06**



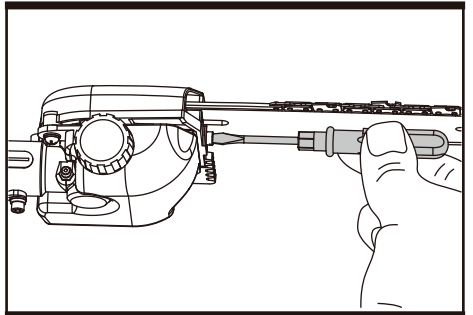
**Fig.P1**



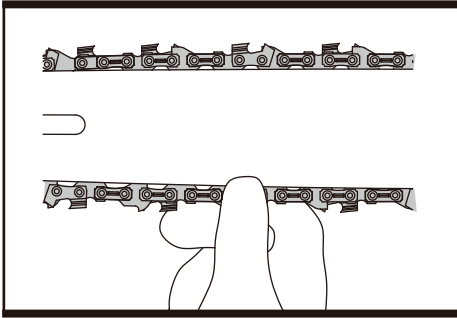
**Fig.P2**



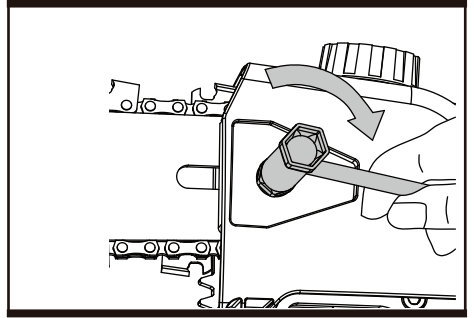
**Fig.P3**



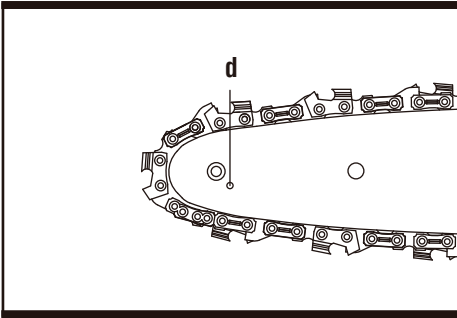
**Fig.P4**



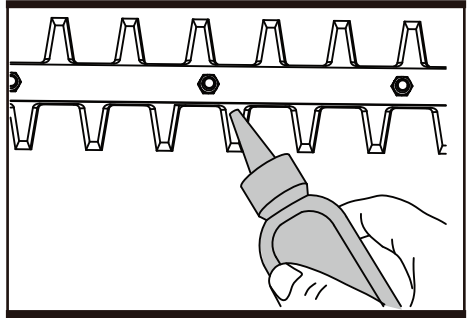
**Fig.P5**



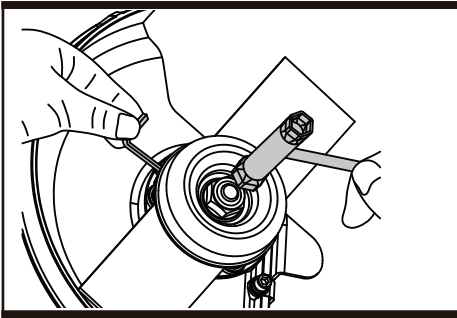
**Fig.P6**



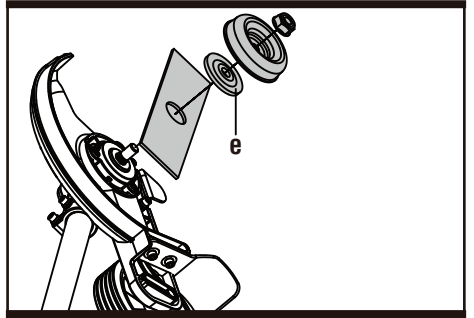
**Fig.Q**



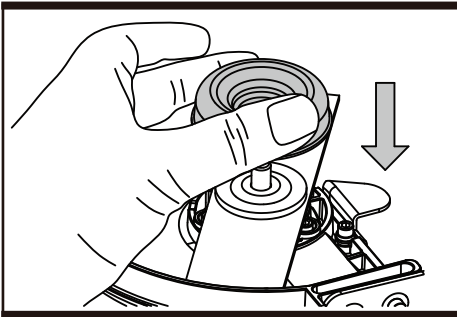
**Fig.R**



**Fig.S1**



**Fig.S2**





**Fig.S3**

## COMPONENT LIST

1.	Shaft locking knob	28.	Oil tank cap
2.	P handle middle clamp	29.	Pole saw shaft
3.	Eyelet	30.	Chain cover lock nut
4.	Upper shaft	31.	Bumper spike
5.	Safety locking button	32.	Oil tank
6.	On/Off trigger lever	33.	Chain tension adjustment screw
7.	Battery insert	34.	Oil adjustment screw
8.	Grass trimmer line	35.	Guide bar cover
9.	Grass trimmer spool	36.	Sprocket
10.	Protector	37.	Safety lever
11.	Motor head	38.	Blade protection covers
12.	Inner flange	39.	Trimmer blade
13.	Grass trimmer/Brush cutter shaft	40.	Pole hedge trimmer shaft
14.	Lower shaft release button	41.	Wrench (10 mm/13 mm)
15.	Clip-on grass trimmer/Brush cutter guard attachment	42.	Spindle lock rod
16.	Cutting knife	43.	Screwdriver
17.	Grass trimmer/Brush cutter guard	44.	Hex key (4mm)
18.	Brush cutter blade	45.	Shoulder strap
19.	Outer flange	46.	Shoulder strap hook
20.	Blade nut	47.	P handle upper clamp
21.	Edger blade	48.	P handle lower clamp
22.	Edger shaft	49.	Hex bolts for P handle (x 4 M5*30)
23.	Edger wheel	50.	Edger blade cover
24.	Edger wheel depth adjusting knob	51.	Edger blade cover lock nut
25.	Saw chain	52.	Bump knob (on the spool)
26.	Guide bar	53.	Charger (See Fig. L1)
27.	Chain cover	54.	Battery pack release button (See Fig. L2)
		55.	Battery pack (See Fig. L2)

## TECHNICAL DATA

Type WS8198.1 (81 - designation of machinery, representative of cordless garden multi tool)

Rated voltage:	2*18 V
Charger input (WS9919)	100-240V~50/60Hz, 50W
Charger output 1 & 2 (WS9919)	18V  2.0A (Total)
Charger protection class:	 /II
Charging time:	4.0 Ah (1pc): 2hrs 4.0 Ah (2pcs): 4hrs
Battery capacity (WS9940):	4.0 Ah Li-ion
Motor type:	Brushed
Weight	
with grass trimmer & battery packs:	5.26kg
with brush cutter & battery packs:	5.26kg
with pole saw & battery packs:	5.39kg
with pole hedge trimmer & battery packs:	5.99kg
with edger & battery packs:	5.79kg

## GRASS TRIMMER SPECIFICATIONS

Line length:	2*2.5 m
Line diameter:	2.0 mm
Line type:	Twist line
Cutting width:	330 mm / 380 mm
No load speed:	5600 / min
Line feed:	Bump feed

## BRUSH CUTTER SPECIFICATIONS

Blade / Cutting diameter:	230 mm
No load speed:	5700 / min

## POLE SAW SPECIFICATIONS

Chain pitch:	3/8" (0.95 cm)
Chain gauge:	0.043"
Chain type:	90X-1
Bar length:	305 mm
Bar type:	3/8 LP / .043
Chain speed:	14 m/s
Oil tank capacity:	135 ml
Cutting capacity:	254 mm

## POLE HEDGE TRIMMER SPECIFICATIONS

Blade length:	400 mm
Cutting length:	380 mm
Max. cutting diameter:	23 mm
No load speed:	1300 / min
Cutting angle adjustment:	12 position (165°)

## EDGER SPECIFICATIONS

Cutting depth:	70 mm
Cutting diameter:	225 mm
No load speed:	5800 / min
Blade type	Double-edged alloy steel

# NOISE AND VIBRATION DATA

## GRASS TRIMMER

A weighted sound pressure	$L_{PA}$ : 81.01 dB(A)
	$K_{PA}$ : 3 dB(A)
A weighted sound power	$L_{WA}$ : 94.01 dB(A)
	$K_{WA}$ : 1.32 dB(A)
<b>Wear ear protection.</b>	

## BRUSH CUTTER

A weighted sound pressure	$L_{PA}$ : 86 dB(A)
	$K_{PA}$ : 3 dB(A)
A weighted sound power	$L_{WA}$ : 95.85 dB(A)
	$K_{WA}$ : 3 dB(A)
<b>Wear ear protection.</b>	

## POLE SAW

A weighted sound pressure	$L_{PA}$ : 96 dB(A)
	$K_{PA}$ : 3 dB(A)
A weighted sound power	$L_{WA}$ : 100.03 dB(A)
	$K_{WA}$ : 3 dB(A)
<b>Wear ear protection.</b>	

## POLE HEDGE TRIMMER

A weighted sound pressure	$L_{PA}$ : 84 dB(A)
	$K_{PA}$ : 3 dB(A)
A weighted sound power	$L_{WA}$ : 91.76 dB(A)
	$K_{WA}$ : 3 dB(A)
<b>Wear ear protection.</b>	

## EDGER

A weighted sound pressure	$L_{PA}$ : 80 dB(A)
	$K_{PA}$ : 3 dB(A)
A weighted sound power	$L_{WA}$ : 92.92 dB(A)
	$K_{WA}$ : 3 dB(A)
<b>Wear ear protection.</b>	

# VIBRATION INFORMATION

Vibration emission value:  $a_h = 4.0 \text{ m/s}^2$  (MAX) (Main handle)  
 $a_v = 3.9 \text{ m/s}^2$  (MAX) (Auxiliary handle)

Uncertainty  $K = 1.5 \text{ m/s}^2$

The declared vibration total value and the declared noise emission value have been measured in accordance with a standard test method and may be used for comparing one tool with another.

The declared vibration total value and the declared noise emission value may also be used in a preliminary assessment of exposure.



**WARNING:** The vibration and noise emissions during actual use of the power tool can differ from the declared value depending on the ways in which the tool is used especially what kind of workpiece is processed dependant on the following examples and other

variations on how the tool is used:

How the tool is used and the materials being cut or drilled.

The tool being in good condition and well maintained.

The use of the correct accessory for the tool and ensuring it is sharp and in good condition.

The tightness of the grip on the handles and if any anti vibration and noise accessories are used.

And the tool is being used as intended by its design and these instructions.

**This tool may cause hand-arm vibration syndrome if its use is not adequately managed.**



**WARNING:** To be accurate, an estimation of exposure level in the actual conditions of use should also take account of all parts of the operating cycle such as the times when the tool is switched off and when it is running idle but not actually doing the job. This may significantly reduce the exposure level over the total working period.

Helping to minimise your vibration and noise exposure risk.

Always use sharp chisels, drills and blades.

Maintain this tool in accordance with these instructions and keep well lubricated (where appropriate).

If the tool is to be used regularly then invest in anti vibration and noise accessories.

Plan your work schedule to spread any high vibration tool use across a number of days.

## ACCESSORIES

Motor head	1
Pole saw attachment	1
Edger attachment	1
Pole hedge trimmer attachment	1
Brush cutter / grass trimmer attachment	1
Spool with line	1
Brush cutter blade	1
Grass trimmer / brush cutter guard	1
Chainsaw bar cover	1
Shoulder strap	1
Hedge trimmer blade covers	2
P handle (+ 4 x bolts M5*30)	1
Tool assembly kit	1
Battery pack (WS9940)	2
Charger (WS9919)	1

We recommend that you purchase your accessories listed in the above list from the same store that sold you the tool. Refer to the accessory packaging for further details. Store personnel can assist you and offer advice.

# USERS CAN VIEW THE ELECTRONIC INSTRUCTIONS AT [WWW.WESCO-TOOLS.COM](http://WWW.WESCO-TOOLS.COM).

## PRODUCT SAFETY GENERAL POWER TOOL SAFETY WARNINGS



**WARNING:** Read all safety warnings, instructions, illustrations and specifications provided with this power tool. Failure to follow all instructions listed below may result in electric shock, fire and/or serious injury.

Save all warnings and instructions for future reference.

The term "power tool" in the warnings refers to your mains-operated (corded) power tool or battery-operated (cordless) power tool.

### 1) WORK AREA SAFETY

- a) **Keep work area clean and well lit.** *Cluttered or dark areas invite accidents.*
- b) **Do not operate power tools in explosive atmospheres, such as in the presence of flammable liquids, gases or dust.** *Power tools create sparks which may ignite the dust or fumes.*
- c) **Keep children and bystanders away while operating a power tool.** *Distractions can cause you to lose control.*

### 2) ELECTRICAL SAFETY

- a) **Power tool plugs must match the outlet. Never modify the plug in any way. Do not use any adapter plugs with earthed (grounded) power tools.** *Unmodified plugs and matching outlets will reduce risk of electric shock.*
- b) **Avoid body contact with earthed or grounded surfaces, such as pipes, radiators, ranges and refrigerators.** *There is an increased risk of electric shock if your body is earthed or grounded.*
- c) **Do not expose power tools to rain or wet conditions.** *Water entering a power tool will increase the risk of electric shock.*
- d) **Do not abuse the cord. Never use the cord for carrying, pulling or unplugging the power tool. Keep cord away from heat, oil, sharp edges or moving parts.** *Damaged or entangled cords increase the risk of electric shock.*
- e) **When operating a power tool outdoors, use an extension cord suitable for outdoor use.** *Use of a cord suitable for outdoor use reduces the risk of electric shock.*
- f) **If operating a power tool in a damp location is unavoidable, use a residual current device (RCD) protected supply.** *Use of an RCD reduces the risk of electric shock.*

### 3) PERSONAL SAFETY

- a) **Stay alert, watch what you are doing and use common sense when operating a power tool. Do not use a power tool while you are tired or under the influence of drugs, alcohol or medication.** *A moment of inattention while operating power tools may result in serious personal injury.*
- b) **Use personal protective equipment. Always wear eye protection.** *Protective equipment such as dust mask, non-skid safety shoes, hard hat, or hearing protection used for appropriate conditions will reduce personal injuries.*
- c) **Prevent unintentional starting. Ensure the switch is in the off-position before connecting to power source and/or battery pack, picking up or carrying the tool.** *Carrying power tools with your finger on the switch or energising power tools that have the switch on invites accidents.*
- d) **Remove any adjusting key or wrench before turning the**

power tool on. A wrench or a key left attached to a rotating part of the power tool may result in personal injury.

- e) **Do not overreach. Keep proper footing and balance at all times.** *This enables better control of the power tool in unexpected situations.*
- f) **Dress properly. Do not wear loose clothing or jewellery. Keep your hair and clothing away from moving parts.** *Loose clothes, jewellery or long hair can be caught in moving parts.*
- g) **If devices are provided for the connection of dust extraction and collection facilities, ensure these are connected and properly used.** *Use of dust collection can reduce dust-related hazards.*
- h) **Do not let familiarity gained from frequent use of tools allow you to become complacent and ignore tool safety principles.** *A careless action can cause severe injury within a fraction of a second.*

### 4) POWER TOOL USE AND CARE

- a) **Do not force the power tool. Use the correct power tool for your application.** *The correct power tool will do the job better and safer at the rate for which it was designed.*
- b) **Do not use the power tool if the switch does not turn it on and off.** *Any power tool that cannot be controlled with the switch is dangerous and must be repaired.*
- c) **Disconnect the plug from the power source and/or remove the battery pack, if detachable, from the power tool before making any adjustments, changing accessories, or storing power tools.** *Such preventive safety measures reduce the risk of starting the power tool accidentally.*
- d) **Store idle power tools out of the reach of children and do not allow persons unfamiliar with the power tool or these instructions to operate the power tool.** *Power tools are dangerous in the hands of untrained users.*
- e) **Maintain power tools and accessories. Check for misalignment or binding of moving parts, breakage of parts and any other condition that may affect the power tool's operation. If damaged, have the power tool repaired before use.** *Many accidents are caused by poorly maintained power tools.*
- f) **Keep cutting tools sharp and clean.** *Properly maintained cutting tools with sharp cutting edges are less likely to bind and are easier to control.*
- g) **Use the power tool, accessories and tool bits etc. in accordance with these instructions, taking into account the working conditions and the work to be performed.** *Use of the power tool for operations different from those intended could result in a hazardous situation.*
- h) **Keep handles and grasping surfaces dry, clean and free from oil and grease.** *Slippery handles and grasping surfaces do not allow for safe handling and control of the tool in unexpected situations.*

### 5) BATTERY TOOL USE AND CARE

- a) **Recharge only with the charger specified by the manufacturer.** *A charger that is suitable for one type of battery pack may create a risk of fire when used with another battery pack.*
- b) **Use power tools only with specifically designated battery packs.** *Use of any other battery packs may create a risk of injury and fire.*
- c) **When battery pack is not in use, keep it away from other metal objects, like paper clips, coins, keys, nails, screws or other small metal objects, that can make a connection from one terminal to another.** *Shorting the battery terminals together may cause burns or a fire.*
- d) **Under abusive conditions, liquid may be ejected from the**



battery; avoid contact. If contact accidentally occurs, flush with water. If liquid contacts eyes, additionally seek medical help. Liquid ejected from the battery may cause irritation or burns.

- e) Do not use a battery pack or tool that is damaged or modified. Damaged or modified batteries may exhibit unpredictable behaviour resulting in fire, explosion or risk of injury.
  - f) Do not expose a battery pack or tool to fire or excessive temperature. Exposure to fire or temperature above 265°F (130 °C) may cause explosion.
  - g) Follow all charging instructions and do not charge the battery pack or tool outside the temperature range specified in the instructions. Charging improperly or at temperatures outside the specified range may damage the battery and increase the risk of fire.
- 6) SERVICE
- a) Have your power tool serviced by a qualified repair person using only identical replacement parts. This will ensure that the safety of the power tool is maintained.
  - b) Never service damaged battery packs. Service of battery packs should only be performed by the manufacturer or authorized service providers.

## HEDGE TRIMMER SAFETY WARNINGS

- a) Do not use the hedge trimmer in bad weather conditions, especially when there is a risk of lightning. This decreases the risk of being struck by lightning.
- b) Keep all power cords and cables away from cutting area. Power cords or cables may be hidden in hedges or bushes and can be accidentally cut by the blade.
- c) Wear ear protection. Adequate protective equipment will reduce the risk of hearing loss.
- d) Hold the hedge trimmer by insulated gripping surfaces only, because the blade may contact hidden wiring. Blades contacting a "live" wire may make exposed metal parts of the hedge trimmer "live" and could give the operator an electric shock.
- e) Keep all parts of the body away from the blade. Do not remove cut material or hold material to be cut when blades are moving. Blades continue to move after the switch is turned off. A moment of inattention while operating the hedge trimmer may result in serious personal injury.
- f) When clearing jammed material or servicing the hedge trimmer, make sure all power switches are off and the battery pack is removed or disconnected. Unexpected actuation of the hedge trimmer while clearing jammed material or servicing may result in serious personal injury.
- h) Carry the hedge trimmer by the handle with the blade stopped and taking care not to operate any power switch. Proper carrying of the hedge trimmer will decrease the risk of inadvertent starting and resultant personal injury from the blades.
- i) When transporting or storing the hedge trimmer, always use the blade cover. Proper handling of the hedge trimmer will decrease the risk of personal injury from the blades.
- j) Check the hedges and bushes for foreign objects, e.g. wire fences and hidden wiring.
- k) Hold the hedge trimmer properly, e.g. with both hands if two handles are provided.
- l) The hedge trimmer is intended to be used by the operator at ground level and not on ladders or any other unstable support.
- m) Before operating the hedge trimmer, the user should make sure the locking device(s) of any moving elements (e.g. the extended shaft and pivoting element), if any, are in the locked position.

- n) Have any adjustable stopping mechanism maintained at regular intervals.

## EXTENDED-REACH HEDGE TRIMMER SAFETY WARNINGS

- a) Always use head protection when operating the extended-reach hedge trimmer overhead. Falling debris can result in serious personal injury.
- b) Always use two hands when operating the extended-reach hedge trimmer. Hold the extended-reach hedge trimmer with both hands to avoid loss of control.
- c) To reduce the risk of electrocution, never use the extended-reach hedge trimmer near any electrical power lines. Contact with or use near power lines may cause serious injury or electric shock resulting in death.

## POLE SAW SAFETY WARNINGS

1. Keep the pole saw a sufficient distance away from overhead electrical power lines.
2. Be aware of the dangerous of operating positions, as well as the risk of being struck by falling branches or branches that, having hit the ground, rebound, the operator may be struck by falling branches or by those that rebound after hitting the ground. Remove the branches in sections.

## BRUSH CUTTER SAFETY WARNINGS

1. Do not use the machine when the operator is tired, ill or under the influence of alcohol or other drugs.
2. Keep a firm footing and balance during operating. Use the harness provided.
3. Replace cutting blade if cracked, chipped, or damaged in any way. Be sure the blade is properly installed and securely fastened. Failure to do so can cause serious injury.
4. Keep away from cutting blade. Even after the motor has stopped, the cutting blade will continue to rotate for several seconds. Please wait until cutting blade has fully stopped before putting the machine down or accessing the cutting area.
5. Switch off the machine when not cutting. Never leave the machine running when unattended.

## GRASS TRIMMER SAFETY WARNINGS

 **WARNING: Read all safety warnings and all instructions.** Failure to follow the warnings and instructions may result in electric shock, fire and/or serious injury.

Save all warnings and instructions for future reference. The appliance is only to be used with the power supply unit provided with the appliance.

**IMPORTANT  
READ CAREFULLY BEFORE USE.  
KEEP FOR FUTURE REFERENCE.**

### Safe operation practices

- 1) Training
  - a) Read the instructions carefully. Be familiar with the controls and the correct use of the machine.
  - b) Never allow children, persons with reduced physical, sensory or mental capabilities or lack of experience and knowledge or

people unfamiliar with these instructions to use the machine, local regulations may restrict the age of the operator.

- c) Keep in mind that the operator or user is responsible for accidents or hazards occurring to other people or their property.
- 2) Preparation**
- a) Before use, always visually inspect the machine for damaged, missing or misplaced guards or shields.
  - b) Never operate the machine while people, especially children, or pets are nearby.
- 3) Operation**
- a) Wear eye protection, long trousers and stout shoes at all times while operating the machine.
  - b) Avoid using the machine in bad weather conditions especially when there is a risk of lightning.
  - c) Use the machine only in daylight or good artificial light.
  - d) Never operate the machine with damaged guards or shields or without guards or shields in place.
  - e) Switch on the motor only when the hands and feet are away from the cutting means.
  - f) Always disconnect the machine from the power supply (e.g. remove the battery pack from the machine)
    - 1) whenever the machine is left unattended;
    - 2) before clearing a blockage;
    - 3) before checking, cleaning or working on the machine;
    - 4) after striking a foreign object;
    - 5) whenever the machine starts vibrating abnormally.
  - g) Take care against injury to feet and hands from the cutting means. h) Always ensure that the ventilation openings are kept clear of debris.
  - i) Never fit metal cutting elements.
  - j) Always be sure of your footing on slopes.
  - k) Walk, never run.
  - l) Not overreach and keep the balance at all times.
  - m) Not to touch moving hazardous parts before removing the battery pack from the machine and the moving hazardous parts have come to a complete stop.

**4) Maintenance and storage**

- a) Disconnect the machine from the power supply (e.g. remove the battery pack from the machine) before carrying out maintenance or cleaning work.
- b) Use only the manufacturer's recommended replacement parts and accessories.
- c) Inspect and maintain the machine regularly. Have the machine repaired only by an authorized repairer.
- d) When not in use, store the machine out of the reach of children.

## SAFETY INSTRUCTIONS FOR EDGERS

**1. Training**

- a) Read the instructions carefully. Be familiar with the controls and the proper use of the equipment.
- b) Never allow children or people unfamiliar with these instructions to use the edger. Local regulations may restrict the age of the operator.
- c) Never edge while people, especially children, or pets are nearby.
- d) Keep in mind that the operator or user is responsible for accidents or hazards occurring to other people or their property.

**2. Preparation**

- a) While edging, always wear eye and ear protection, substantial foot wear, and long trousers.
- b) Thoroughly inspect the surface where the equipment is to be used and remove all stones, sticks, wires, bones and other foreign objects.
- c) Before using, always visually inspect to see that the blades, blade bolts and cutter assembly are not worn or damaged. Replace worn or damaged blades and bolts in sets to preserve balance.
- d) Use only manufacturer-recommended replacement parts and accessories.

**3. Operation**

- a) Edge only in daylight or in good artificial light.
- b) Always be sure of your footing on slopes.
- c) Walk, never run.
- d) Use extreme caution when reversing or pulling the edger toward you.
- e) Make sure the blade has stopped before crossing surfaces other than grass and when transporting the edger to and from the area to be edged.
- f) Never operate the edger with defective, missing or incorrectly fitted guards.
- g) Switch on the motor carefully according to instructions and with feet well away from the blade(s).
- h) Do not tilt when switching on the motor, unless the edger has to be tilted for starting. In this case, do not tilt it more than absolutely necessary and lift only the part which is away from the operator.
- i) Do not switch on the motor when a bystander is standing in front of the blade(s).
- j) Do not put hands or feet near or under rotating parts.
- k) Always switch off the electric motor and remove battery pack from the machine:
  - 1) before clearing blockages;
  - 2) before checking, cleaning or working on the blade(s);
  - 3) after striking a foreign object: inspect the blade(s) for damage and make repairs before restarting and operating the edger;
  - 4) if edger starts to vibrate abnormally (check immediately).
- l) Always remove battery pack from the machine whenever you leave the edger.
- m) Always ensure that the ventilation openings are kept clear of debris.

**4. Maintenance and storage**

- a) Keep all nuts, bolts and screws tight to be sure the equipment is in safe working conditions.
- b) Replace worn or damaged parts.
- c) Do not attempt to repair the machine unless you are competent to do so.
- d) Use only manufacturer-recommended replacement parts and accessories.
- e) When not in use, store the edger out of the reach of children.
- f) Inspect and maintain the edger regularly. Have the edger repaired only by an authorized repairer.

**Residual risk**

Even if you use the 2 x 18V 5-in-1 Cordless Garden Multi Tool properly per the instructions provided and following all safety notes, there are always residual risks. The following risk may occur:  
- Accidental Starting: Always remove the battery packs from the device before carrying out any adjustment, servicing or

maintenance. When not in use, store the battery packs in a safe, dry, clean environment.

Reduce residual risks by using the 2 x 18V 5-in-1 Cordless Garden Multi Tool with care and following all safety notes as well as other instructions.

## SAFETY WARNINGS FOR BATTERY PACK

- a) Do not dismantle, open or shred cells or battery pack.
- b) Do not short-circuit a battery pack. Do not store battery packs haphazardly in a box or drawer where they may short-circuit each other or be short-circuited by conductive materials. When battery pack is not in use, keep it away from other metal objects, like paper clips, coins, keys, nails, screws or other small metal objects, that can make a connection from one terminal to another. Shorting the battery terminals together may cause burns or a fire.
- c) Do not expose battery pack to heat or fire. Avoid storage in direct sunlight.
- d) Do not subject battery pack to mechanical shock.
- e) In the event of battery leaking, do not allow the liquid to come into contact with the skin or eyes. If contact has been made, wash the affected area with copious amounts of water and seek medical advice.
- f) Keep battery pack clean and dry.
- g) Wipe the battery pack terminals with a clean dry cloth if they become dirty.
- h) Battery pack needs to be charged before use. Always refer to this instruction and use the correct charging procedure.
- i) Do not maintain battery pack on charge when not in use.
- j) After extended periods of storage, it may be necessary to charge and discharge the battery pack several times to obtain maximum performance.
- k) Recharge only with the charger specified by WESCO. Do not use any charger other than that specifically provided for use with the equipment.
- l) Do not use any battery pack which is not designed for use with the equipment.
- m) Keep battery pack out of the reach of children.
- n) Retain the original product literature for future reference.
- o) Remove the battery from the equipment when not in use.
- p) Dispose of properly.
- q) Do not mix cells of different manufacture, capacity, size or type within a device.
- r) Keep the battery away from microwaves and high pressure.
- s) Warning! Do not use non-rechargeable batteries.

## GENERAL SAFETY WARNINGS

 **WARNING! Read all safety warnings and all instructions.** Failure to follow the warnings and instructions may result in electric shock, fire and/or serious injury. Save all warnings and instructions for future reference.

This appliance can be used by children aged from 8 years and above and persons with reduced physical, sensory or mental capabilities or lack of experience and knowledge if they have been given supervision or instruction concerning use of the appliance in a safe way and understand the hazards involved. Children shall not play with the appliance. Cleaning and user maintenance shall not be made by children without supervision.

If the supply cord is damaged, it must be replaced by the manufacturer, its service agent or similarly qualified persons in order to avoid a hazard.

## ADDITIONAL SAFETY INSTRUCTIONS FOR YOUR BATTERY CHARGER

1. Before charging, read the instructions.
2. Do not charge a leaking battery.
3. Do not use chargers for works other than those for which they are designed.
4. Before charging, ensure your charger is matching the local AC supply.
5. For indoor use, or do not expose to rain.
6. The charging device must be protected from moisture.
7. Do not use the charging device in the open.
8. Do not short out the contacts of battery or charger.
9. Respect the polarity "+/-" when charging.
10. Do not open the unit and keep out of the reach of children.
11. Do not charge the batteries of other manufactures or ill-suited models.
12. Ensure that the connection between the battery charger and battery is correctly positioned and is not obstructed by foreign bodies.
13. Keep battery charger's slots are free of foreign objects and protect against dirt and humidity. Store in a dry and frost-free place.
14. When charging batteries, ensure that the battery charger is in a well-ventilated area and away from inflammable materials. Batteries can get hot during charging. Do not overcharge any batteries. Ensure that batteries and chargers are not left unsupervised during charging.
15. Do not recharge non-rechargeable batteries, as they can overheat and break.
16. Longer life and better performance can be obtained if the battery pack is charged when the air temperature is between 18°C and 24°C. Do not charge the battery pack in air temperatures below 0°C, or above 40°C. This is important as it can prevent serious damage to the battery pack.
17. Charge only battery pack of the same model provided by WESCO and of models recommended by WESCO.

## SYMBOLS



To reduce the risk of injury, user must read instruction manual



Wear ear protection



Wear eye protection



Wear dust mask



Do not expose to rain



Keep hands away from blade



Wear head protection



Keep sufficient distance away from electrical power lines



Read operator's manual



Keep bystanders away



Protective gloves



Protective footwear



Wear protective clothing



The distance between the machine and bystanders shall be at least 15 m



Beware of thrown objects



Beware of blade thrust



Keep bystanders at a safe distance



Wear ear and eye protection



Direction of edger blade rotation



Thrown objects



Rotating cutting blade



Wear ear and eye protection



Warning



Li-Ion battery This product has been marked with a symbol relating to 'separate collection' for all battery packs and battery pack. It will then be recycled or dismantled in order to reduce the impact on the environment. Battery packs can be hazardous for the environment and for human health since they contain hazardous substances.



Batteries may enter water cycle if disposed improperly, which can be hazardous for ecosystem. Do not dispose of waste batteries as unsorted municipal waste.



Do not burn.



Double insulation (only for charger)



Indoor use only (only for charger)



Read the operator's manual



Positive terminal



Negative terminal



Fuse



Waste electrical products must not be disposed of with household waste. Please recycle where facilities exist. Check with your local authorities or retailer for recycling advice.

# OPERATION INSTRUCTIONS



**WARNING:** To reduce the risk of injury, user must read instruction manual.

## INTENDED USE

- 1) Brush cutter: With the cutter blade attached, the product is intended to cut heavier weeds, brush and similar vegetation.
- 2) Grass trimmer: With the line spool attached the product is intended to cut smaller types of weed, lawn grass or similar soft vegetation. It must not be used to work on unusually thick, dry or wet grass, e.g. pasture grass, or to shred leaves.
- 3) Edger: With the edger attached the product is intended for edging around walkways, driveways, flower beds, etc.
- 4) Pole hedge trimmer: With the hedge trimmer blade attached the product is intended for trimming wide and high hedges, bushes and shrubs.
- 5) Pole saw: With the saw chain/guide bar assembly attached the product is intended for cutting limbs.

## ASSEMBLY



**WARNING:** Regardless of how you use the product, you must install the handle and attach the shoulder strap before using it.

### 1. MOUNTING THE P HANDLE



**CAUTION:** The devices must not be operated before it has been assembled completely.



**CAUTION:** Do not insert the battery packs until the tool has been completely assembled.

- 1) Loosen and remove the 4 hex bolts (49) for the P handle lower clamp (48). (Fig. A1)
- 2) Locate the P handle middle clamp (2) on the upper shaft, and place the P handle lower clamp groove aligns with the P handle middle clamp groove. (Fig. A2)
- 3) Place the P handle lower clamp (48) over the underside of the P handle middle clamp (2) so that the P handle lower clamp (48) aligns with the P handle middle clamp (2). (Fig. A2)
- 4) Place the P handle upper clamp (47) over the P handle lower clamp (48), place the 4 hex bolts for the P handle (49) into the 4 aligned holes of the P handle upper clamp (47) and P handle lower clamp (48). (Fig. A3)
- 5) Tighten the P handle by screwing the 4 bolts, in a clockwise direction, with the 4mm hex key (44) provided. (Fig. A4)

### 2. ATTACHING THE SHOULDER STRAP

Secure the shoulder strap hook (46) of the shoulder strap (45) to the eyelet (3) on the shaft (Fig. B).

It is recommended to always attach the shoulder strap (45) when using the tool.



**IMPORTANT:** Never attach the shoulder strap diagonally across your shoulder and your chest, but rather place it on one of your shoulders. In this way you can remove the devices quickly from your body in case of danger.

### 3. CONNECTING THE LOWER SHAFT TO THE UPPER SHAFT

- 1) Loosen the shaft locking knob (1) by turning it anti-clockwise. (Fig. C1)
- 2) Line up the hole in the upper shaft sleeve, with the lower shaft release button (14) and start to insert the lower shaft into the

upper shaft (4). Rotate the shaft up and down slightly until the lower shaft release button (14) engages in the hole in the lower shaft sleeve. When engaged you will hear a click when it locks into place. (Fig. C2)

**NOTE:** Ensure you check that the lower shaft can not be pulled outwards when the lock is correctly engaged.

- 3) When the shaft is located, retighten the shaft locking knob by turning it clockwise. (Fig. C3)

## 4. PREPARING THE PRODUCT

The product has four attachments, which you can combine with the motor head (11) to create different work tools: a brush cutter or grass trimmer, a pole saw, a pole hedge trimmer or an edger. Prepare the various attachments for use as follows:

### 5. PREPARING THE GRASS TRIMMER AND BRUSH CUTTER



**WARNING:** When using the brush cutter or grass trimmer, the guard (parts 15&17) must be installed.

The attachment for the brush cutter and grass trimmers is one single attachment that you can combine with the motor head (11). The attachment itself has two interchangeable cutting devices: the gear box head used with the grass trimmer spool (9) used for trimming and cutting lawns and weeds etc, and the gear box head used with the brush cutter blade (18) used for cutting thicker weeds and vegetation.

The use of both these functions requires that the guard (parts 15&17) is assembled onto the gear box head.

Do not use the attachment without the guard (parts 15&17) assembled as follows:

- 1) Insert the grass trimmer/brush cutter shaft (13) into the slot on the lower part of the clip-on grass trimmer guard attachment (15) so that the shaft is located above it and the screw holes on the shaft align with the holes on the clip-on grass trimmer guard attachment (15). (Fig. D1)
- 2) Fix the brush cutter guard (17) on the lower part of the clip-on grass trimmer guard attachment (15) by inserting the pin on the brush cutter guard (17) through the hole provided on the clip-on grass trimmer guard attachment (15) so that the screw hole in the brush cutter guard (17) is over the screw hole in the clip-on grass trimmer guard attachment (15). (Fig. D2, D3)
- 3) Secure the three components together by turning the short screw on the combination tool clockwise using the wrench (41) (screwdriver part) provided. (Fig. D4)

### 6. GRASS TRIMMER ASSEMBLY

- 1) Place the protector (10) over the spindle so that the hole on the side of the protector (10) lies over one of the two recesses on the sides of the spindle. (Fig. E1)
- 2) Place the inner flange (12) with the recess over the protector (10). (Fig. E2)
- 3) Insert the spindle lock rod (42) through the hole on the side of the protector (10) to fix it in position securely. (Fig. E3)
- 4) Screw the grass trimmer spool (9) onto the spindle by turning it anti-clockwise. Hold the protector (10) in position with the spindle lock rod (42) so that it does not rotate with the grass trimmer spool (9). (Fig. E3) You have successfully installed the grass trimmer spool.

### 7. BRUSH CUTTER ASSEMBLY

- 1) Place the protector (10) over the spindle so that the hole on the side of the protector (10) lies over one of the two recesses on the sides of the spindle. (Fig. E1)
- 2) Place the brush cutter blade (18) over the protector (10) on the spindle. (Fig. F1)

- Place the inner flange (12) with the recess on top of the brush cutter blade (18). (Fig. F2)
- Place the outer flange (19) with the opening upwards over the inner flange (12) on the spindle. (Fig. F2)
- Insert the blade nut (20) on top of the outer flange (19), onto the spindle and tighten it by turning it anti-clockwise with the wrench (13 mm) (41) provided. (Fig. F3)

## 8. PREPARING THE POLE SAW



**WARNING:** The pole saw must never be operated without saw chain oil, as this will damage the pole saw and the motor.

**NOTE:** You have to buy the saw chain oil separately, it is not included. The oil level must also be checked regularly during work.

## 9. FILLING THE OIL TANK

- Remove the battery packs if you have already installed the battery packs.
- Open the oil tank cap (28) by turning it anti-clockwise. (Fig. G1)
- Fill a maximum of 135ml of saw chain oil into the oil tank (32).
- Replace the oil tank cap (28) and tighten by turning it clockwise.
- Check the oil level regularly and fill the oil tank with saw chain oil if necessary.
- To reduce or increase the oil flow from the oil tank to the chain, turn the oil adjustment screw (34). Turn it clockwise to increase and anti-clockwise to reduce the oil flow to the chain. (Fig. G2)



**WARNING:** Remove all saw chain oil from the oil tank if you are not going to use the pole saw for a long time. The oil tank should also be emptied before the pole saw is transported.

## 10. ADJUSTING THE CHAIN TENSION



**WARNING:** A saw chain that is not sufficiently tensioned or a saw chain that is too tensioned can cause serious injuries and damage to property.

**NOTE:** Check the chain tension before each use and adjust if necessary.

The pole saw is fully assembled when delivered, including guide bar and saw chain.

Adjusting the chain tension as follows:

- Remove the guide bar cover (35) from the guide bar (26) and saw chain (25).
- Loosen the chain cover (27) for the pole saw a little by turning the chain cover lock nut (30) anti-clockwise using the supplied wrench (10 mm) (41). Do not remove the chain cover (27). (Fig. H1)
- To increase the chain tension, turn the chain tension adjustment screw (33) clockwise. To reduce the chain tension, turn the chain tension adjustment screw (33) anti-clockwise. (Fig. H2)
- The correct chain tension is reached when the chain can be raised approx. 3-5 mm from the guide bar (26) in the center. This should be done by using one hand to raise the chain against the weight of the machine. Do not tension the chain too much. (Fig. H3)
- After adjusting the chain tension, re-tighten the chain cover lock nut (30) so the chain cover is secure.



**WARNING:** Adjust the chain tension immediately if the saw chain flutters or comes out of the guide bar groove.



**WARNING:** The chain tension has a great influence on the service life of the saw chain and guide bar.

Therefore, it must be checked regularly. When the saw chain warms up to operating temperature, the chain tension changes and must be readjusted. A new saw chain has to be retensioned more often until it has changed in length.

## 11. PREPARING THE POLE HEDGE TRIMMER

**NOTE:** Remove the blade protection covers (38) before using the pole hedge trimmer.



**WARNING:** Improper head angle can lead to serious injuries and cause damage to property. Do not use the device before adjusting the head angle.

## 12. ADJUSTING THE POLE HEDGE TRIMMER HEAD ANGLE

You can adjust the trimming angle (12 positions in total) according to your needs.

- Remove the battery packs if you have already installed the battery packs.
- Press and hold the safety lever (37) on the pole hedge trimmer. (Fig. I1)
- Push and hold the trimming head until it releases from the gear.
- Turn the trimming head to your required angle. (Fig. I2)
- Release the safety lever (37) to lock the trimming head at the desired angle. You have successfully adjusted the angle of the pole hedge trimmer.

## 13. PREPARING THE EDGER

### ASSEMBLING THE EDGER WHEEL



**WARNING:** The edger wheel is not assembled when delivered. Assemble the edger wheel before operation.

- Remove the battery packs if you have already installed the battery packs.
- Remove the edger wheel lock nut (a) and 2 x washers (b) from the edger wheel. (Fig. J1)
- Place the edger in position to assemble by aligning the edger wheel lock nut (a) and 2 x washers (b) on the outer side of the edger wheel mounting rail with the edger wheel. (Fig. J2)
- Once in position, insert the edger wheel lock nut (a) and 2 x washers (b) into the edger wheel through the edger wheel mounting rail. (Fig. J2)
- Install the edger wheel depth adjusting knob (24) and then fully tighten it by turning it clockwise. (Fig. J3)

### ADJUSTING THE EDGER DEPTH



**WARNING:** Improper edger depth can lead to serious injuries and cause damage to property. Do not use the device before adjusting the depth.

**NOTE:** Stop the motor and remove the battery packs before adjusting the depth of cut. You can adjust the depth of the edger according to your needs.

- Remove the battery packs if you have already installed the battery packs.
- Loosen the edger wheel depth adjusting knob (24) by turning it anti-clockwise. (Fig. K1)
- Move the wheel arm up to increase the depth or down to decrease the depth according to your work needs. (Fig. K2)
- After adjustment is complete, tighten the edger wheel depth adjusting knob (24) securely by turning it clockwise.

## BEFORE PUTTING INTO OPERATION

### 1. CHARGING THE BATTERY PACK

- Do not use any charger other than that specifically provided



for use with the equipment.





- b) If the battery pack is very hot you must remove your battery pack from the charger and allow time for the battery to cool down before recharging.
- c) The battery in your new tool is not charged when it leaves the plant. Therefore it must be full charged before using the first time.
- d) Please charge the battery to reach full or no less than half charge before storage. If the tool will not be used for long periods of time, charge the battery every 3-6 months.


#### CHARGING PROCEDURE (SEE FIG. L1)

- 1) Plug the charger into an appropriate outlet. The light will be green.
- 2) Slide the battery pack into the charger, the light will turn to red to indicate the charging process has started.
- 3) When charging is completed, the light will turn to green. The pack is now fully charged, unplug the charger and remove the battery pack.

#### CHARGING INDICATOR

This charger is designed to detect some problems that can arise with battery packs. Indicator lights indicate problems (see table below). If this occurs, insert a new battery pack to determine if the charger is OK. If the new battery charges correctly, then the original pack is defective and should be returned to a service center or recycling service center. If the new battery pack displays the same problem as the original Battery Pack, have the charger tested at an authorized service center.

Light	Status
Red on  	Charging
Green on  	Fully Charged

 **WARNING:** When battery charge runs out after continuously use or exposure to direct sunlight or heat, allow time for the tool to cool down before re-charging to achieve the full charge.

#### CHECKING THE POWER CONDITION OF BATTERY PACK (SEE FIG. L1)

The battery level can be known from the battery indicator light by pressing the button (a) beside the lights.

#### 2. REMOVING OR INSTALL THE BATTERY PACKS (SEE FIG. L2, L3)


Depress the battery release button to release battery packs from your tool. After recharging, insert the battery packs into tool's battery port. A simple push and slight pressure will be sufficient.

**NOTE:** This machine will only run when 2 batteries are installed. It is recommended to use the same two batteries and charge the two batteries at the same time.

#### OPERATION

##### 1. SWITCHING ON AND OFF

The device is equipped with a safety circuit. Press the safety locking button (5) first to unlock the tool, then press the on/off trigger lever (6) to start the tool. (Fig. L4)

 **WARNING:** The cutters on all attachments continue to run for a short time after being switched off. There is a risk of injury! Hold the device until the cutters stop. Do not put the device down before the cutters stop.

- 1) Hold the device with the right hand on the rear handle and left hand on the P handle.
- 2) No matter which attachment you use, make sure that nothing

touches the respective cutting device so that it can start up safely.

- 3) Press and hold the safety locking button (5) on the rear handle with your thumb.
- 4) Press the ON / OFF trigger lever (6) with the same hand.

**Attention: The device is on now!**

- 5) Release the ON / OFF trigger lever (6) to stop.

##### 2. USING THE GRASS TRIMMER (WITH SPOOL)

- 1) Hold the device with the right hand on the rear handle and left hand on the P handle.
- 2) Make sure your footing is firm. Keep feet apart. Divide your weight evenly on both feet.
- 3) Switch on the device as described in the chapter "Switching on and off".
- 4) Keep the trimmer head at an angle of about 30° to the ground when trimming.
- 5) Do not cut wet grass because it tends to stick to the trimmer head and guard, prevents proper discharge of grass clippings, and could cause you to slip and fall.
- 6) Regularly remove clippings and dirt around the trimmer head ONLY when the unit is switched off and the batteries are removed.
- 7) Work rhythmically, stand firmly with your feet apart. Cut from right to left so the trimmings will be thrown away from the work area.
- 8) When cutting longer /high grass, please make sure that you cut this down in 2 to 3 stages.
- 9) Do not move the trimmer too fast as this will result in ineffective cutting and possible damage.



**WARNING:** Make sure that line is fed out before operation. Make sure motor is up to full speed before trimming.



**WARNING:** Always wear eye protection. Never lean over the trimmer head. Rocks or debris can ricochet or be thrown into eyes and face and cause blindness or other serious injury.



**WARNING:** When operating device, check for the following: Wear eye protection and heavy clothing, and use the shoulder strap supplied. Hold front handle with one hand and P handle with the other hand. Keep the device below waist level. Work only from your right to your left to ensure debris is thrown away from you. Without bending over, keep line near and parallel to the ground and not crowded into material being cut.

##### 3. ADJUSTING THE LINE LENGTH ON THE SPOOL HEAD

When using the grass trimmer spool (9), the line wears out over time and you have to release new line from the grass trimmer spool (9). The grass trimmer spool (9) of this device allows the operator to release more cutting line without stopping the motor. Accelerate the line to the maximum speed and tap the bump knob (52) on the underside of the grass trimmer spool (9) on the ground while operating the trimmer. (Fig. M1)

##### 4. ADJUSTING CUTTING LINE WIDTH

The trimmer head allows the operator to release more cutting line without stopping the motor. As line becomes frayed or worn, additional line can be released by lightly tapping the bump knob (52) on the ground while operating the trimmer.

**NOTE:** Line release will become more difficult if the cutting knife (16) becomes too dull.

**NOTE:** The original cutting width is 330 mm. There are two kinds of cutting width. When the cutting knife (16) is mounted on the location as Fig. M2, the cutting width is 330 mm. When

the cutting knife (16) is mounted on the location as Fig. M3, the cutting width is 380 mm.

#### Change the cutting width as follows:

- 1) Turn off the device and wait for the device to stop completely.
- 2) Remove the battery packs.
- 3) Loosen the cutting knife (16) from the inside of the clip-on grass trimmer guard attachment (15) by removing the 2 x screws with the wrench (screwdriver part) provided, in an anti-clockwise direction.
- 4) Screw the cutting knife (16) back into the desired position. You have now successfully set the position of the cutting knife (16).

#### 5. USING THE BRUSH CUTTER



**WARNING: To cut wild growth and scrub, lower the cutting head down onto the growth to achieve a chopping effect. Use the brush cutter like a scythe (sweep it to the right and left) at ground level. Do not use the cutting unit above waist height.**



**WARNING: The higher the cutting device is off the ground, the greater the risk of injury from cuttings being thrown sideways.**



**WARNING: Wear eye protection and heavy clothing, and use the shoulder strap supplied during operation.**

- 1) Hold the device with the right hand on the rear handle and left hand on the P handle.
- 2) Make sure your footing is firm. Keep feet apart. Divide your weight evenly on both feet.
- 3) Switch on the device as described in the chapter "Switching on and off".
- 4) Never hold the work head higher than your hip. Work cautiously. The higher you hold the device the bigger is the risk of thrown objects or clippings.
- 5) Plunge the blade from above when cutting undergrowing trees.
- 6) Move the blade close to the ground to cut young trees or grass.



**WARNING: Do not attempt to cut woody material with a larger diameter, since the blade may catch or jerk the brush cutter forward. This may cause damage to the blade or the brush cutter or loss of control of the brush cutter, resulting in personal injury.**



**WARNING: Improper use of a blade may cause it to crack, chip, or shatter. Thrown parts may seriously injure the operator or bystander. To reduce the risk of personal injury, it is essential to take the following precautions.**

- 1) Avoid contacting with hard or solid foreign objects such as stones, rocks or pieces of metal.
- 2) Never cut wood or shrubs with a stem diameter of more than 2 cm.
- 3) Inspect the blade at a regular short interval for signs of damage. Do not continue working with a damaged blade.
- 4) Re-sharpen the blade regularly (when it has dulled noticeably) and have it balanced if necessary (performed by a qualified service technician).

#### 6. USING THE POLE SAW



**WARNING: Before using the pole saw, check that the oil tank is filled. This ensures the chain is lubricated which is done automatically. If necessary, fill the oil tank as described in the chapter "Filling the oil tank".**



**WARNING: Do not stand directly below a branch**

**being cut. Keep bystanders far away. Do not stand on a ladder or other type of unstable support while using the device. Do not use the device near cable, electrical power or telephone lines. Keep 3 m (10 ft) away from all power lines.**



**WARNING: Always wear a helmet when cutting above your head height, otherwise you can injure yourself from falling clippings.**

- 1) Use both hands to grip pole saw. Use firm grip. Thumbs and fingers must wrap around pole saw handle and pole.
- 2) Make sure your footing is firm. Keep feet apart. Divide your weight evenly on both feet.
- 3) Switch on the product as described in the chapter "Switching on and off". Make sure the pole saw is running at full speed before starting a cut.
- 4) When starting a cut, place the moving chain against the wood being cut. Hold the pole saw firmly in place to avoid possible bouncing or skating (sideways movement) of saw.
- 5) Guide the pole saw using light pressure. Do not force. The motor will overload and can burn out. It will do the job better and safer at the rate for which it was intended.
- 6) Remove the pole saw from a cut with the saw running at full speed. Stop the pole saw by releasing the on/off trigger lever (6). Make sure the saw chain (25) has stopped before setting the pole saw down.

#### 7. TRIMMING A TREE (PRUNING)



**WARNING: Avoid kickback. Kickback can result in severe injury or death. See kickback, to avoid risk of kickback.**



**WARNING: Do not operate pole saw while: 1) in a tree; 2) on a ladder or any other unstable surface; 3) in any awkward position. You may lose control of the pole saw causing severe injury.**



**WARNING: Do not extend arms above shoulders when using pole saw.**



**CAUTION: Seek professional help if facing conditions beyond your ability.**

**Trimming a tree is the process of cutting limbs from a living tree. Make sure your footing is firm. Keep feet apart. Divide your weight evenly on both feet.**

**Follow directions below to trim a tree.**

- 1) Make the first cut 15 cm (6 inches) from tree trunk on the underside of the limb. Use the top of the guide bar to make this cut. Cut 1/3 through the diameter of the limb.
- 2) Move 5 cm (2 inches) to 10 cm (4 inches) farther out on the limb. Make the second cut from above the limb. Continue cut until you cut the limb off.
- 3) Make the third cut as close to the tree trunk as possible on the underside of limb stub. Use the top of the guide bar to make this cut. Cut 1/3 through diameter of stub.
- 4) Make the fourth cut directly above the third cut. Cut down to meet the third cut. This will remove the limb stub.

#### 8. BUMPER SPIKE

The bumper spike (c) can be used as a lever during sawing by repositioning at a lower point below the cut when sawing thick branches or trunks. (Fig. N)

To do this, pull the pole saw back a little after the cut to release the bumper spike (c) and set it lower again. Do not remove the saw from the cut.

When sawing, do not press the pole saw with force, but let it work by applying a slight lever pressure to the front via the bumper spike (c) and sawing further into the existing cut.



The optimum sawing result is achieved if the chain speed during sawing does not drop due to overload.

## 9. USING THE POLE HEDGE TRIMMER



**WARNING:** During cutting work, ensure that no contact is made with objects, e.g. such as wire fencing or main plant stems. This may result in damage to the blade.



**WARNING:** Do not stand directly below a branch being trimmed. Keep bystanders far away. Do not stand on a ladder or other type of unstable support while using the device. Do not use the device near cable, electrical power or telephone lines. Keep 3 m (10 ft) away from all power lines.



**WARNING:** Always wear a helmet when cutting above your head height, otherwise you can injure yourself from falling clippings.

- 1) Use both hands to grip the pole hedge trimmer. Use firm grip. Thumbs and fingers must wrap around pole hedge trimmer handle and pole.
- 2) Make sure your footing is firm. Keep feet apart. Divide your weight evenly on both feet.
- 3) Switch on the product as described in the chapter "Switching on and off". Make sure the blade is running at full speed before starting a cut.
- 4) For horizontal cutting, you can achieve the best cutting performance by adjusting the angle of the trimmer (Refer to the chapter "Adjusting the pole hedge trimmer head angle") so that the blade tilts slightly downwards when cutting.
- 5) When trimming the sides of a hedge, start at the bottom and cut upwards.

## 10. USING THE EDGER



**WARNING:** While edging, only allow the tip of the blade to make contact with the area being worked. Do not force the blade. The edging wheel helps protect the unit and keep the unit from contacting the ground. Take extra caution while edging as objects can be thrown from the blade.

- 1) Hold the device with the right hand on the rear handle and left hand on the P handle.
- 2) Make sure your footing is firm. Keep feet apart. Divide your weight evenly on both feet.
- 3) Switch on the product as described in the chapter "Switching on and off".
- 4) Adjust the height of the edger as described in the chapter "Adjusting the edger depth" according to the requirement.
- 5) The edger will edge among sidewalks, driveways, flower-beds, curbs, and similar areas.
- 6) Cut at a steady pace. If the blade begins to bog down, you are edging too fast; slow your pace. Do not force the blade into ground.
- 7) Light contact of the blade against the sidewalk edge, curb, and so on, is acceptable and will not do damage to the edger.
- 8) Best performance will be obtained when grass is dry. Avoid edging in wet soil or wet grass areas or the blade guard might clog and result in an uneven edge. If the blade guard is clogged, stop the machine, remove the battery pack, then remove debris from the blade guard.

# MAINTENANCE



**WARNING:** Accidental starting of the devices can lead to serious injuries. Remove the battery packs after each use and before any maintenance. Wear protective gloves.



**WARNING:** When servicing, use only identical replacement parts. Use of any other parts may create a hazard or cause product damage. To ensure safety and reliability, all repairs should be performed by a qualified service technician.

## 1. REPLACING THE LINE

### a. Replacing the spool and line complete

For your convenience it is recommended you buy spool and line complete.

- 1) Press and hold in the two cap release latches. Turn anti-clockwise and pull cap away from the spool holder. (Fig. 01)
- 2) Remove old spool. Then, place new spool into cutting head. Release one line from cleat and feed line through eyelet. Repeat for second line. (Fig. 02)
- 3) Replace the cap, pressing firmly down towards the spool holder to ensure cap is fully located. Check that the cap is correctly fitted by trying to remove it without depressing the two latches.

### b. Replacing the line only



**WARNING:** Your Trimmer is designed to use only line with a maximum diameter of 2.0 mm. Always wind the line onto the upper section of the spool first.

- 1) Remove the cap of the spool as as described in the chapter "To replace the spool and line complete". (Fig. 01)
- 2) Remove any existing line protruding from either eyelets in the spool assembly.
- 3) Cut a length of 2.0 mm diameter nylon line to a length of 2.5 m, ensuring the line is cut cleanly. If the first 150 mm of line is curved, try and straighten the line as much as possible for entry into the spool.
- 4) Insert 1.25 m of line into one of the holes in the upper section of the spool and wind the line in the direction of the arrows on the top of the spool. Leave approximately 1.25 m of line unwound and place into cleat. Repeat on lower section of spool. (Fig. 03, 04)
- 5) Pull the line through the spool so both lengths of line extending from each eyelet are the same length. (Fig. 05)
- 6) Care should be taken to ensure that the line is neatly coiled on the spool. Failure to do so will impair the efficiency.
- 7) Rotate the bump knob (52) in a clockwise direction; also the direction of the rotation arrow on the bump knob (52). As the bump knob (52) is rotated, the line will evenly be drawn into the spool and evenly wind the line in place. Continue to wind the line into the spool until approx. 100 mm of line extends out from the eyelets. (Fig. 06)

**NOTE:** Slight downward pressure on the spool will assist in the rotating action.

- 8) The spool and line is now ready for use. If the spool and line assembly was removed from the lower shaft for this process, ensure it is correctly fitted as per previous instructions.

## 2. REPLACING THE SAW CHAIN

Replace the saw chain (25) when cutters are too worn to sharpen or when the saw chain stops. Only use replacement saw chain noted in this manual.

Inspect the guide bar (26) before sharpening the saw chain. A worn or damaged guide bar is unsafe. A worn or damaged guide

bar will damage the saw chain. It will also make cutting harder.



**WARNING: Remove the battery packs before servicing.**

**Severe injury or death can occur from electric shock or body contact with moving saw chain.**



**WARNING: Wear heavy-duty gloves when performing any maintenance or service to this device.**

- 1) Place the device on a solid, level surface.
- 2) Loosen the chain cover lock nut (30) by turning it anti-clockwise with the wrench (10 mm) (41) provided; take off the chain cover (27) to expose the guide bar (26). (Fig. P1)
- 3) Remove the old guide bar and saw chain. (Fig. P2)
- 4) Slide the new saw chain in the slot around the guide bar. Ensure the chain is in the correct running direction by comparing it to the saw chain icon on the housing.
- 5) Fit the saw chain onto the sprocket (36). Ensure the bar tensioning plate is facing outward. (Fig. P3)
- 6) Ensure all parts are seated properly. Make sure the drive links are fully seated in the sprocket (36), avoid placing the saw chain in the wrong direction. If kink occurs, pick up on the saw chain at the guide bar just ahead of the kink and then pull the kink out.
- 7) Using the 4 mm hex key (44) provided to tighten the saw chain by turning the 4 mm hex key (44) clockwise, or loosen the chain by turning it anti-clockwise. The correct chain tension is reached when the chain can be raised approx. 3-5 mm from the guide bar in the center. This should be done by using one hand to raise the saw chain against the weight of the machine. Do not tension the saw chain too much. (Fig. P4, P5)
- 8) Fit the chain cover (27) and tighten the chain cover (27) by turning the chain cover lock nut (30) with the wrench (10 mm) (41) provided clockwise until it is tight. (Fig. P6)
- 9) If the saw chain is still loose or too tight, use the 4 mm hex key (44) to adjust the saw chain slightly.

### 3. LUBRICATING THE SAW CHAIN



**WARNING: Cutting edges on the saw chain are sharp. Use protective gloves when handling the saw chain.**

Keep the saw chain sharp. Your pole saw will cut faster and more safely. A dull saw chain will cause undue sprocket, guide bar, saw chain, and motor wear. When the cutting creates little sawdust or the device is hard to cut, the saw chain is dull.

**NOTE:** It is not necessary to remove the saw chain (25) or guide bar (26) when lubricating the guide bar, saw chain and sprocket.

- 1) Clean the guide bar and sprocket.
- 2) Using a grease gun, insert the tip of the gun into the lubrication hole (d) and inject grease until it appears at the outside edge of the sprocket tip. (Fig. Q)
- 3) To rotate the sprocket, pull the saw chain by hand until the ungreased side of the sprocket is in line with the grease hole. Repeat the lubrication procedure.

### 4. GUIDE BAR MAINTENANCE

To maximize guide bar life, the following bar maintenance is recommended.

The bar rails that carry the chain should be cleaned before storing the tool or if the bar or chain appears to be dirty.

The rails should be cleaned every time the chain is removed.

#### To clean the bar rails:

- 1) Remove chain cover and bar and chain.
- 2) Using a wire brush, screwdriver or similar tool, clear the residue from the inner groove of the bar.
- 3) Make sure to clean oil passages thoroughly.

### 5. LUBRICATING THE POLE HEDGE TRIMMER BLADE

For easier operation and longer life, lubricate the cutting blades before and after each use. Before lubricating, make sure you have removed the battery packs from the pole hedge trimmer. Apply the oil so that it runs between the two blades. (Fig. R)

Your trimmer should be stopped and oiled occasionally during use.

### REPLACING THE EDGER BLADE



**WARNING: Wear heavy-duty gloves when performing any maintenance or service to this device.**

**Replace the edger blade (21) when cutters are too worn to edge. Only use replacement edger blade noted in this manual.**

- 1) Place the device on a solid, level surface.
- 2) Insert the hex key (44) through the hole under the edger blade (21) to fix the spindle in position securely. Then remove the edger blade cover lock nut (51) with a wrench (17 mm) (not provided) by turning it clockwise. (Fig. S1)
- 3) Remove the edger blade cover (50), inner flange (e) and the old edger blade (21) from the spindle. (Fig. S2)
- 4) Fit the new edger blade into the spindle, then place the inner flange (e) with the recess on top of the new edger blade.
- 5) Place the edger blade cover (50) with the opening downwards over the inner flange (e) on the spindle. (Fig. S3)
- 6) Insert the edger blade cover lock nut (51) on top of the edger blade cover (50), onto the spindle and tighten it by turning it anti-clockwise with the wrench (17 mm) (not provided). (Fig. S1)

### CLEANING



**WARNING: Water or other liquids that have entered the housing can cause a short circuit. Do not immerse the product in water or other liquids.**



**WARNING: Make sure that no water or other liquids get into the housing.**



**WARNING: Do not use aggressive cleaning agents, brushes with metal or nylon bristles, or sharp or metallic cleaning objects such as knives, hard spatulas and the like. These can damage the surfaces.**



**WARNING: Clean the product thoroughly, especially the cutting devices, after each use and let all parts dry. Otherwise, moist plant residues can harden or start to become moldy and are then difficult to remove.**

- 1) Turn off the product. Wait until the device stops completely.
- 2) Remove the battery packs.
- 3) Remove all plant residues with a hand brush or a brush.
- 4) Clean all smooth surfaces with a damp cloth.
- 5) Clean the housing with a soft cloth or brush.

### STORAGE

- 1) Remove the battery packs.
- 2) Clean the product as described previously.
- 3) Store the product and its accessories in a dry, frost-free, well-ventilated place. Protect the product from direct sunlight.
- 4) Always store the product in a place that is inaccessible to children. The ideal storage temperature is between 5 and 20°C.
- 5) We recommend using the original package for storage or covering the product with a proper cloth or enclosure to protect it against dust.

## TRANSPORTATION

- 1) Switch the product off and remove the battery packs before transporting.
- 2) Attach transportation guards for cutting means of pole hedge trimmer, brush cutter and pole saw.
- 3) Always carry the product by its handles.
- 4) Protect the product from any heavy impact or strong vibrations which may occur during transportation in vehicles.
- 5) Secure the product to prevent it from slipping or falling over.

## MAINTENANCE

**Remove the battery pack from the tool before carrying out any adjustment, servicing or maintenance.**

Your tool requires no additional lubrication or maintenance.

There are no user serviceable parts in your power tool. Never use water or chemical cleaners to clean your power tool. Wipe clean with a dry cloth. Always store your power tool in a dry place. Keep the motor ventilation slots clean. Keep all working controls free of dust. Occasionally you may see sparks through the ventilation slots. This is normal and will not damage your power tool.

### For Battery tools

The ambient temperature range for the use and storage of tool and battery is 0°C to 45°C.

The recommended ambient temperature range for the charging system during charging is 0°C to 40°C.

## ENVIRONMENTAL PROTECTION



advice.

Waste electrical products must not be disposed of with household waste. Please recycle where facilities exist. Check with your local authorities or retailer for recycling

## TROUBLESHOOTING

	Problem	Possible Cause	Solution
Grass trimmer	1. The device does not start.	1. Battery packs are flat.	1. Charge battery packs.
	2. Bad quality cut from the grass trimmer.	2.1 Overloaded cutting due to too high grass. 2.2 Wrapped vegetation on the cutting tool. 2.3 Line will not advance. 2.4 Line welded to itself.  2.5 Not enough line on the spool.  2.6 Line worn too short. 2.7 Line tangled on spool.	2.1 Cut tall grass from the top down.  2.2 Clean the material from the spool and line.  2.3 Manually advance the lines. 2.4 Open the spool and line assembly and ensure the lines have not crossed or tangled. NOTE: Always ensure the battery packs are removed before undertaking this task. 2.5 Manually advance the lines, or install more line. NOTE: Always ensure the battery packs are removed before undertaking this task. 2.6 Pull lines while alternately pressing down on and releasing bump knob. 2.7 Remove line from the spool and rewind.
Brush cutter	1. The device does not start.	1. Battery packs are flat.	1. Charge the battery packs.
	2. Brush cutter blade rotates at idle speed.	2. The blade is not securely fitted.	2. Ensure the blade nut is tightened.

Pole saw	1. The device does not start.	1. Battery packs are flat.	1. Charge battery packs.
	2. The chain is dry.	2.1 No oil in the oil tank. 2.2 Vent in oil filler cap clogged. 2.3 Oil passage clogged.	2.1 Refill oil. 2.2 Clean cap. 2.3 Clean oil passage outlet.
	3. The chain and bar are too hot.	3.1 No oil in reservoir. 3.2 Vent in oil filler cap clogged. 3.3 Oil passage clogged. 3.4 Chain is over tensioned. 3.5 Dull chain.	3.1 Refill oil. 3.2 Clean cap. 3.3 Clean oil passage outlet. 3.4 Adjust chain tension. 3.5 Sharpen chain or replace.
	4. Chain saw rips, vibrates, does not saw properly.	4.1 Chain tension too loose. 4.2 Dull chain. 4.3 Chain worn out. 4.4 Chain teeth are facing in the wrong direction.	4.1 Adjust chain tension. 4.2 Sharpen chain or replace. 4.3 Replace chain. 4.4 Reassemble with chain in correct direction.
Pole hedge trimmer	1. The device does not start.	1. Battery packs are flat.	1. Charge battery packs.
	2. The device is hard to cut.	2. The blade is blunt.	2. Lubricate the blade.
Edger	1. The device does not start.	1. Battery packs are flat.	1. Charge battery packs.

# DECLARATION OF CONFORMITY

We,  
POSITEC Germany GmbH  
Postfach 680194, 50704 Cologne, Germany

Declare that the product:

Description: **5-IN-1 CORDLESS GARDEN MULTI TOOL**  
Type Designation: **WS8198.1 (81- designation of machinery, representative of cordless garden multi tool)**  
Function: **Trimming hedges and brushes/Cutting grass and similar soft vegetation and for trimming grass edges/Cutting shrub/Cutting high branch/Edging around walkways, driveways, flower beds**

Complies with the following Directives,  
**2006/42/EC, 2014/30/EU, 2011/65/EU&(EU)2015/863, 2000/14/EC amended by 2005/88/EC, (EU) 2023/1542, 2014/35/EU**

## Pole hedge trimmer:

2000/14/EC amended by 2005/88/EC:  
- Conformity Assessment Procedure as per **Annex V**  
- Measured Sound Power Level **91.76 dB(A)**  
- Declared Guaranteed Sound Power Level **95 dB(A)**

## Grass trimmer:

2000/14/EC amended by 2005/88/EC:  
- Conformity Assessment Procedure as per **Annex VI**  
- Measured Sound Power Level **94.01 dB(A)**  
- Declared Guaranteed Sound Power Level **96 dB(A)**

Name: Center for Testing and European Certification Ltd.  
Address: 23 "Patriarh Evtimiy" Str., Stara Zagora 6000, Bulgaria

## Brush cutter:

2000/14/EC amended by 2005/88/EC:  
- Conformity Assessment Procedure as per **Annex V**  
- Measured Sound Power Level **95.85 dB(A)**  
- Declared Guaranteed Sound Power Level **99 dB(A)**

## Pole saw:

2000/14/EC amended by 2005/88/EC:  
- Conformity Assessment Procedure as per **Annex V**  
- Measured Sound Power Level **100.03 dB(A)**  
- Declared Guaranteed Sound Power Level **103 dB(A)**

The notified body involved:

Name: SGS Fimko Ltd (0598)  
Address: Takomotie 8, FI-00380 Helsinki, Finland  
Certification No.: MD-505

## Edger:

2000/14/EC amended by 2005/88/EC:  
- Conformity Assessment Procedure as per **Annex V**  
- Measured Sound Power Level **92.92 dB(A)**  
- Declared Guaranteed Sound Power Level **96 dB(A)**

Standards conform to

**EN 62841-1, EN 62841-4-2, EN ISO 3744,**  
**EN IEC 55014-1, EN IEC 55014-2, EN IEC 63000**  
**EN ISO 11680-1, EN ISO 11806-1,**  
**EN 50636-2-91, ISO 11789,**  
**EN 62133-2, EN 60335-2-29, EN 62233, EN IEC 61000-3-2, EN**  
**61000-3-3, EN 62133-2**

The person authorized to compile the technical file,  
**Name Marcel Filz**  
**Address Positec Germany GmbH**  
**Postfach 680194, 50704 Cologne, Germany**



2024/05/11

Allen Ding  
Deputy Chief Engineer, Testing & Certification  
Positec Technology (China) Co., Ltd  
18, Dongwang Road, Suzhou Industrial  
Park, Jiangsu 215123, P. R. China

# DECLARATION OF CONFORMITY (UK)

We,  
Positec Power Tools (Europe) Ltd,  
PO Box 6242, Newbury, RG14 9LT, UK

On behalf of Positec declare that the product:

Description: **5-IN-1 CORDLESS GARDEN MULTI TOOL**

Type Designation: **WS8198.1 (81- designation of machinery, representative of cordless garden multi tool)**

Function: **Trimming hedges and brushes/Cutting grass and similar soft vegetation and for trimming grass edges/ Cutting shrub/Cutting high branch/Edging around walkways, driveways, flower beds**

Complies with the following Directives,

**Supply of Machinery (Safety) Regulations 2008**

**Electromagnetic Compatibility Regulations 2016**

**Electrical Equipment (Safety) Regulations 2016**

**The Restriction of the Use of Certain Hazardous Substances in Electrical and Electronic Equipment Regulations**

**Noise Emission in the Environment by Equipment for Use Outdoors Regulations**

**The Batteries and Accumulators (Placing on the Market)**

**Regulations 2008 (as amended) and the Waste Batteries and**

**Accumulators Regulations 2009 (as amended)**

**The Restriction of the Use of Certain Hazardous Substances in Electrical and Electronic Equipment Regulations**

## **Pole hedge trimmer:**

2000/14/EC amended by 2005/88/EC:

- Conformity Assessment Procedure as per **Annex 8**
- Measured Sound Power Level **91.76 dB(A)**
- Declared Guaranteed Sound Power Level **95 dB(A)**

## **Grass trimmer:**

2000/14/EC amended by 2005/88/EC:

- Conformity Assessment Procedure as per **Annex 9**
- Measured Sound Power Level **94.01 dB(A)**
- Declared Guaranteed Sound Power Level **96 dB(A)**

Name: Center for Testing and European Certification Ltd.

Address: 23 "Patriarh Evtimiy" Str., Stara Zagora 6000, Bulgaria

## **Brush cutter:**

2000/14/EC amended by 2005/88/EC:

- Conformity Assessment Procedure as per **Annex 8**
- Measured Sound Power Level **95.85 dB(A)**
- Declared Guaranteed Sound Power Level **99 dB(A)**

## **Pole saw:**

2000/14/EC amended by 2005/88/EC:

- Conformity Assessment Procedure as per **Annex 8**
- Measured Sound Power Level **100.03 dB(A)**
- Declared Guaranteed Sound Power Level **103 dB(A)**

The notified body involved:

Name: SGS Fimko Ltd (0598)

Address: Takomotie 8, FI-00380 Helsinki, Finland

Certification No.: MD-505

## **Edger:**

2000/14/EC amended by 2005/88/EC:

- Conformity Assessment Procedure as per **Annex 8**
- Measured Sound Power Level **92.92 dB(A)**
- Declared Guaranteed Sound Power Level **96 dB(A)**

Standards conform to

**BS EN 62841-1, BS EN 62841-4-2, BS EN ISO 3744,**

**BS EN IEC 55014-1, BS EN IEC 55014-2, BS EN IEC 63000**

**BS EN ISO 11680-1, BS EN ISO 11806-1,**

**BS EN 50636-2-91, ISO 11789,**

**BS EN 62133-2, BS EN 60335-2-29, BS EN 62233, BS EN IEC**

**61000-3-2, BS EN 61000-3-3, BS EN 62133-2**

The person authorized to compile the technical file,

Name **Jim Kirkwood**

Address **Positec Power Tools (Europe) Ltd,  
PO Box 6242, Newbury, RG14 9LT, UK**



2024/05/11

Allen Ding

Deputy Chief Engineer, Testing & Certification

Positec Technology (China) Co., Ltd

18, Dongwang Road, Suzhou Industrial

Park, Jiangsu 215123, P. R. China





# LISTA DE COMPONENTES

1.	Perilla de bloqueo del eje	28.	Tapón del depósito de aceite
2.	Abrazadera central en forma de P	29.	Eje de la sierra de poste
3.	Ojal	30.	Tuerca de bloqueo de la cubierta de la cadena
4.	Eje superior	31.	Espuela de tope
5.	Botón de bloqueo de seguridad	32.	Depósito de aceite
6.	Palanca de activación On/Off	33.	Tornillo de ajuste de la tensión de la cadena
7.	Inserto de batería	34.	Tornillo de ajuste de aceite
8.	Línea de recortadora	35.	Cubierta de la barra guía
9.	Carrete de recortadora de línea	36.	Piñón
10.	Protector	37.	Palanca de seguridad
11.	Cabezal del motor	38.	Cubiertas de protección de la hoja
12.	Brida interna	39.	Hoja de recortadora
13.	Eje de recortadora de línea / Cortadora de cepillo	40.	Eje de la recortadora de setos de poste
14.	Botón de liberación del eje inferior	41.	Llave inglesa (10 mm/13 mm)
15.	Accesorio de protector de recortadora de línea / Cortadora de cepillo con clip	42.	Varilla de bloqueo del husillo
16.	Cuchillo de corte	43.	Destornillador
17.	Protector de recortadora de línea / Cortadora de cepillo	44.	Llave hexagonal (4mm)
18.	Hoja de cortadora de cepillo	45.	Correa para el hombro
19.	Brida externa	46.	Gancho de la correa para el hombro
20.	Tuerca de la hoja	47.	Abrazadera superior del mango en forma de P
21.	Hoja de bordeador	48.	Abrazadera inferior del mango en forma de P
22.	Eje de bordeador	49.	Pernos hexagonales para el mango en forma de P (x 4 M5*30)
23.	Rueda de bordeador	50.	Cubierta de la hoja de bordeador
24.	Perilla de ajuste de profundidad de rueda de bordeador	51.	Tuerca de bloqueo de la cubierta de la hoja de bordeador
25.	Cadena de sierra	52.	Perilla de golpe (en el carrete)
26.	Barra de guía	53.	Cargador (Ver Fig. L1)
27.	Cubierta de cadena	54.	Botón de liberación del paquete de batería (Ver Fig. L2)
		55.	Paquete de batería (Ver Fig. L2)

## DATOS TÉCNICOS

Tipo WS8198.1 (81 - designación de maquinaria, representativo de herramienta multiusos para jardín inalámbrica)

Voltaje nominal:	2*18 V
Entrada del cargador (WS9919)	100-240V~50/60Hz, 50W
Salida 1 y 2 del cargador (WS9919)	18V  2.0A (Total)
Clase de protección del cargador:	 /II
Tiempo de carga:	4,0 Ah (1pc): 2hrs 4,0 Ah (2pcs): 4hrs
Capacidad de la batería (WS9940):	4,0 Ah Li-ion
Tipo de motor:	Escobillas
Peso	
con recortadora de césped y paquetes de baterías:	5.26kg
con cortadora de cepillo y paquetes de baterías:	5.26kg
con sierra de poste y paquetes de baterías:	5.39kg
con recortadora de setos de poste y paquetes de baterías:	5.99kg
con bordeador y paquetes de baterías:	5.79kg

## ESPECIFICACIONES DE LA RECORTADORA DE LÍNEA

Longitud de la línea:	2*2,5 m
Diámetro de la línea:	2,0 mm
Tipo de línea:	Línea retorcida
Ancho de corte:	330 mm / 380 mm
Velocidad sin carga:	5600 / min
Alimentación de línea:	Alimentación por golpe

## ESPECIFICACIONES DE LA CORTADORA DE CEPILLO

Diámetro de la cuchilla/corte:	230 mm
Velocidad sin carga:	5700 / min

## ESPECIFICACIONES DE LA SIERRA DE POSTE

Paso de la cadena:	3/8" (0,95 cm)
Calibre de la cadena:	0,043"
Tipo de cadena:	90X-1
Longitud de la barra:	305 mm
Tipo de barra:	3/8 LP / .043
Velocidad de la cadena:	14 m/s
Capacidad del depósito de aceite:	135 ml
Capacidad de corte:	254 mm

## ESPECIFICACIONES DE LA RECORTADORA DE SETOS DE POSTE

Longitud de la cuchilla:	400 mm
Longitud de corte:	380 mm
Diámetro máximo de corte:	23 mm
Velocidad sin carga:	1300 / min
Ajuste del ángulo de corte:	12 posiciones (165°)

## ESPECIFICACIONES DEL BORDEADOR

Profundidad de corte:	70 mm
Diámetro de corte:	225 mm
Velocidad sin carga:	5800 / min
Tipo de cuchilla:	Acero de aleación de doble filo



# DATOS DE RUIDO Y VIBRACIÓN

## RECORTADORA DE LÍNEA

Nivel de presión acústica ponderada	$L_{PA}$ : 81.01 dB(A)
	$K_{PA}$ : 3 dB(A)
Nivel de potencia acústica ponderada	$L_{WA}$ : 94.01 dB(A)
	$K_{WA}$ : 1.32 dB(A)
Utilice protección auditiva.	

## CORTADORA DE CEPILLO

Nivel de presión acústica ponderada	$L_{PA}$ : 86 dB(A)
	$K_{PA}$ : 3 dB(A)
Nivel de potencia acústica ponderada	$L_{WA}$ : 95.85 dB(A)
	$K_{WA}$ : 3 dB(A)
Utilice protección auditiva.	

## SIERRA DE POSTE

Nivel de presión acústica ponderada	$L_{PA}$ : 96 dB(A)
	$K_{PA}$ : 3 dB(A)
Nivel de potencia acústica ponderada	$L_{WA}$ : 100.03 dB(A)
	$K_{WA}$ : 3 dB(A)
Utilice protección auditiva.	

## RECORTADORA DE SETOS DE POSTE

Nivel de presión acústica ponderada	$L_{PA}$ : 84 dB(A)
	$K_{PA}$ : 3 dB(A)
Nivel de potencia acústica ponderada	$L_{WA}$ : 91.76 dB(A)
	$K_{WA}$ : 3 dB(A)
Utilice protección auditiva.	

## BORDEADOR

Nivel de presión acústica ponderada	$L_{PA}$ : 80 dB(A)
	$K_{PA}$ : 3 dB(A)
Nivel de potencia acústica ponderada	$L_{WA}$ : 92.92 dB(A)
	$K_{WA}$ : 3 dB(A)
Utilice protección auditiva.	

# INFORMACIÓN SOBRE VIBRACIÓN

Valor de emisión de vibración:  $a_v = 4.0 \text{ m/s}^2$  (MAX) (Mango principal)

$a_{v1} = 3.9 \text{ m/s}^2$  (MAX) (Mango auxiliar)

Incertidumbre  $K = 1.5 \text{ m/s}^2$

El valor total de vibraciones declarado y el valor de emisiones acústicas declarado se han medido de conformidad con un método de prueba estándar y pueden utilizarse para realizar comparaciones entre herramientas.

El valor total de vibraciones declarado y el valor de emisiones acústicas declarado también pueden utilizarse en una evaluación preliminar de la exposición.

**⚠️ ADVERTENCIA:** Las vibraciones y las emisiones acústicas que se producen durante el uso de la herramienta eléctrica pueden variar respecto a los valores declarados en función de cómo se utilice la herramienta, especialmente dependiendo del tipo de pieza de trabajo que se procese y de otras formas de usar la herramienta:  
 Cómo se utiliza la herramienta y se cortan o perforan los materiales.  
 Si la herramienta se encuentra en buenas condiciones de mantenimiento.  
 Si se utiliza el accesorio correcto para la herramienta y se garantiza que está afilado y en buenas condiciones.  
 La firmeza de sujeción de las empuñaduras, y el uso de accesorios para reducir las vibraciones y el ruido.  
 Y si la herramienta se utiliza según su diseño y estas instrucciones.

**Esta herramienta podría causar síndrome de vibración del brazo y la mano si no se utiliza correctamente.**

**⚠️ ADVERTENCIA:** Para conseguir una mayor precisión, debe tenerse en cuenta una estimación del nivel de exposición en condiciones reales de todas las partes del ciclo de uso, como los tiempos durante los que la herramienta está apagado o cuando está en funcionamiento pero no está realizando ningún trabajo. Ello podría reducir notablemente el nivel de exposición sobre el periodo de carga total. Minimización del riesgo de exposición a las vibraciones y el ruido.  
 Utilice SIEMPRE cinceles, brocas y cuchillas afiladas.  
 Mantenga esta herramienta de acuerdo con estas instrucciones y bien lubricada (si es necesario).  
 Si la herramienta se va a utilizar de forma habitual, se recomienda adquirir accesorios para reducir las vibraciones y el ruido.  
 Planifique su programa de trabajo para distribuir el uso de la herramienta a lo largo de varios días.

## ACCESORIOS

Cabezal del motor	1
Accesorio de sierra de poste	1
Accesorio de bordeador	1
Accesorio de recortadora de setos de poste	1
Accesorio de cortadora de cepillo / recortadora de línea	1
Carrete con línea	1
Hoja de cortadora de cepillo	1
Protector de recortadora de línea / cortadora de cepillo	1
Cubierta de la barra de la motosierra	1
Correa para el hombro	1
Cubiertas de la hoja de la recortadora de setos	2
Mango en forma de P (+ 4 x pernos m5*30)	1
Kit de montaje de herramientas	1
Paquete de baterías (WS9940)	2
Cargador (WS9919)	1

Recomendamos que adquiera todos sus accesorios en el mismo comercio donde compró la herramienta. Consulte los estuches de los accesorios para más detalles. El personal del comercio también puede ayudar y aconsejar.

# LOS USUARIOS PUEDEN VER LAS INSTRUCCIONES ELECTRÓNICAS EN [WWW.WESCO-TOOLS.COM](http://WWW.WESCO-TOOLS.COM).

## SEGURIDAD DEL PRODUCTO ADVERTENCIAS DE SEGURIDAD GENERALES SOBRE HERRAMIENTAS ELÉCTRICAS



**ADVERTENCIA:** Lea todas las advertencias de seguridad, instrucciones, ilustraciones y especificaciones que acompañan a esta herramienta eléctrica. Si no se respetan todas las instrucciones que se indican abajo, podría producirse una descarga eléctrica, un incendio o alguien podría resultar herido de gravedad. Conserve todas las advertencias e instrucciones para futuras consultas.

El término "herramienta eléctrica" en todas las advertencias siguientes corresponde a la herramienta eléctrica con o sin cable.

### 1) ZONA DE TRABAJO

- a) **Mantener su lugar de trabajo limpio y bien iluminado.** Bancos de trabajo desordenados y lugares oscuros invitan a los accidentes.
- b) **No utilizar herramientas eléctricas en atmósferas explosivas, como por ejemplo en presencia de líquidos inflamables, gases o polvo.** Las herramientas eléctricas crean chispas que pueden encender el polvo o los vapores.
- c) **Mantener alejados a los niños y visitantes mientras opera una herramienta eléctrica.** Las distracciones pueden hacerle perder el control.

### 2) SEGURIDAD ELÉCTRICA

- a) **Los enchufes de la herramienta eléctrica deben encajar perfectamente en el tomacorriente.** Nunca modificar el enchufe de ninguna manera. No utilizar adaptadores con herramientas eléctricas conectadas a tierra. Los enchufes no modificados y los que encajan perfectamente en el tomacorriente reducirán el riesgo de descarga eléctrica.
- b) **Evitar el contacto del cuerpo con superficies conectadas a tierra tales como caños, radiadores, cocinas y heladeras.** Existe un riesgo creciente de descarga eléctrica si su cuerpo queda conectado a tierra.
- c) **No exponer las herramientas eléctricas a la lluvia y no guardar en lugares húmedos.** El agua que penetra en ellas aumentará el riesgo de una descarga eléctrica.
- d) **No abusar del cable.** Nunca utilizar el cable para transportar, tirar o desenchar la herramienta eléctrica. Mantener el cable alejado del calor, del aceite, de bordes agudos o piezas móviles. Los cables dañados o enredados aumentan el riesgo de descarga eléctrica.
- e) **Cuando utilice su herramienta eléctrica al aire libre, emplear un prolongador apto para uso en exteriores.** El empleo de cables para uso al aire libre reduce el riesgo de descarga eléctrica.
- f) **Si es necesario utilizar la herramienta motorizada en un lugar muy húmedo, utilice una fuente de alimentación con dispositivo de corriente residual (RCD).** El uso de un RCD reduce el riesgo de descarga eléctrica.

### 3) SEGURIDAD PERSONAL

- a) **Mantenerse alerta, poner atención en lo que está haciendo y utilice el sentido común mientras opera una**

herramienta eléctrica. No emplear la herramienta cuando se encuentre cansado o bajo la influencia de drogas, alcohol o medicación. Un momento de falta de atención durante el manejo de herramientas eléctricas puede dar lugar a daños corporales serios.

- b) **Utilizar equipo de seguridad.** Usar siempre protección ocular. Equipo de seguridad como máscaras contra el polvo, zapatos antideshlizantes de seguridad, sombrero o protección auditiva para condiciones apropiadas reducirá daños corporales.
  - c) **Evite el arranque accidental.** Asegúrese de que el interruptor se encuentra desactivado antes de enchufar la máquina o colocar la batería, al tomar la herramienta o transportarla. Transportar herramientas con el dedo en el interruptor o enchufar la herramienta cuando el interruptor está encendido invitan a los accidentes.
  - d) **Retire llaves de ajuste o llaves inglesas antes de poner la herramienta en funcionamiento.** Una llave que queda unida a una pieza móvil de la herramienta puede originar daños corporales.
  - e) **No extralimitarse.** Mantenerse firme y con buen equilibrio en todo momento. Esto permite un mejor control de la herramienta en situaciones inesperadas.
  - f) **Vestirse apropiadamente.** No usar ropa suelta ni alhajas. Mantenga el pelo, la ropa y los guantes alejados de las piezas en movimiento. La ropa suelta, las alhajas o el cabello largo pueden ser atrapados por las piezas móviles.
  - g) **Si se proporcionan dispositivos para la extracción y recolección de polvo, asegurarse de que estos estén conectados y utilizados correctamente.** El uso de estos dispositivos puede reducir peligros relacionados con el polvo.
  - h) **No permita que el hecho de estar familiarizado con el uso de herramientas le haga volverse descuidado o ignorar las normas de seguridad.** La falta de atención puede provocar heridas graves en una fracción de segundo.
- ### 4) MANTENIMIENTO DE LA HERRAMIENTA MOTORIZADA
- a) **No forzar la herramienta eléctrica.** Utilizar la herramienta eléctrica correcta para su aplicación. La herramienta eléctrica correcta hará el trabajo mejor y más seguro a la velocidad para la cual fue diseñada.
  - b) **No utilizar la herramienta eléctrica si el interruptor no la enciende o apaga.** Cualquier herramienta eléctrica que no pueda ser controlada con el interruptor es peligrosa y debe ser reparada.
  - c) **Desconecte la clavija de la fuente de alimentación o extraiga la batería (si es desmontable) de la herramienta eléctrica antes de realizar cualquier ajuste, cambiar los accesorios o guardar la herramienta.** Tales medidas de seguridad preventivas reducen el riesgo de arranque accidental de la herramienta.
  - d) **Mantener las herramientas eléctricas que no usa fuera del alcance de los niños y no permita que personas no familiarizadas con la herramienta o con estas instrucciones maneje la herramienta eléctrica.** Las herramientas eléctricas son peligrosas en manos de usuarios inexpertos.
  - e) **Realice un mantenimiento adecuado de las herramientas eléctricas y sus accesorios.** Comprobar si hay desalineamiento o atascamiento de piezas móviles, rotura de piezas en general y cualquier otra condición que pueda afectar la operación normal de la herramienta. Si se verifican daños, recurra a un servicio calificado antes de volver a usar la herramienta. Las herramientas mal mantenidas causan muchos accidentes.

- f) **Mantener las piezas de corte limpias y afiladas.** *Puesto que son menos probables de atascarse y más fáciles de controlar.*
- g) **Utilizar la herramienta eléctrica, accesorios y brocas etc., de acuerdo con estas instrucciones y de la manera prevista para el tipo particular de herramienta eléctrica, teniendo en cuenta las condiciones de trabajo y el trabajo a ser realizado.** *El uso de la herramienta eléctrica para otras operaciones distintas de lo previsto podría dar lugar a una situación peligrosa.*
- h) **Mantenga las empuñaduras y las superficies de agarre secas, limpias y sin aceite ni grasa.** *Una empuñadura o una superficie de agarre resbaladiza dificultan la correcta manipulación y el control de la herramienta en situaciones imprevistas.*

## 5) UTILIZACIÓN Y MANTENIMIENTO DE LA BATERÍA

- a) **Recargar solamente con el cargador indicado por el fabricante.** *Un cargador adaptado a un tipo de batería podría crear un riesgo de incendio si se utiliza con una diferente batería.*
  - b) **Utilizar las herramientas eléctricas solamente con baterías especialmente adaptadas.** *La utilización de cualquier otra batería podría causar un riesgo de incendio o herida.*
  - c) **Cuando la batería no está en uso, tenerla lejos de los objetos metálicos como los trombones, las piezas de moneda, las llaves, los clavos, los tornillos, o cualquier otro pequeño objeto metálico susceptibles de establecer una conexión de un terminal a otra.** *El cortocircuito de un terminal a otra puede causar quemaduras o un incendio.*
  - d) **Hay una fuga de líquido de la batería. Evitar todo contacto.** *Si entre accidentalmente en contacto con este líquido, lavar con agua limpia. En caso de contacto con los ojos, consultar a un médico. El líquido presente en las baterías puede causar irritaciones o quemaduras.*
  - e) **No utilice una batería o una herramienta que estén dañadas o hayan sido modificadas.** *Las baterías dañadas y modificadas pueden comportarse de forma imprevisible y provocar un incendio, una explosión o herir a alguien.*
  - f) **No arroje una batería o herramienta al fuego ni las exponga a una temperatura excesiva.** *La exposición al fuego y a temperaturas superiores a 130 °C puede provocar una explosión.*
  - g) **Respete todas las instrucciones de carga y no cargue la batería o la herramienta fuera del rango de temperatura especificado en las instrucciones.** *Una carga inadecuada o a una temperatura fuera del rango especificado puede ocasionar daños en la batería y aumentar el riesgo de incendio.*
- b) **Mantenga todos los cables de alimentación alejados del área de corte.** *Los cables de alimentación pueden estar ocultos en setos o arbustos y pueden ser cortados accidentalmente por la cuchilla.*
  - c) **Use protección para los oídos.** *El equipo de protección adecuado reducirá el riesgo de pérdida de audición.*
  - d) **Sostenga la recortadora de setos solo por las superficies de agarre aisladas, porque la cuchilla puede entrar en contacto con cables ocultos.** *Las cuchillas que contactan un cable "vivo" pueden hacer que las partes metálicas expuestas de la recortadora de setos se vuelvan "vivas" y podrían darle una descarga eléctrica al operador.*
  - e) **Mantenga todas las partes del cuerpo alejadas de la cuchilla. No retire el material cortado ni sostenga el material a cortar cuando las cuchillas estén en movimiento.** *Las cuchillas continúan moviéndose después de apagar el interruptor. Un momento de distracción mientras opera la recortadora de setos puede resultar en lesiones personales graves.*
  - f) **Al despejar material atascado o dar mantenimiento a la recortadora de setos, asegúrese de que todos los interruptores de alimentación estén apagados y que la batería esté desconectada o retirada.** *La activación inesperada de la recortadora de setos mientras se despeja material atascado o se le da mantenimiento puede resultar en lesiones personales graves.*
  - h) **Lleve la recortadora de setos por el mango con la cuchilla detenida y teniendo cuidado de no accionar ningún interruptor de alimentación.** *Llevar adecuadamente la recortadora de setos disminuirá el riesgo de inicio inadvertido y las lesiones resultantes de las cuchillas.*
  - i) **Al transportar o almacenar la recortadora de setos, siempre use la cubierta de la cuchilla.** *Manipular adecuadamente la recortadora de setos disminuirá el riesgo de lesiones personales por las cuchillas.*
  - j) **Revise los setos y arbustos en busca de objetos extraños, como alambres de cercas y cables ocultos.**
  - k) **Sostenga la recortadora de setos correctamente, por ejemplo, con ambas manos si se proporcionan dos mangos.**
  - l) **La recortadora de setos está destinada a ser utilizada por el operador a nivel del suelo y no en escaleras ni en ningún otro soporte inestable.**
  - m) **Antes de operar la recortadora de setos, el usuario debe asegurarse de que el dispositivo de bloqueo de cualquier elemento móvil (por ejemplo, el eje extendido y el elemento pivotante), si lo hay, esté en posición bloqueada.**
  - n) **Haga que cualquier mecanismo de detención ajustable se mantenga en intervalos regulares.**

## 6) REPARACIÓN

- a) **Permitir que el mantenimiento de su herramienta eléctrica sea efectuado por una persona calificada usando solamente piezas de recambio idénticas.** *Esto es primordial para mantener la seguridad de la herramienta eléctrica.*
- b) **No intente reparar nunca una batería dañada.** *Cualquier intervención técnica en una batería debe ser realizada exclusivamente por el fabricante o por un servicio técnico autorizado.*

## ADVERTENCIAS DE SEGURIDAD PARA LA RECORTADORA DE SETOS

- a) **No utilice la recortadora de setos en condiciones climáticas adversas, especialmente cuando haya riesgo de rayos.** *Esto disminuye el riesgo de ser alcanzado por un rayo.*

## ADVERTENCIAS DE SEGURIDAD PARA RECORTADORAS DE SETOS DE ALCANCE EXTENDIDO

- a) **Siempre use protección para la cabeza cuando opere la recortadora de setos de alcance extendido sobre su cabeza.** *Los escombros que caen pueden causar lesiones personales graves.*
- b) **Siempre use las dos manos al operar la recortadora de setos de alcance extendido.** *Sostenga la recortadora de setos de alcance extendido con ambas manos para evitar perder el control.*
- c) **Para reducir el riesgo de electrocución, nunca use la recortadora de setos de alcance extendido cerca de**

**líneas eléctricas.** El contacto o uso cerca de líneas eléctricas puede causar lesiones graves o descargas eléctricas que pueden resultar en la muerte.

## ADVERTENCIAS DE SEGURIDAD PARA SIERRA DE POSTE

1. Mantenga la sierra de poste a una distancia suficiente de las líneas eléctricas aéreas.
2. Tenga en cuenta los peligros de las posiciones de operación, así como el riesgo de ser golpeado por ramas que caen o ramas que, al golpear el suelo, rebotan, el operador puede ser golpeado por ramas que caen o por aquellas que rebotan después de golpear el suelo. Retire las ramas por secciones.

## ADVERTENCIAS DE SEGURIDAD PARA CORTADORAS DE MALEZA

1. No utilice la máquina cuando el operador esté cansado, enfermo o bajo la influencia de alcohol u otras drogas.
2. Mantenga un firme apoyo y equilibrio durante el funcionamiento. Utilice el arnés proporcionado.
3. Reemplace la cuchilla de corte si está agrietada, astillada o dañada de alguna manera. Asegúrese de que la cuchilla esté instalada correctamente y bien sujeta. No hacerlo puede causar lesiones graves.
4. Manténgase alejado de la cuchilla de corte. Incluso después de que el motor se haya detenido, la cuchilla de corte seguirá girando durante varios segundos. Espere hasta que la cuchilla de corte se haya detenido por completo antes de poner la máquina en el suelo o acceder al área de corte.
5. Apague la máquina cuando no esté cortando. Nunca deje la máquina funcionando sin vigilancia.

## ADVERTENCIAS DE SEGURIDAD PARA CORTABORDES DE CÉSPED



**ADVERTENCIA:** Leer todas las instrucciones. Si no se respetan las instrucciones, existe un riesgo de descargas eléctricas, de incendio y/o de graves heridas.

**Conserve todas las advertencias e instrucciones para futuras consultas.**

El aparato únicamente debe utilizarse con la fuente de alimentación suministrada.

**IMPORTANTE**  
**LEER DETENIDAMENTE ANTES DE UTILIZAR LA HERRAMIENTA**  
**CONSERVAR PARA REFERENCIA FUTURA**

**Prácticas de seguridad operativa**

- 1) **Familiarización**
  - a) Lea cuidadosamente las instrucciones. Familiarícese con los controles y el uso apropiado de la herramienta.
  - b) No permita nunca que utilicen la máquina niños, personas con limitaciones físicas, sensoriales o intelectuales o que no posean la experiencia o los conocimientos necesarios, ni personas que no estén familiarizadas con las presentes instrucciones; la reglamentación local podría limitar la edad del personal operativo.

- c) Recuerde que el usuario u operario es el responsable de los accidentes o riesgos a los que se sometan otras personas o propiedades.

### 2) Preparación

- a) Antes de utilizar la máquina, inspecciónela visualmente para asegurarse de que las protecciones no estén deterioradas, ausentes o mal colocadas.
- b) Nunca utilice la máquina mientras otras personas, especialmente niños o animales domésticos se encuentran en las proximidades.

### 3) Funcionamiento

- a) Utilice protección para los ojos, pantalones largos y calzado reforzado siempre que trabaje en la máquina.
- b) No utilice la máquina en condiciones meteorológicas adversas, especialmente si existe riesgo de relámpagos.
- c) Trabaje únicamente de día o con buena luz artificial.
- d) No utilice la máquina si las protecciones están deterioradas o desmontadas.
- e) El motor solo debe encenderse después de comprobar que las manos y los pies estén suficientemente alejados de los mecanismos de corte.
- f) Desconecte la máquina de la fuente de alimentación (p.ej., retire la batería de la máquina) siempre en los siguientes casos:
  - 1) Siempre que la máquina se quede sin vigilancia;
  - 2) antes de eliminar una obstrucción;
  - 3) antes de realizar comprobaciones, operaciones de limpieza o trabajar con la máquina;
  - 4) después de chocar con un objeto extraño;
  - 5) Si la máquina empieza a vibrar de forma anómala.
- g) Tenga mucho cuidado de no hacerse daño en las manos y los pies con los mecanismos de corte.
- h) Asegúrese siempre de que las aberturas de ventilación se encuentren libres de ruinas.
- i) Nunca utilice elementos metálicos de corte.
- j) Asegúrese de no perder el equilibrio en las pendientes.
- k) Camine, no corra.
- l) No intente llegar más lejos de lo posible y mantenga el equilibrio en todo momento.
- m) No toque ninguna pieza móvil que constituya un peligro hasta que la máquina se haya desconectado de la red eléctrica y todas las piezas móviles estén completamente quietas.

### 4) Mantenimiento y almacenamiento

- a) Antes de empezar cualquier trabajo de mantenimiento o limpieza, desconecte la máquina de la fuente de alimentación (p.ej., retire la batería de la máquina)
- b) Utilice únicamente las piezas de repuesto y los accesorios recomendados por el fabricante.
- c) La máquina se debe inspeccionar y mantener de manera periódica. Todas las reparaciones de la máquina deben encargarse a un especialista autorizado.
- d) Mientras no se encuentre en uso, almacene la máquina fuera del alcance de los niños.

## INSTRUCCIONES DE SEGURIDAD PARA LOS BORDEADORES

### 1. Entrenamiento

- a) Lea las instrucciones cuidadosamente. Familiarícese con los

- controles y el uso adecuado del equipo.
- b) Nunca permita que niños o personas que no estén familiarizadas con estas instrucciones usen el bordeador. Las regulaciones locales pueden restringir la edad del operador.
  - c) Nunca bordee mientras haya personas, especialmente niños, o mascotas cerca.
  - d) Tenga en cuenta que el operador o usuario es responsable de los accidentes o peligros que ocurran a otras personas o su propiedad.

## 2. Preparación

- a) Mientras bordea, siempre use protección ocular y auditiva, calzado resistente y pantalones largos.
- b) Inspeccione minuciosamente la superficie donde se utilizará el equipo y retire todas las piedras, palos, alambres, huesos y otros objetos extraños.
- c) Antes de usar, siempre inspeccione visualmente para asegurarse de que las cuchillas, los pernos de las cuchillas y el conjunto del cortador no estén desgastados o dañados. Reemplace las cuchillas y pernos desgastados o dañados en juegos para preservar el equilibrio.
- d) Utilice solo piezas de repuesto y accesorios recomendados por el fabricante.

## 3. Operación

- a) Bordee solo durante el día o con buena iluminación artificial.
- b) Siempre asegúrese de tener buen equilibrio en pendientes.
- c) Camine, nunca corra.
- d) Tenga extrema precaución al retroceder o jalar el bordeador hacia usted.
- e) Asegúrese de que la cuchilla se haya detenido antes de cruzar superficies que no sean césped y al transportar el bordeador hacia y desde el área a bordear.
- f) Nunca opere el bordeador con protectores defectuosos, faltantes o incorrectamente instalados.
- g) Encienda el motor con cuidado según las instrucciones y mantenga los pies alejados de la(s) cuchilla(s).
- h) No incline el bordeador al encender el motor, a menos que sea necesario inclinarlo para el arranque. En este caso, no lo incline más de lo absolutamente necesario y levante solo la parte que esté alejada del operador.
  - i) No encienda el motor si hay alguien cerca de las cuchillas.
  - j) No coloque manos o pies cerca o debajo de partes rotativas.
  - k) Siempre apague el motor eléctrico y retire el paquete de baterías de la máquina:
    - 1) antes de despejar obstrucciones;
    - 2) antes de verificar, limpiar o trabajar en la(s) cuchilla(s);
    - 3) después de golpear un objeto extraño: inspeccione la(s) cuchilla(s) en busca de daños y realice reparaciones antes de volver a encender y operar el bordeador;
    - 4) si el bordeador comienza a vibrar de manera anormal (verifique de inmediato).
  - l) Siempre retire el paquete de baterías de la máquina cuando deje de usar el bordeador.
  - m) Siempre asegúrese de que las aberturas de ventilación estén libres de escombros.

## 4. Mantenimiento y almacenamiento

- a) Mantenga todos los tuercas, pernos y tornillos apretados para asegurarse de que el equipo esté en condiciones de trabajo seguro.
- b) Reemplace las piezas desgastadas o dañadas.
- c) No intente reparar la máquina a menos que sea competente

para hacerlo.

- d) Utilice solo piezas de repuesto y accesorios recomendados por el fabricante.
- e) Cuando no esté en uso, almacene el bordeador fuera del alcance de los niños.
- f) Inspeccione y mantenga el bordeador regularmente. Haga reparar el bordeador solo por un reparador autorizado.

## Riesgo residual

Incluso si utiliza el 2 x 18V 5 en 1 Herramienta Multiusos de Jardín Inalámbrica correctamente según las instrucciones proporcionadas y siguiendo todas las notas de seguridad, siempre existen riesgos residuales. El siguiente riesgo puede ocurrir:

- Inicio accidental: Siempre retire los paquetes de baterías del dispositivo antes de realizar cualquier ajuste, servicio o mantenimiento. Cuando no esté en uso, guarde los paquetes de baterías en un ambiente seguro, seco y limpio. Reduzca los riesgos residuales utilizando la Herramienta Multiusos de Jardín Inalámbrica 2 x 18V 5 en 1 con cuidado y siguiendo todas las notas de seguridad, así como otras instrucciones.

## ADVERTENCIAS DE SEGURIDAD PARA LA BATERÍA

- a) **No desmonte, abra ni destruya la batería.**
- b) **No provoque un cortocircuito en la batería. No almacene las baterías de forma descuidada en una caja o cajón donde podría provocar un cortocircuito entre ellas o mediante otros objetos metálicos.** Cuando la batería no esté siendo utilizada, manténgala alejada de objetos metálicos, como clips de papel, monedas, llaves, clavos, tornillos u otros objetos metálicos pequeños, que pueden posibilitar la conexión de un borne con otro. Al provocar un cortocircuito con los bornes de la batería se pueden sufrir quemaduras o generar un incendio.
- c) **No exponga las baterías al calor o al fuego. No las guarde expuestas directamente al sol.**
- d) **No exponga las baterías a impactos mecánicos.**
- e) **En caso de que la batería tenga fugas de líquido, no permita que el líquido entre en contacto con la piel o los ojos. Si se produce el contacto, lave la zona afectada con grandes cantidades de agua y acuda a un médico.**
- f) **Acuda a un médico inmediatamente si se ha ingerido una pila o una batería.**
- g) **Mantenga las baterías limpias y secas.**
- h) **Cargue la batería antes de utilizarla. Consulte siempre estas instrucciones y aplique el procedimiento de carga adecuado.**
- i) **No deje la batería cargándose durante prolongados períodos de tiempo cuando no se utilice.**
- j) **Después de prolongados períodos de almacenamiento, puede que sea necesario cargar y descargar la batería varias veces para obtener el máximo rendimiento.**
- k) **Las baterías recargables proporcionan mejor rendimiento cuando se utilizan a temperatura ambiente normal (20 °C ± 5 °C).**
- l) **Al eliminar las baterías, mantenga las baterías de distinto sistema electroquímico separadas unas de otras.**
- m) **Recargue solo con el cargador indicado por WESCO. No utilice ningún otro cargador que no sea el específicamente proporcionado para el uso con este equipo. El cargador adecuado para un tipo de baterías puede provocar un incendio si se utiliza con otro tipo de baterías.**

- n) No utilice ninguna batería distinta a la diseñada para utilizarse con el aparato.
- o) Mantenga la batería fuera del alcance de los niños.
- p) Conserve la documentación original del producto por si tuviera que consultarla en otro momento.
- q) Deshágase del producto correctamente.
- r) No se deben mezclar pilas de diferentes fabricantes, capacidad, tamaño o tipo en un mismo dispositivo.
- s) ¡Advertencia! No utilice pilas no recargables.

## ADVERTENCIAS DE SEGURIDAD GENERALES PARA CARGADORES

**ADVERTENCIA** Lea todas las advertencias de seguridad y todas las instrucciones. El incumplimiento de cualquiera de las instrucciones o las advertencias, puede tener como resultado una descarga eléctrica, un incendio y/o lesiones graves.

**Conserve todas las advertencias y las instrucciones para consultarlas en el futuro.**

Este dispositivo puede ser utilizado por niños a partir de 8 años y personas con capacidades físicas, sensoriales o mentales reducidas, o falta de experiencia y conocimiento si se les ha proporcionado supervisión o instrucción con referencia al uso de este dispositivo de manera segura y que entiendan los riesgos involucrados.

Los niños no deben jugar con este aparato. La limpieza y mantenimiento de uso no deben ser llevados a cabo por niños sin supervisión de un adulto.

Si el cable de alimentación está dañado, debe ser reemplazado por el fabricante, su service autorizado o personas calificadas, a fin de evitar riesgos.

## INSTRUCCIONES DE SEGURIDAD ADICIONALES PARA SU CARGADOR

1. Antes de cargar la batería, lea las instrucciones.
2. No cargue una batería que presente una fuga.
3. No utilice los cargadores para trabajos para los que no se hayan diseñado.
4. Antes de cargar una batería, asegúrese de que su cargador sea el adecuado para el suministro eléctrico de CA local.
5. Para uso en interiores, no exponer a la lluvia.
6. El dispositivo de carga debe estar protegido de la humedad.
7. No utilice el dispositivo de carga al aire libre.
8. No cortocircuite los contactos de la batería ni del cargador.
9. Respete la polaridad "+/-" a la hora de cargar.
10. No abra la unidad y manténgala fuera del alcance de los niños.
11. No cargue las baterías de otros fabricantes o de modelos que no encajen bien.
12. Asegúrese de que la conexión entre el cargador y la batería sea correcta y no esté obstruida por cuerpos extraños.
13. Mantenga las ranuras del cargador libres de objetos extraños y protéjalas de la suciedad y la humedad. Guárdela en un lugar seco y sin riesgo de congelación.
14. A la hora de cargar baterías, asegúrese de que el cargador de batería esté en una zona bien ventilada y lejos de materiales inflamables. Las baterías se pueden calentar durante la carga. No sobrecaliente las baterías. Asegúrese de que las baterías y los cargadores no estén sin supervisión durante la carga.
15. No recargue baterías no recargables, ya que pueden sobrecalentarse y romperse.

16. Para lograr una mayor vida útil y un mejor rendimiento, cargue la batería cuando la temperatura ambiente esté entre 18°C y 24°C. No cargue la batería si la temperatura ambiente es inferior a 0°C, o superior a 40°C. Este factor es importante, ya que puede evitar daños graves a la batería.
17. Cargue exclusivamente el pack de batería del mismo modelo que el suministrado por WESCO y de modelos recomendados por WESCO.

## SÍMBOLOS



Para reducir el riesgo de lesión, lea el manual de instrucciones.



Utilice protección auditiva



Utilizar protección ocular



Utilizar una máscara antipolvo



Evite cualquier exposición a la lluvia



Mantenga las manos alejadas de la hoja



Protección para la cabeza



Mantenga suficiente distancia de las líneas eléctricas



Lea el manual



Mantenga alejados a los visitantes.



Guantes protectores





Calzado de protección



Usar ropa de protección



La distancia entre la máquina y los espectadores debe ser de al menos 15 m



Precaución con objetos lanzados



Precaución con el empuje de la cuchilla



Mantenga a los espectadores a una distancia segura.



Usar protección auditiva y ocular



Dirección de rotación de la cuchilla cortadora de bordes



Objetos lanzados



Cuchilla cortadora giratoria



Usar protección auditiva y ocular



Advertencia



Li-Ion



Batería de iones de litio. Este producto tiene una marca que lo designa para la recogida selectiva, junto con otras pilas y baterías. Una vez recogido, se reciclará o se desmontará con el fin de reducir el impacto en el medioambiente. Las baterías contienen sustancias peligrosas y pueden ser perjudiciales para el medioambiente y para la salud de las personas.



Si no se eliminan correctamente, las baterías podrían interferir en el ciclo del agua, una situación que pondría en riesgo el ecosistema. Por este motivo, las baterías no deben eliminarse junto con los residuos municipales sin clasificar.



No quemar



Doble aislamiento(Cargador)



Uso interno solamente (Cargador)



Leer el manual



Terminal positivo



Terminal negativo



Fusible



Los residuos de aparatos eléctricos y electrónicos no deben depositarse en la basura doméstica. Se deben reciclar en las instalaciones especializadas. Consulte a las autoridades locales o el establecimiento para saber cómo reciclar estos productos.



# INSTRUCCIONES DE FUNCIONAMIENTO



**NOTA:** Antes de usar la herramienta lea el manual de instrucciones detenidamente.

## USO INDICADO

- 1) Desbrozadora: Con la cuchilla cortadora adjunta, el producto está destinado a cortar malezas más pesadas, arbustos y vegetación similar.
- 2) Recortadora de línea: Con el carrete de línea adjunto, el producto está destinado a cortar tipos más pequeños de malezas, césped o vegetación suave similar. No debe usarse para trabajar en césped excepcionalmente grueso, seco o mojado, por ejemplo, pasto de pastizal, ni para triturar hojas.
- 3) Bordeadora: Con el bordeador adjunto, el producto está destinado a bordear caminos, entradas, camas de flores, etc.
- 4) Cortasetos de pértiga: Con la cuchilla cortasetos adjunta, el producto está destinado a recortar setos anchos y altos, arbustos y matas.
- 5) Motosierra de pértiga: Con el conjunto de cadena/guía de la sierra adjunto, el producto está destinado a cortar ramas.

## ENSAMBLAJE



**ADVERTENCIA:** Independientemente de cómo use el producto, debe instalar el mango y colocar la correa para el hombro antes de usarlo.

### 1. MONTAJE DEL MANGO EN FORMA DE P



**PRECAUCIÓN:** Los dispositivos no deben ser operados antes de que hayan sido completamente ensamblados.



**PRECAUCIÓN:** No inserte los paquetes de baterías hasta que la herramienta haya sido completamente ensamblada.

- 1) Afloje y retire los 4 pernos hexagonales (49) del mordaza inferior del mango en forma de P (48). (Fig. A1)
- 2) Coloque la abrazadera media del mango en forma de P (2) en el eje superior, y coloque la ranura de la mordaza inferior del mango en forma de P alineada con la ranura de la abrazadera media del mango en forma de P. (Fig. A2)
- 3) Coloque la mordaza inferior del mango en forma de P (48) sobre la parte inferior de la abrazadera media del mango en forma de P (2) de modo que la mordaza inferior del mango en forma de P (48) se alinee con la abrazadera media del mango en forma de P (2). (Fig. A2)
- 4) Coloque la mordaza superior del mango en forma de P (47) sobre la mordaza inferior del mango en forma de P (48), coloque los 4 pernos hexagonales para el mango en forma de P (49) en los 4 agujeros alineados de la mordaza superior del mango en forma de P (47) y la mordaza inferior del mango en forma de P (48). (Fig. A3)
- 5) Apriete el mango en forma de P girando los 4 pernos, en sentido horario, con la llave hexagonal de 4 mm (44) proporcionada. (Fig. A4)

### 2. COLOCACIÓN DE LA CORREA PARA EL HOMBRO

Asegure el gancho de la correa para el hombro (46) de la correa para el hombro (45) al ojal (3) en el eje (Fig. B). Se recomienda siempre sujetar la correa para el hombro (45) al usar la herramienta.



**IMPORTANTE:** Nunca coloque la correa para el hombro diagonalmente a través de su hombro y su

pecho, sino que colóquela en uno de sus hombros. De esta manera, puede quitar los dispositivos rápidamente de su cuerpo en caso de peligro.

### 3. CONEXIÓN DEL EJE INFERIOR AL EJE SUPERIOR

- 1) Afloje el perno de bloqueo del eje (1) girándolo en sentido antihorario. (Fig. C1)
- 1) Alinee el agujero en la manga del eje superior con el botón de liberación del eje inferior (14) y comience a insertar el eje inferior en el eje superior (4). Gire ligeramente el eje hacia arriba y hacia abajo hasta que el botón de liberación del eje inferior (14) se enganche en el agujero de la manga del eje inferior. Cuando esté enganchado, escuchará un clic cuando se bloquee en su lugar. (Fig. C2)

**NOTA:** Asegúrese de comprobar que el eje inferior no se pueda tirar hacia afuera cuando el bloqueo esté correctamente enganchado.

- 3) Cuando el eje esté colocado, vuelva a apretar el perno de bloqueo del eje girándolo en sentido horario. (Fig. C3)

### 4. PREPARACIÓN DEL PRODUCTO

El producto cuenta con cuatro accesorios, que puedes combinar con la cabeza del motor (11) para crear diferentes herramientas de trabajo: una desbrozadora o recortadora de línea, una motosierra de pértiga, un cortasetos de pértiga o una bordeadora. Prepara los diversos accesorios para su uso de la siguiente manera:

### 5. PREPARACIÓN DE LA RECORTADORA DE LÍNEA Y LA DESBROZADORA



**ADVERTENCIA:** Al utilizar la desbrozadora o la recortadora de línea, el protector (piezas 15 y 17) debe estar instalado.

El accesorio para la desbrozadora y las recortadoras de línea es un solo accesorio que puedes combinar con la cabeza del motor (11). El accesorio en sí tiene dos dispositivos de corte intercambiables: la cabeza de la caja de engranajes utilizada con el carrete de la recortadora de línea (9) utilizado para recortar y cortar césped y malezas, etc., y la cabeza de la caja de engranajes utilizada con la cuchilla de la desbrozadora (18) utilizada para cortar malezas y vegetación más gruesas.

El uso de ambas funciones requiere que el protector (piezas 15 y 17) se ensamble en la cabeza de la caja de engranajes. No utilice el accesorio sin el protector (piezas 15 y 17) ensamblado de la siguiente manera:

- 1) Inserte el eje de la recortadora de línea/desbrozadora (13) en la ranura en la parte inferior del accesorio del protector de la recortadora de línea (15) de montaje mediante presión para que el eje esté ubicado encima y los agujeros roscados en el eje se alineen con los agujeros en el accesorio del protector de la recortadora de línea (15). (Fig. D1)
- 2) Fije el protector de la desbrozadora (17) en la parte inferior del accesorio del protector de la recortadora de línea (15) de montaje mediante presión, insertando el pasador en el protector de la desbrozadora (17) a través del agujero provisto en el accesorio del protector de la recortadora de línea (15) de montaje mediante presión para que el agujero roscado en el protector de la desbrozadora (17) esté sobre el agujero roscado en el accesorio del protector de la recortadora de línea (15) de montaje mediante presión. (Fig. D2, D3)
- 3) Asegure los tres componentes juntos girando el tornillo corto en la herramienta combinada en sentido horario utilizando la llave (41) (parte destornillador) proporcionada. (Fig. D4)


## 6. ENSAMBLAJE DE LA RECORTADORA DE LÍNEA

- 1) Coloque el protector (10) sobre el eje de manera que el agujero en el lateral del protector (10) quede sobre una de las dos hendiduras en los laterales del eje. (Fig. E1)
- 2) Coloque el anillo interior (12) con la hendidura sobre el protector (10). (Fig. E2)
- 3) Inserte la varilla de bloqueo del eje (42) a través del agujero en el lateral del protector (10) para fijarlo en posición de manera segura. (Fig. E3)
- 4) Atornille el carrete de la recortadora de línea (9) sobre el eje girándolo en sentido antihorario. Mantenga el protector (10) en posición con la varilla de bloqueo del eje (42) para que no gire con el carrete de la recortadora de línea (9). (Fig. E3) Ha instalado correctamente el carrete de la recortadora de línea.

## 7. ENSAMBLAJE DE LA DESBROZADORA

- 1) Coloque el protector (10) sobre el eje de manera que el agujero en el lateral del protector (10) quede sobre una de las dos hendiduras en los laterales del eje. (Fig. E1)
- 2) Coloque la cuchilla de la desbrozadora (18) sobre el protector (10) en el eje. (Fig. F1)
- 3) Coloque el anillo interior (12) con la hendidura encima de la cuchilla de la desbrozadora (18). (Fig. F2)
- 4) Coloque el anillo exterior (19) con la abertura hacia arriba sobre el anillo interior (12) en el eje. (Fig. F2)
- 5) Inserte la tuerca de la cuchilla (20) encima del anillo exterior (19), en el eje y apriétela girándola en sentido antihorario con la llave (13 mm) (41) proporcionada. (Fig. F3)


## 8. PREPARACIÓN DE LA MOTOSIERRA DE PÉRTIGA

 **ADVERTENCIA:** La motosierra de pértiga nunca debe ser operada sin aceite para la cadena de sierra, ya que esto dañará la motosierra de pértiga y el motor.


**NOTA:** Debes comprar el aceite para la cadena de sierra por separado, no está incluido. El nivel de aceite también debe ser revisado regularmente durante el trabajo.

## 9. LLENADO DEL DEPÓSITO DE ACEITE

- 1) Retire los paquetes de baterías si ya los ha instalado.
- 2) Abra la tapa del depósito de aceite (28) girándola en sentido antihorario. (Fig. G1)
- 3) Llene un máximo de 135 ml de aceite para cadena de sierra en el depósito de aceite (32).
- 4) Vuelva a colocar la tapa del depósito de aceite (28) y apriétela girándola en sentido horario.
- 5) Revise regularmente el nivel de aceite y llene el depósito de aceite con aceite para cadena de sierra si es necesario.
- 6) Para reducir o aumentar el flujo de aceite desde el depósito de aceite hacia la cadena, gire el tornillo de ajuste de aceite (34). Gírelo en sentido horario para aumentar y en sentido antihorario para reducir el flujo de aceite hacia la cadena. (Fig. G2)

 **ADVERTENCIA:** Retire todo el aceite para cadena de sierra del depósito de aceite si no va a utilizar la motosierra de pértiga durante mucho tiempo. El depósito de aceite también debe ser vaciado antes de transportar la motosierra de pértiga.

## 10. AJUSTE DE LA TENSIÓN DE LA CADENA


 **ADVERTENCIA:** Una cadena de sierra que no esté suficientemente tensada o una cadena de sierra que esté demasiado tensada puede causar lesiones graves y daños a la propiedad.


**NOTA:** Verifique la tensión de la cadena antes de cada uso y

ajústela si es necesario.

**El motosierra de pértiga se entrega completamente ensamblado, incluyendo la barra guía y la cadena de sierra. El ajuste de la tensión de la cadena se realiza de la siguiente manera:**


- 1) Retire la cubierta de la barra guía (35) de la barra guía (26) y la cadena de sierra (25).
- 2) Afloje un poco la cubierta de la cadena (27) de la motosierra de pértiga girando la tuerca de bloqueo de la cubierta de la cadena (30) en sentido antihorario utilizando la llave suministrada (10 mm) (41). No retire la cubierta de la cadena (27). (Fig. H1)
- 3) Para aumentar la tensión de la cadena, gire el tornillo de ajuste de la tensión de la cadena (33) en sentido horario. Para reducir la tensión de la cadena, gire el tornillo de ajuste de la tensión de la cadena (33) en sentido antihorario. (Fig. H2)
- 4) La tensión correcta de la cadena se alcanza cuando la cadena puede elevarse aproximadamente 3-5 mm desde la barra guía (26) en el centro. Esto se debe hacer utilizando una mano para levantar la cadena contra el peso de la máquina. No ajuste demasiado la cadena. (Fig. H3)
- 5) Después de ajustar la tensión de la cadena, vuelva a apretar la tuerca de bloqueo de la cubierta de la cadena (30) para asegurar la cubierta de la cadena.

 **ADVERTENCIA:** Ajuste inmediatamente la tensión de la cadena si la cadena de sierra ondea o sale del surco de la barra guía.

 **ADVERTENCIA:** La tensión de la cadena tiene una gran influencia en la vida útil de la cadena de sierra y la barra guía. Por lo tanto, debe ser revisada regularmente. Cuando la cadena de sierra se calienta a la temperatura de funcionamiento, la tensión de la cadena cambia y debe ser readaptada. Una nueva cadena de sierra debe ser reajustada con más frecuencia hasta que haya cambiado de longitud.

## 11. PREPARACIÓN DE LA CORTASETOS DE PÉRTIGA

**NOTA:** Retire las cubiertas de protección de las cuchillas (38) antes de usar el cortasetos de pértiga.


 **ADVERTENCIA:** Un ángulo de cabeza incorrecto puede provocar lesiones graves y causar daños a la propiedad. No utilice el dispositivo antes de ajustar el ángulo de la cabeza.

## 12. AJUSTE DEL ÁNGULO DE LA CABEZA DEL CORTASETOS DE PÉRTIGA

**Puedes ajustar el ángulo de corte (12 posiciones en total) según tus necesidades.**

- 1) Retire los paquetes de baterías si ya los ha instalado.
- 2) Presione y mantenga presionada la palanca de seguridad (37) en el cortasetos de pértiga. (Fig. I1)
- 3) Empuje y mantenga presionada la cabeza de corte hasta que se libere del engranaje.
- 4) Gire la cabeza de corte hasta el ángulo deseado. (Fig. I2)
- 5) Suelte la palanca de seguridad (37) para bloquear la cabeza de corte en el ángulo deseado. Ha ajustado correctamente el ángulo del cortasetos de pértiga.

## 13. PREPARACIÓN DEL BORDEADOR ENSAMBLAJE DE LA RUEDA DEL BORDEADOR


 **ADVERTENCIA:** La rueda del bordeador no está ensamblada cuando se entrega. Ensamble la rueda del bordeador antes de operar.

- 1) Retira los paquetes de baterías si ya has instalado los

paquetes de baterías.

- Retira la tuerca de bloqueo de la rueda de la bordeadora (a) y los 2 x arandelas (b) de la rueda de la bordeadora. (Fig. J1)
- Coloca la bordeadora en posición para ensamblar al alinear la tuerca de bloqueo de la rueda de la bordeadora (a) y las 2 x arandelas (b) en el lado exterior del riel de montaje de la rueda de la bordeadora con la rueda de la bordeadora. (Fig. J2)
- Una vez en posición, inserta la tuerca de bloqueo de la rueda de la bordeadora (a) y las 2 x arandelas (b) en la rueda de la bordeadora a través del riel de montaje de la rueda de la bordeadora. (Fig. J2)
- Instala el botón de ajuste de la profundidad de la rueda de la bordeadora (24) y luego apriétalo completamente girándolo en sentido horario. (Fig. J3)

#### AJUSTE DE LA PROFUNDIDAD DE LA BORDEADORA

 **ADVERTENCIA:** Una profundidad incorrecta de la bordeadora puede provocar lesiones graves y dañar la propiedad. No utilices el dispositivo antes de ajustar la profundidad.

**NOTA:** Detén el motor y retira los paquetes de baterías antes de ajustar la profundidad de corte.

**Puedes ajustar la profundidad de la bordeadora según tus necesidades.**

- Retira los paquetes de baterías si ya los has instalado.
- Afloja el botón de ajuste de profundidad de la rueda de la bordeadora (24) girándolo en sentido contrario a las agujas del reloj. (Fig. K1)
- Mueve el brazo de la rueda hacia arriba para aumentar la profundidad o hacia abajo para disminuir la profundidad según tus necesidades de trabajo. (Fig. K2)
- Después de completar el ajuste, asegura firmemente el botón de ajuste de profundidad de la rueda de la bordeadora (24) girándolo en sentido horario.

#### ANTES DE PONER EN FUNCIONAMIENTO

##### 1. CARGAR LA BATERÍA

- No use ningún cargador que no sea el específicamente provisto para usar con el equipo.
- Si la batería está muy caliente, debe retirarla del cargador y dejar que la batería se enfríe antes de recargarla.
- La batería de su nueva herramienta no está cargada cuando sale de la fábrica. Por lo tanto, debe cargar su batería completamente antes de usarlo por primera vez.
- Cargue la batería hasta que esté llena antes de almacenarla. Si la herramienta no se utilizará durante largos períodos de tiempo, cárguela cada 3-6 meses.



##### PROCEDIMIENTO DE CARGA (VÉASE LA FIG. A1-A3)


- Enchufe el cargador en una toma de corriente apropiada. La luz verde se iluminará.
- Inserte el acumulador en el cargador; la luz del testigo pasará a ser de color rojo para indicar que se ha iniciado el proceso de recarga.
- Una vez completada la recarga, la luz del cargador se volverá otra vez de color verde. La batería estará ahora totalmente recargada. Desenchufe el cargador y retire la batería.

##### INDICADOR DE CARGA

Este cargador está diseñado para detectar algunos problemas en las baterías. Las luces indicadoras le alertarán de algún problema (vea el cuadro más abajo). De ocurrir esto, inserte una batería nueva para determinar si el cargador está funcionando correctamente. Si la nueva batería se carga correctamente significa que la batería

original sufre algún defecto y debe devolverse al servicio técnico o a un punto de recogida de artículos reciclables. Si se observan los mismos problemas con la batería nueva, entregue el cargador en un servicio técnico autorizado para que la prueben.

Luz	Estado
Rojo encendido 	Cargando
Verde encendido 	Batería totalmente cargada

 **ADVERTENCIA:** Si se agota la carga de la batería debido al uso continuado o la exposición a la luz solar directa o el calor, Deje tiempo suficiente para que la batería se enfríe antes de cargarla de nuevo para que se cargue al máximo.

##### REVISANDO LA CONDICIÓN DE LA BATERÍA (VER FIG. L1)

El nivel de la batería se puede conocer a través de la luz indicadora de la batería al presionar el botón (a) junto a las luces.

##### 2. QUITAR O INSTALAR LOS PAQUETES DE BATERÍA (Ver Fig. L2, L3)


Presiona el botón de liberación de la batería para liberar los paquetes de batería de tu herramienta. Después de recargar, inserta los paquetes de batería en el puerto de la batería de la herramienta. Un empuje simple y una ligera presión serán suficientes.

**NOTA:** Esta máquina solo funcionará cuando se instalen 2 baterías. Se recomienda utilizar las mismas dos baterías y cargarlas al mismo tiempo.

#### OPERACIÓN

##### 1. ENCENDIDO Y APAGADO

El dispositivo está equipado con un circuito de seguridad. Presiona primero el botón de bloqueo de seguridad (5) para desbloquear la herramienta, luego presiona la palanca del gatillo de encendido/apagado (6) para iniciar la herramienta. (Fig. L4)

 **ADVERTENCIA:** Las cuchillas en todos los accesorios siguen funcionando durante un corto período de tiempo después de ser apagadas. ¡Existe riesgo de lesiones! Sujeta el dispositivo hasta que las cuchillas se detengan. No coloques el dispositivo antes de que las cuchillas se detengan.

- Sujeta el dispositivo con la mano derecha en el mango trasero y la mano izquierda en el mango en forma de P.
- No importa qué accesorio uses, asegúrate de que nada toque el dispositivo de corte respectivo para que pueda arrancar de manera segura.
- Presiona y mantén presionado el botón de seguridad de seguridad (5) en el mango trasero con el pulgar.
- Presiona la palanca del gatillo de ENCENDIDO/APAGADO (6) con la misma mano.

**Atención; ¡el dispositivo está encendido ahora!**

- Suelta la palanca del gatillo de ENCENDIDO/APAGADO (6) para detenerlo.

##### 2. USO DEL RECORTADOR DE LÍNEA (CON CARRETE)

- Sujeta el dispositivo con la mano derecha en el mango trasero y la mano izquierda en el mango en forma de P.
- Asegúrate de tener un apoyo firme. Mantén los pies separados. Distribuye tu peso de manera uniforme en ambos pies.
- Enciende el dispositivo según se describe en el capítulo "Encendido y apagado".
- Mantén la cabeza del recortador a un ángulo de aproximadamente 30° respecto al suelo cuando estés recortando.
- No cortes hierba mojada, ya que tiende a pegarse a la cabeza del recortador y al protector, evita la descarga adecuada de los

recortes de hierba y podría causarte resbalones y caídas.

- Retira regularmente los recortes y la suciedad alrededor de la cabeza del recortador ÚNICAMENTE cuando la unidad esté apagada y las baterías estén retiradas.
- Trabaja rítmicamente, mantente firme con los pies separados. Corta de derecha a izquierda para que los recortes sean arrojados lejos del área de trabajo.
- Cuando cortes hierba más larga o alta, asegúrate de cortarla en 2 o 3 etapas.
- No muevas el recortador demasiado rápido, ya que esto resultará en un corte ineficaz y posibles daños.



**ADVERTENCIA:** Asegúrate de que la línea esté alimentada antes de operar. Asegúrate de que el motor esté a plena velocidad antes de recortar.



**ADVERTENCIA:** Siempre usa protección ocular. Nunca te inclines sobre la cabeza del recortador. Las rocas o los escombros pueden rebotar o ser arrojados a los ojos y la cara, causando ceguera u otras lesiones graves.



**ADVERTENCIA:** Al operar el dispositivo, verifica lo siguiente: usa protección ocular y ropa resistente, y utiliza la correa para el hombro suministrada. Sujeta el mango delantero con una mano y el mango en forma de P con la otra. Mantén el dispositivo por debajo del nivel de la cintura. Trabaja solo de derecha a izquierda para asegurarte de que los escombros sean arrojados lejos de ti. Sin inclinarte, mantén la línea cerca y paralela al suelo y no la amontones en el material que estás cortando.

### 3. AJUSTE DE LA LONGITUD DE LA LÍNEA EN LA CABEZA DEL CARRETE

Cuando uses el carrete del recortador de línea (9), la línea se desgasta con el tiempo y tendrás que liberar nueva línea del carrete del recortador de línea (9). El carrete del recortador de línea (9) de este dispositivo permite al operador liberar más línea de corte sin detener el motor.

Acelera la línea a la velocidad máxima y golpea el botón de golpe (52) en la parte inferior del carrete del recortador de línea (9) en el suelo mientras operas el recortador. (Fig. M1)

### 4. AJUSTE DEL ANCHO DE LA LÍNEA DE CORTE

La cabeza del recortador permite al operador liberar más línea de corte sin detener el motor. A medida que la línea se desgasta o se deshilacha, se puede liberar línea adicional golpeando ligeramente el botón de golpe (52) en el suelo mientras se opera el recortador.

**NOTA:** La liberación de la línea se volverá más difícil si el cuchillo de corte (16) se vuelve demasiado desafilado.

**NOTA:** El ancho de corte original es de 330 mm. Hay dos tipos de anchos de corte. Cuando el cuchillo de corte (16) está montado en la ubicación como se muestra en la Fig. M2, el ancho de corte es de 330 mm. Cuando el cuchillo de corte (16) está montado en la ubicación como se muestra en la Fig. M3, el ancho de corte es de 380 mm.

**Cambia el ancho de corte de la siguiente manera:**

- Apaga el dispositivo y espera a que se detenga por completo.
- Retira los paquetes de baterías.
- Aloja el cuchillo de corte (16) desde el interior del accesorio de protección del recortador de línea de enganche (15) retirando los 2 tornillos con la llave (parte destornillador) proporcionada, en dirección antihoraria.
- Atornilla el cuchillo de corte (16) de nuevo en la posición deseada. Ahora has configurado correctamente la posición del cuchillo de corte (16).

## 5. USO DEL DESBROZADOR



**ADVERTENCIA:** Para cortar crecimiento silvestre y matorrales, baja la cabeza de corte sobre el crecimiento para lograr un efecto de picado. Utiliza el desbrozador como una guadaña (barrido hacia la derecha e izquierda) a nivel del suelo. No utilices la unidad de corte por encima de la altura de la cintura.



**ADVERTENCIA:** Cuanto más alta esté la unidad de corte sobre el suelo, mayor será el riesgo de lesiones por la proyección de recortes hacia los lados.



**ADVERTENCIA:** Usa protección ocular y ropa resistente, y utiliza la correa para el hombro suministrada durante la operación.

- Sujeta el dispositivo con la mano derecha en el mango trasero y la mano izquierda en el mango en forma de P.
- Asegúrate de tener un apoyo firme. Mantén los pies separados. Distribuye tu peso de manera uniforme en ambos pies.
- Enciende el dispositivo según se describe en el capítulo "Encendido y apagado".
- Nunca sostengas la cabeza de trabajo más alta que tu cadera. Trabaja con precaución. Cuanto más alto sostengas el dispositivo, mayor será el riesgo de objetos o recortes arrojados.
- Hunde la cuchilla desde arriba al cortar árboles de bajo crecimiento.
- Mueve la cuchilla cerca del suelo para cortar árboles jóvenes o hierba.



**ADVERTENCIA:** No intentes cortar material leñoso con un diámetro mayor, ya que la cuchilla puede engancharse o hacer que el desbrozador avance bruscamente. Esto puede causar daños a la cuchilla o al desbrozador, o pérdida de control del desbrozador, lo que resultaría en lesiones personales.



**ADVERTENCIA:** El uso incorrecto de una cuchilla puede hacer que se agriete, astille o se rompa. Las partes arrojadas pueden causar lesiones graves al operador o a personas cercanas. Para reducir el riesgo de lesiones personales, es esencial tomar las siguientes precauciones.

- Evita el contacto con objetos extraños duros o sólidos como piedras, rocas o trozos de metal.
- Nunca cortes madera o arbustos con un diámetro de tallo de más de 2 cm.
- Inspecciona la cuchilla regularmente en intervalos cortos en busca de signos de daño. No continúes trabajando con una cuchilla dañada.
- Afila la cuchilla regularmente (cuando esté notablemente desafilada) y hazla balancear si es necesario (realizado por un técnico de servicio calificado).

## 6. USO DE LA SIERRA DE POSTE



**ADVERTENCIA:** Antes de usar la sierra de poste, verifica que el tanque de aceite esté lleno. Esto asegura que la cadena esté lubricada, lo cual se hace automáticamente. Si es necesario, llena el tanque de aceite según se describe en el capítulo "Llenado del tanque de aceite".



**ADVERTENCIA:** No te coloques directamente debajo de una rama que se esté cortando. Mantén a los espectadores alejados. No te pongas de pie en una escalera u otro tipo de soporte inestable mientras usas el dispositivo. No uses el dispositivo cerca de cables, líneas eléctricas o telefónicas. Mantente a 3 m (10 pies) de distancia de todas las líneas eléctricas.



**ADVERTENCIA:** Siempre usa un casco al cortar por encima de la altura de tu cabeza, de lo contrario, puedes lesionarte por la caída de recortes.

- 1) Utiliza ambas manos para agarrar la sierra de poste. Mantén un agarre firme. Los pulgares y los dedos deben envolver el mango y el poste de la sierra de poste.
- 2) Asegúrate de tener un apoyo firme. Mantén los pies separados. Distribuye tu peso de manera uniforme en ambos pies.
- 3) Enciende el producto según se describe en el capítulo "Encendido y apagado". Asegúrate de que la sierra de poste esté funcionando a toda velocidad antes de comenzar un corte.
- 4) Al iniciar un corte, coloca la cadena en movimiento contra la madera que se está cortando. Sujeta firmemente la sierra de poste en su lugar para evitar posibles rebotes o deslizamientos (movimiento lateral) de la sierra.
- 5) Guía la sierra de poste utilizando una ligera presión. No fuerces. El motor se sobrecargará y puede quemarse. Realizará el trabajo mejor y de manera más segura a la velocidad para la que fue diseñado.
- 6) Retira la sierra de poste de un corte con la sierra funcionando a toda velocidad. Detén la sierra de poste liberando la palanca del gatillo de encendido/apagado (6). Asegúrate de que la cadena de la sierra (25) se haya detenido antes de colocar la sierra de poste en el suelo.

## 7. PODAR UN ÁRBOL



**ADVERTENCIA:** Evita el retroceso. El retroceso puede resultar en lesiones graves o la muerte. Consulta el apartado sobre retroceso para evitar el riesgo de retroceso.



**ADVERTENCIA:** No uses la sierra de poste mientras: 1) estés en un árbol; 2) estés en una escalera u otra superficie inestable; 3) te encuentres en una posición incómoda. Puedes perder el control de la sierra de poste, causando lesiones graves.



**ADVERTENCIA:** No extiendas los brazos por encima de los hombros al usar la sierra de poste.



**PRECAUCIÓN:** Busca ayuda profesional si te enfrentas a condiciones más allá de tus capacidades.

Podar un árbol es el proceso de cortar ramas de un árbol vivo. Asegúrate de tener un buen apoyo. Mantén los pies separados. Distribuye tu peso uniformemente en ambos pies. Sigue las siguientes instrucciones para podar un árbol.

- 1) Haz el primer corte a 15 cm (6 pulgadas) del tronco del árbol en la parte inferior de la rama. Usa la parte superior de la barra guía para hacer este corte. Corta 1/3 del diámetro de la rama.
- 2) Muévete de 5 cm (2 pulgadas) a 10 cm (4 pulgadas) más hacia afuera en la rama. Haz el segundo corte desde arriba de la rama. Continúa cortando hasta que cortes la rama.
- 3) Haz el tercer corte lo más cerca posible del tronco del árbol en la parte inferior del muñón de la rama. Usa la parte superior de la barra guía para hacer este corte. Corta 1/3 del diámetro del muñón.
- 4) Haz el cuarto corte directamente encima del tercer corte. Corta hacia abajo para encontrarte con el tercer corte. Esto removerá el muñón de la rama.

## 8. PUNTA DE TOPE

La punta de tope (c) se puede utilizar como palanca durante el serrado al reposicionarla en un punto más bajo debajo del corte al cortar ramas o troncos gruesos. (Fig. N)

Para hacer esto, jale un poco hacia atrás la sierra de pértiga después del corte para liberar la punta de tope (c) y colocarla nuevamente más abajo. No retire la sierra del corte.

Al cortar, no presione la sierra de pértiga con fuerza, sino que

permita que trabaje aplicando una ligera presión de palanca hacia adelante a través de la punta de tope (c) y siga serrando más hacia el corte existente.

El resultado óptimo de serrado se logra si la velocidad de la cadena durante el serrado no disminuye debido a la sobrecarga.

## 9. USO DEL RECORTASETOS DE PÉRTIGA



**ADVERTENCIA:** Durante el trabajo de corte, asegúrate de no hacer contacto con objetos, como cercas de alambre o tallos principales de plantas. Esto puede resultar en daños a la cuchilla.



**ADVERTENCIA:** No te pongas directamente debajo de una rama que estés recortando. Mantén a los espectadores lejos. No te pongas en una escalera u otro tipo de soporte inestable mientras usas el dispositivo. No uses el dispositivo cerca de cables, líneas eléctricas o telefónicas. Mantente a 3 m (10 pies) de distancia de todas las líneas eléctricas.



**ADVERTENCIA:** Siempre usa un casco al cortar por encima de la altura de tu cabeza, de lo contrario puedes lastimarte con las ramas que caen.

- 1) Usa ambas manos para sujetar el recortasetos de pértiga. Mantén un agarre firme. Los pulgares y los dedos deben envolver el mango y la pértiga del recortasetos.
- 2) Asegúrate de tener un buen apoyo. Mantén los pies separados. Distribuye tu peso uniformemente en ambos pies.
- 3) Enciende el producto según se describe en el capítulo "Encendido y apagado". Asegúrate de que la cuchilla esté funcionando a máxima velocidad antes de comenzar a cortar.
- 4) Para el corte horizontal, puedes lograr el mejor rendimiento de corte ajustando el ángulo del recortasetos de pértiga (Consulta el capítulo "Ajuste del ángulo de la cabeza del recortasetos de pértiga") para que la cuchilla se incline ligeramente hacia abajo al cortar.
- 5) Al recortar los lados de un seto, comienza desde abajo y corta hacia arriba.

## 10. USO DEL BORDEADOR



**ADVERTENCIA:** Mientras estás bordeando, permite que solo la punta de la cuchilla haga contacto con el área que se está trabajando. No fuerces la cuchilla.

La rueda del bordeador ayuda a proteger la unidad y a evitar que la unidad entre en contacto con el suelo. Ten especial cuidado al bordear, ya que los objetos pueden ser lanzados desde la cuchilla.

- 1) Sostén el dispositivo con la mano derecha en el mango trasero y la mano izquierda en el mango en forma de P.
- 2) Asegúrate de tener un buen apoyo. Mantén los pies separados. Distribuye tu peso uniformemente en ambos pies.
- 3) Enciende el producto según se describe en el capítulo "Encendido y apagado".
- 4) Ajusta la altura del bordeador según se describe en el capítulo "Ajuste de la profundidad del bordeador" según sea necesario.
- 5) El bordeador se utilizará entre aceras, entradas de vehículos, parterres, bordillos y áreas similares.
- 6) Corta a un ritmo constante. Si la cuchilla comienza a ralentizarse, estás bordeando demasiado rápido; reduce tu ritmo. No fuerces la cuchilla hacia el suelo.
- 7) El contacto ligero de la cuchilla contra el borde de la acera, el bordillo, etc., es aceptable y no dañará el bordeador.
- 8) Se obtendrá el mejor rendimiento cuando el césped esté seco. Evita bordear en suelo húmedo o áreas de césped húmedo, o la cubierta de la cuchilla podría obstruirse y dar como resultado un borde desigual. Si la cubierta de la cuchilla está obstruida, detén la máquina, retira el paquete de batería y luego elimina los residuos de la cubierta de la cuchilla.



## MANTENIMIENTO



**ADVERTENCIA:** El arranque accidental de los dispositivos puede provocar lesiones graves. Retire los paquetes de baterías después de cada uso y antes de cualquier mantenimiento. Utilice guantes protectores.



**ADVERTENCIA:** Al realizar tareas de mantenimiento, utilice únicamente piezas de repuesto idénticas. El uso de cualquier otra pieza puede crear un peligro o causar daños al producto. Para garantizar la seguridad y confiabilidad, todas las reparaciones deben ser realizadas por un técnico de servicio calificado.

### 1. REEMPLAZO DEL HILO

#### a. Reemplazo del carrete y línea completo

Para su conveniencia, se recomienda comprar el carrete y la línea completos.

- 1) Presiona y sostén las dos pestillas de liberación del tapón. Gira en sentido antihorario y retira el tapón del soporte del carrete. (Fig. 01)
- 2) Retira el carrete viejo. Luego, coloca el nuevo carrete en la cabeza de corte. Libera una línea del tope y alimenta la línea a través del ojal. Repite para la segunda línea. (Fig. 02)
- 3) Vuelve a colocar el tapón, presionando firmemente hacia abajo hacia el soporte del carrete para asegurarte de que el tapón esté completamente colocado. Verifica que el tapón esté correctamente ajustado intentando quitarlo sin presionar las dos pestillas.

#### b. Reemplazo solo del hilo



**ADVERTENCIA:** Tu recortadora está diseñada para usar solo hilo con un diámetro máximo de 2.0 mm. Siempre enrolla el hilo en la sección superior del carrete primero.

- 1) Retira el tapón del carrete como se describe en el capítulo "Para reemplazar el carrete y la línea completos". (Fig. 01)
- 2) Retira cualquier línea existente que sobresalga de los ojales en el ensamblaje del carrete.
- 3) Corta un trozo de línea de nylon con un diámetro de 2.0 mm a una longitud de 2.5 m, asegurándote de que la línea esté cortada limpiamente. Si los primeros 150 mm de línea están curvados, intenta enderezar la línea lo más posible para introducirla en el carrete.
- 4) Inserta 1.25 m de línea en uno de los agujeros en la sección superior del carrete y enrolla la línea en la dirección de las flechas en la parte superior del carrete. Deja aproximadamente 1.25 m de línea sin enrollar y colócala en el tope. Repite en la sección inferior del carrete. (Fig. 03, 04)
- 5) Tira de la línea a través del carrete para que las dos longitudes de línea que se extienden desde cada ojal tengan la misma longitud. (Fig. 05)
- 6) Se debe tener cuidado para asegurarse de que la línea esté enrollada ordenadamente en el carrete. No hacerlo así afectará la eficiencia.
- 7) Gira la perilla de golpe (52) en dirección horaria; también en la dirección de la flecha de rotación en la perilla de golpe (52). A medida que se gira la perilla de golpe (52), la línea será atraída uniformemente hacia el carrete y se enrollará uniformemente en su lugar. Continúa enrollando la línea en el carrete hasta que aproximadamente 100 mm de línea sobresalga de los ojales. (Fig. 06)

**NOTA:** Una ligera presión hacia abajo en el carrete ayudará en la acción de rotación.

- 8) El carrete y la línea están ahora listos para su uso. Si el ensamblaje del carrete y la línea fue retirado del eje inferior para este proceso, asegúrate de que esté correctamente instalado según las instrucciones anteriores.

### 2. REEMPLAZO DE LA CADENA DE SIERRA

Reemplaza la cadena de sierra (25) cuando los cortadores estén demasiado desgastados para afilar o cuando la cadena de sierra se detenga. Utiliza solo la cadena de sierra de repuesto indicada en este manual.

Inspecciona la barra guía (26) antes de afilar la cadena de sierra. Una barra guía gastada o dañada no es segura. Una barra guía gastada o dañada dañará la cadena de sierra. También hará que el corte sea más difícil.



**ADVERTENCIA:** Retira los paquetes de baterías antes de realizar el mantenimiento. Podría producirse una lesión grave o la muerte por descarga eléctrica o contacto corporal con la cadena de sierra en movimiento.



**ADVERTENCIA:** Usa guantes resistentes al realizar cualquier mantenimiento o servicio a este dispositivo.

- 1) Coloca el dispositivo sobre una superficie sólida y nivelada.
- 2) Afloja la tuerca de bloqueo de la cubierta de la cadena (30) girándola en sentido contrario a las agujas del reloj con la llave (10 mm) (41) proporcionada; quita la cubierta de la cadena (27) para exponer la barra guía (26). (Fig. P1)
- 3) Retira la antigua barra guía y la cadena de sierra. (Fig. P2)
- 4) Desliza la nueva cadena de sierra en la ranura alrededor de la barra guía. Asegúrate de que la cadena esté en la dirección correcta comparándola con el icono de la cadena de sierra en la carcasa.
- 5) Coloca la cadena de sierra en el piñón (36). Asegúrate de que la placa de tensión de la barra esté hacia afuera. (Fig. P3)
- 6) Asegúrate de que todas las piezas estén colocadas correctamente. Asegúrate de que los eslabones de transmisión estén completamente asentados en el piñón (36), evita colocar la cadena de sierra en la dirección incorrecta. Si se produce un pliegue, levanta la cadena de sierra en la barra guía justo antes del pliegue y luego tira del pliegue hacia afuera.
- 7) Usa la llave hexagonal de 4 mm (44) proporcionada para tensar la cadena de sierra girando la llave hexagonal de 4 mm (44) en sentido horario, o aflojar la cadena girándola en sentido contrario a las agujas del reloj. La tensión correcta de la cadena se alcanza cuando la cadena puede levantarse aproximadamente 3-5 mm desde la barra guía en el centro. Esto debe hacerse levantando la cadena de sierra con una mano contra el peso de la máquina. No tensa la cadena de sierra demasiado. (Fig. P4, P5)
- 8) Coloca la cubierta de la cadena (27) y aprieta la cubierta de la cadena (27) girando la tuerca de bloqueo de la cubierta de la cadena (30) con la llave (10 mm) (41) proporcionada en sentido horario hasta que esté apretada. (Fig. P6)
- 9) Si la cadena de sierra sigue suelta o demasiado ajustada, usa la llave hexagonal de 4 mm (44) para ajustar ligeramente la cadena de sierra.

### 3. LUBRICACIÓN DE LA CADENA DE SIERRA



**ADVERTENCIA:** Los bordes de corte en la cadena de sierra son afilados. Usa guantes protectores al manipular la cadena de sierra.

Mantén la cadena de sierra afilada. Tu sierra de pértiga cortará más rápido y de manera más segura. Una cadena de sierra desafilada causará un desgaste excesivo del piñón, la barra guía, la cadena de sierra y el motor. Cuando el corte produzca poco

serrín o la máquina sea difícil de cortar, la cadena de sierra estará desafilada.

**NOTA:** No es necesario quitar la cadena de sierra (25) o la barra guía (26) al lubricar la barra guía, la cadena de sierra y el piñón.

- 1) Limpia la barra guía y el piñón.
- 2) Utilizando una pistola de grasa, inserta la punta de la pistola en el agujero de lubricación (d) e inyecta grasa hasta que aparezca en el borde exterior de la punta del piñón. (Fig. Q)
- 3) Para girar el piñón, tira de la cadena de sierra con la mano hasta que el lado sin engrasar del piñón esté alineado con el agujero de grasa. Repite el procedimiento de lubricación.

#### 4. MANTENIMIENTO DE LA BARRA GUÍA

Para maximizar la vida útil de la barra guía, se recomienda el siguiente mantenimiento de la barra.

Los raíles de la barra que llevan la cadena deben limpiarse antes de guardar la herramienta o si la barra o la cadena parecen estar sucias.

Los raíles deben limpiarse cada vez que se quite la cadena.

#### Para limpiar los raíles de la barra:

- 1) Retira la cubierta de la cadena y la barra y la cadena.
- 2) Utilizando un cepillo de alambre, un destornillador o una herramienta similar, elimina los residuos de la ranura interior de la barra.
- 3) Asegúrate de limpiar completamente los pasajes de aceite.

#### 5. LUBRICACIÓN DE LAS CUCHILLAS DEL RECORTASETOS DE PÉRTIGA

Para facilitar el funcionamiento y prolongar la vida útil, lubrique las cuchillas de corte antes y después de cada uso. Antes de lubricar, asegúrate de haber retirado los paquetes de baterías del recortasetos de pértiga. Aplica el aceite para que corra entre las dos cuchillas. (Fig. R)

Tu recortadora debe detenerse y aceitarse ocasionalmente durante el uso.

#### REEMPLAZO DE LA CUCHILLA DEL BORDEADOR

 **ADVERTENCIA:** Usa guantes resistentes al realizar cualquier mantenimiento o servicio a este dispositivo.

Reemplaza la cuchilla del bordeador (21) cuando los cortadores estén demasiado desgastados para bordear. Utiliza solo la cuchilla de bordeador de repuesto indicada en este manual.

- 1) Coloca el dispositivo sobre una superficie sólida y nivelada.
- 2) Inserta la llave hexagonal (44) a través del agujero debajo de la cuchilla del bordeador (21) para fijar el husillo en posición de manera segura. Luego, retira la tuerca de bloqueo de la cubierta de la cuchilla del bordeador (51) con una llave (17 mm) (no proporcionada) girándola en sentido horario. (Fig. S1)
- 3) Retira la cubierta de la cuchilla del bordeador (50), la brida interna (e) y la antigua cuchilla del bordeador (21) del husillo. (Fig. S2)
- 4) Coloca la nueva cuchilla del bordeador en el husillo y luego coloca la brida interna (e) con el resalte en la parte superior de la nueva cuchilla del bordeador.
- 5) Coloca la cubierta de la cuchilla del bordeador (50) con la abertura hacia abajo sobre la brida interna (e) en el husillo. (Fig. S3)
- 6) Inserta la tuerca de bloqueo de la cubierta de la cuchilla del bordeador (51) sobre la cubierta de la cuchilla del bordeador (50), en el husillo y apriétala girándola en sentido contrario a las agujas del reloj con la llave (17 mm) (no proporcionada). (Fig. S1)

## LIMPIEZA



**ADVERTENCIA:** El agua u otros líquidos que hayan entrado en la carcasa pueden provocar un cortocircuito. No sumerja el producto en agua u otros líquidos.



**ADVERTENCIA:** Asegúrese de que no entre agua u otros líquidos en la carcasa.



**ADVERTENCIA:** No utilice agentes de limpieza agresivos, cepillos con cerdas de metal o nailon, ni objetos de limpieza metálicos o afilados como cuchillos, espátulas duras y similares. Estos pueden dañar las superficies.



**ADVERTENCIA:** Limpiar a fondo el producto, especialmente los dispositivos de corte, después de cada uso y dejar secar todas las piezas. De lo contrario, los residuos vegetales húmedos pueden endurecerse o empezar a enmohecerse y ser difíciles de eliminar.

- 1) Apaga el producto. Espera hasta que el dispositivo se detenga por completo.
- 2) Retira los paquetes de baterías.
- 3) Elimina todos los residuos vegetales con un cepillo de mano o un cepillo.
- 4) Limpia todas las superficies lisas con un paño húmedo.
- 5) Limpia la carcasa con un paño suave o un cepillo.

## ALMACENAMIENTO

- 1) Retira los paquetes de baterías.
- 2) Limpia el producto según se describió anteriormente.
- 3) Almacena el producto y sus accesorios en un lugar seco, libre de heladas y bien ventilado. Protege el producto de la luz solar directa.
- 4) Siempre guarda el producto en un lugar inaccesible para los niños. La temperatura de almacenamiento ideal está entre 5 y 20 °C.
- 5) Recomendamos usar el embalaje original para el almacenamiento o cubrir el producto con un paño o cubierta adecuados para protegerlo del polvo.

## TRANSPORTE

- 1) Apaga el producto y retira los paquetes de baterías antes de transportarlo.
- 2) Coloca los protectores de transporte para los medios de corte del recortasetos de pértiga, cortabordes y sierra de pértiga.
- 3) Siempre lleva el producto por sus asas.
- 4) Protege el producto de cualquier impacto fuerte o vibraciones intensas que puedan ocurrir durante el transporte en vehículos.
- 5) Asegura el producto para evitar que se deslice o vuelque.

## MANTENIMIENTO

**Retire el pack de batería del taladro antes de realizar ajustes.**

Su herramienta eléctrica no requiere de lubricación ni mantenimiento adicional.

No posee piezas en su interior que deban ser reparadas por el usuario. Nunca emplee agua o productos químicos para limpiar su herramienta. Use simplemente un paño seco. Guarde siempre su herramienta en un lugar seco. Mantenga limpias las ranuras de ventilación del motor. Mantenga todos los controles de

funcionamiento libres de polvo. La observación de chispas que destellan bajo las ranuras de ventilación indica un funcionamiento normal que no dañará su herramienta.

### Para las herramientas a batería

El rango de temperatura ambiente de funcionamiento y almacenamiento para la herramienta y la batería es de 0°C-45°C. El rango de temperatura ambiente recomendado para el Sistema de carga durante el proceso de carga es de 0°C-40°C.

## ENROTECCIÓN AMBIENTAL



Los residuos de aparatos eléctricos y electrónicos no deben depositarse en la basura doméstica. Se deben reciclar en las instalaciones especializadas. Consulte a las autoridades locales o el establecimiento para saber cómo reciclar estos productos.

## SOLUCIÓN DE PROBLEMAS

	Problema	Causa posible	Solución
Recortadora de línea	1. El dispositivo no arranca.	1. Las baterías están descargadas.	1. Cargue las baterías.
	2. Corte de mala calidad del cortabordes.	2.1 Corte sobrecargado por hierba demasiado alta. 2.2 Vegetación envuelta en la herramienta de corte. 2.3 La línea no avanzará. 2.4 Línea soldada a sí misma.  2.5 No hay suficiente hilo en el carrete.  2.6 Línea desgastada demasiado corta.  2.7 Línea enredada en el carrete.	2.1 Corte el césped alto de arriba hacia abajo.  2.2 Limpiar el material del carrete y del hilo.  2.3 Avanza las líneas manualmente. 2.4 Abra el conjunto de carrete y hilo y asegúrese de que los hilos no se hayan cruzado ni enredado. NOTA: Asegúrese siempre de retirar los paquetes de baterías antes de realizar esta tarea. 2.5 Avance las líneas manualmente o instale más líneas. NOTA: Asegúrese siempre de retirar los paquetes de baterías antes de realizar esta tarea. 2.6 Tire de las líneas mientras presiona y suelta alternativamente la perilla de tope. 2.7 Retire el hilo del carrete y rebobine.
Desbrozadora	1. El dispositivo no arranca.	1. Las baterías están descargadas.	1. Cargue los paquetes de baterías.
	2. La cuchilla de la desbrozadora gira al ralentí.	2. La hoja no está bien colocada.	2. Asegúrese de que la tuerca de la hoja esté apretada.
Motosierra de pértiga	1. El dispositivo no arranca.	1. Las baterías están descargadas.	1. Cargue las baterías.
	2. La cadena está seca.	2.1 No hay aceite en el tanque de aceite. 2.2 Ventilación en la tapa de llenado de aceite obstruida. 2.3 Paso de aceite obstruido.	2.1 Recarga de aceite. 2.2 Tapa limpia.  2.3 Limpiar la salida del paso de aceite.
	3. La cadena y la barra están demasiado calientes.	3.1 No hay aceite en el depósito. 3.2 Ventilación en la tapa de llenado de aceite obstruida. 3.3 Paso de aceite obstruido. 3.4 La cadena está demasiado tensa. 3.5 Cadena desafilada.	3.1 Recarga de aceite. 3.2 Tapa limpia. 3.3 Limpiar la salida del paso de aceite. 3.4 Ajustar la tensión de la cadena. 3.5 Afíle la cadena o reemplácela.
	4. La motosierra se rompe, vibra y no corta correctamente.	4.1 Tensión de la cadena demasiado floja. 4.2 Cadena desafilada. 4.3 Cadena desgastada. 4.4 Los dientes de la cadena están orientados en la dirección incorrecta.	4.1 Ajustar la tensión de la cadena. 4.2 Afíle la cadena o reemplácela. 4.3 Reemplace la cadena. 4.4 Vuelva a ensamblar con la cadena en la dirección correcta.
Cortasetos de pértiga	1. El dispositivo no arranca.	1. Battery packs are flat.	1. Charge battery packs.
	2. El dispositivo es difícil de cortar.	2. La hoja está desafilada.	2. Lubrique la hoja.
Bordeadora	1. El dispositivo no arranca.	1. Las baterías están descargadas.	1. Cargue las baterías.



# DECLARACIÓN DE CONFORMIDAD

Los que reciben,  
POSITEC Germany GmbH  
Postfach 680194, 50704 Cologne, Germany

Declaran que el producto,  
Descripción: **HERRAMIENTA MULTIFUNCIÓN INALÁMBRICA PARA JARDÍN 5 EN 1**  
Modelo: **WS8198.1 (81- designación de la máquina, representante de la multiherramienta inalámbrica para jardín)**  
Función: **Recortar setos y arbustos/Cortar césped y vegetación suave similar, así como para recortar los bordes del césped/ Podar arbustos/Cortar ramas altas o fuera de alcance/Bordear alrededor de senderos, entradas de vehículos y camas de flores.**

Cumple con las siguientes Directivas,  
**2006/42/EC, 2014/30/EU, 2011/65/EU&(EU)2015/863, 2000/14/EC modificada por 2005/88/EC, (EU) 2023/1542, 2014/35/EU**

## Cortasetos de pértiga:

2000/14/EC modificada por 2005/88/EC:

- Procedimiento de evaluación de la conformidad de acuerdo con

### Annex V

- Nivel de presión acústica **91.76 dB(A)**  
- Nivel de intensidad acústica **95 dB(A)**

## Recortadora de línea:

2000/14/EC modificada por 2005/88/EC:

- Procedimiento de evaluación de la conformidad de acuerdo con

### Annex VI

- Nivel de presión acústica **94.01 dB(A)**  
- Nivel de intensidad acústica **96 dB(A)**

Nombre: Center for Testing and European Certificaton Ltd.

Dirección: 23 "Patriarh Evtimiy" Str., Stara Zagora 6000, Bulgaria

## Desbrozadora:

2000/14/EC modificada por 2005/88/EC:

- Procedimiento de evaluación de la conformidad de acuerdo con

### Annex V

- Nivel de presión acústica **95.85 dB(A)**  
- Nivel de intensidad acústica **99 dB(A)**

## Motosierra de pértiga:

2000/14/EC modificada por 2005/88/EC:

- Procedimiento de evaluación de la conformidad de acuerdo con

### Annex V

- Nivel de presión acústica **100.03 dB(A)**  
- Nivel de intensidad acústica **103 dB(A)**

El organismo notificado implicado:

Nombre: SGS Fimko Ltd (0598)

Dirección: Takomotie 8, FI-00380 Helsinki, Finland

Número de certificación: MD-505

## Bordeadora:

2000/14/EC modificada por 2005/88/EC:

- Procedimiento de evaluación de la conformidad de acuerdo con

### Annex V

- Nivel de presión acústica **92.92 dB(A)**  
- Nivel de intensidad acústica **96 dB(A)**


Normativas conformes a,  
**EN 62841-1, EN 62841-4-2, EN ISO 3744,**  
**EN IEC 55014-1, EN IEC 55014-2, EN IEC 63000**  
**EN ISO 11680-1, EN ISO 11806-1,**  
**EN 50636-2-91, ISO 11789,**  
**EN 62133-2, EN 60335-2-29, EN 62233, EN IEC 61000-3-2, EN**  
**61000-3-3, EN 62133-2**

La persona autorizada para componer el archivo técnico,

Nombre **Marcel Filz**

Dirección **Positec Germany GmbH**

Postfach 680194, 50704 Cologne, Germany



2024/05/11

Allen Ding

Ingeniero Jefe Adjunto. Pruebas y Certificación

Positec Technology (China) Co., Ltd

18, Dongwang Road, Suzhou Industrial

Park, Jianguo 215123, P. R. China





**WESCO**